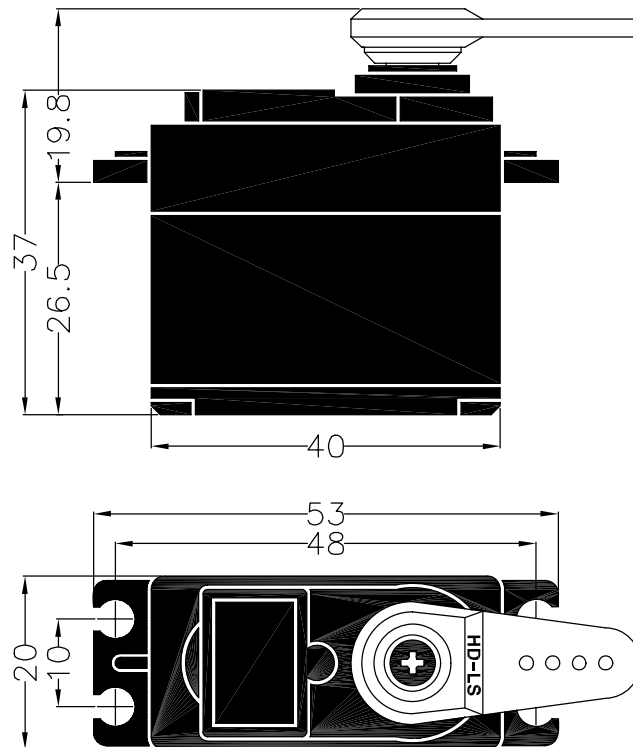


GENERAL SPECIFICATION OF HS-7966HB CORELESS DIGITAL SERVO

1. TECHNICAL VALUE

CONTROL SYSTEM	: ±PULSE WIDTH CONTROL 1500usec NEUTRAL	
OPERATING VOLTAGE RANGE	: 4.8V TO 6.0V	
OPERATING TEMPERATURE RANGE	: -20° C TO +60° C (-68° F TO +140° F)	
TEST VOLTAGE	: AT 4.8V	AT 6.0V
OPERATING SPEED	: 0.10sec/60° AT NO LOAD	0.08sec/60° AT NO LOAD
STALL TORQUE	: 6.6kg.cm(91.65oz.In)	8kg.cm(111.09oz.In)
STANDING TORQUE	: 8.6kg.cm(119.42oz.In)/5° HOLD OUT	10.4kg.cm(144.42oz.In)/50° HOLD OUT
IDLE CURRENT	: 9mA AT STOPPED	9mA AT STOPPED
RUNNING CURRENT	: 200mA/60° AT NO LOAD RUNNING	240mA/60° AT NO LOAD RUNNING
STALL CURRENT	: 2400mA	3000mA
DEAD BAND WIDTH	: 1usec	1usec
OPERATING TRAVEL	: 40° / ONE SIDE PULSE TRAVELING 400usec	
DIRECTION	: CLOCK WISE/PULSE TRAVELING 1500 TO 1900usec	
MOTOR TYPE	: CORELESS METAL BRUSH	
POTENTIOMETER TYPE	: 6 SLIDER/INDIRECT DRIVE	
AMPLIFIER TYPE	: DIGITAL AMPLIFIER WITH MOSFET DRIVE	
DIMENSIONS	: 40x20x37mm(1.57x0.78x1.45in)	
WEIGHT	: 53g(1.87oz)	
BALL BEARING	: DUAL/MR106	
GEAR MATERIAL	: HEAVY DUTY RESIN	
HORN GEAR SPLINE	: 24 SEGMENTS/∅5.76	
SPLINED HORNS	: HEAVY DUTY/HD-IL, HD-IS, HD-O, HD-LL, HD-LS	
CONNECTOR WIRE LENGTH	: 300mm(11.81in)	
CONNECTOR WIRE STRAND COUNTER	: 60EA	
CONNECTOR WIRE GAUGE	: 22AWG	



2. FEATURES

- PROGRAMMABLE DIGITAL AMPLIFIER WITH CORELESS MOTOR
- DURABLE HEAVY DUTY RESIN GEARS WITH BALL BEARINGS
- WATER & DUST TIGHT

3. APPLICATIONS

AIRCRAFT 20-60 SIZE, 60 SIZE HELICOPTERS, STEERING AND THROTTLE SERVO, TRUCK AND BOATS