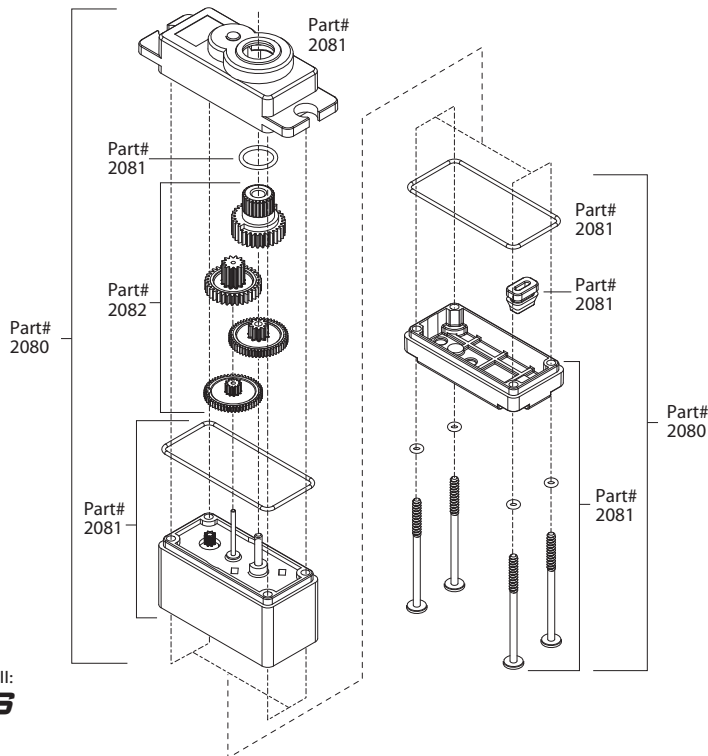
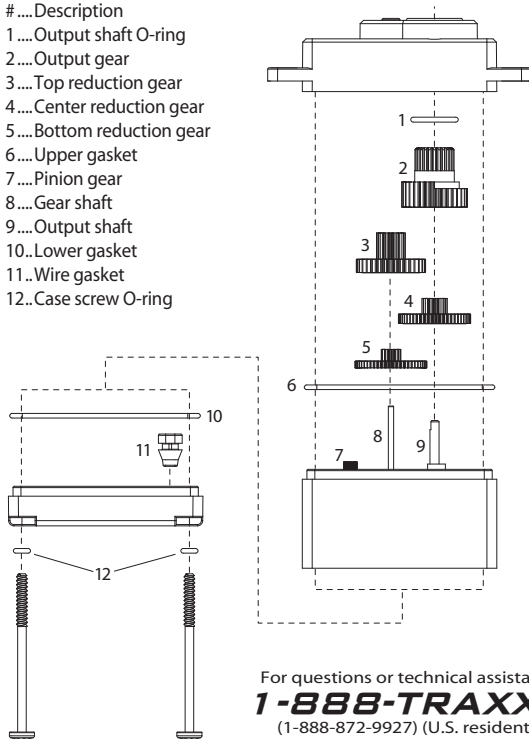




Micro Servo Gear Set Installation

Covers Parts #2081, 2082

- #Description
- 1Output shaft O-ring
- 2Output gear
- 3Top reduction gear
- 4Center reduction gear
- 5Bottom reduction gear
- 6Upper gasket
- 7Pinion gear
- 8Gear shaft
- 9Output shaft
- 10..Lower gasket
- 11..Wire gasket
- 12..Case screw O-ring



For questions or technical assistance, call:
1-888-TRAXXAS
(1-888-872-9927) (U.S. residents only)

TRAXXAS.COM

KC1192 Rev 090401