

SC8

SHORT COURSE

:: Instruction Manual

80924: AE Team RTR



80920: Red Bull RTR



80921: Lucas Oil RTR



80922: KMC RTR



80923: Bully Dog RTR

:: Introduction

Thank you for purchasing this Team Associated product. This manual contains instructions and tips for building and maintaining your new SC8. Please take a moment to read through it and familiarize yourself with these steps. We are continually changing and improving our designs; therefore, actual parts may appear slightly different than the illustrations. New parts will be noted on supplementary sheets located in the appropriate parts bags. Check each bag for these sheets before you start to build.

:: SC8 Features

- Aluminum Nyloc wheel nuts
- Tough, steel turnbuckles
- True-Lock kingpin system
- Hard coated shock bodies with 4mm shock shafts and rubber boots
- Durable, molded radio tray & antenna mount
- Sealed radio box
- 3mm 7075 aluminum front/rear shock towers
- Durable 10mm thick suspension arms
- Rubber CVA boots
- Anti-foaming fuel tank
- Low-profile, elliptical, high-flow two-stage air filter
- Fully functional roll cage with integrated dirt shields
- Independently adjustable front and rear disk brakes
- 150cc quick fill fuel tank
- Milled 3mm black hard coated 7075 aluminum chassis
- Full ball bearings in drive train and steering
- Precision universal drive shafts in six locations

:: Additional

Your SC8 RTR comes factory assembled including radio gear. However, there are some items you will need to complete your kit:

- AA-Size Batteries for Transmitter (x8)
- AA-Size Batteries for the onboard electronics (x4) (or a 4.8v-6.0v Receiver Battery Pack, 3x2 pack recommended, AE Part #614 Flat, 615 Hump)
- D-Size Battery for Glow Starter (x1)
- 6-Cell Sub-C Size Battery Pack for Pro-Start Starting Gun
- Charger for Battery Pack
- Model Car Fuel (20%-30% Nitro recommended)

:: Optional

Optional parts and gear to accessorize and maintain your SC8:

- Glow Starter (AE Part # 1738)
- Starter Box (AE Part # 1750)
- Cyanoacrylate glue (AE Part # 1597)
- Thread Locking Compound (AE Part # 1596)
- Silicone Shock Fluid (Refer to catalog for complete listings)
- Silicone Diff Fluid (Refer to catalog for complete listings)
- Body Scissors (AE Part # 1737)
- Reamer / Hole Punch
- Hex Wrenches (AE Part # 1541)
- Hobby Knife
- Needle Nose Pliers
- Wire Cutters
- Flat Blade Screwdriver (AE Part # 1552)
- Spring Hook Tool (AE Part # 1554)

**There is a 1:1 fold out
in the back of the manual.
Fold it out while building
your kit for easy parts sizing!**

SC8

SHORT COURSE



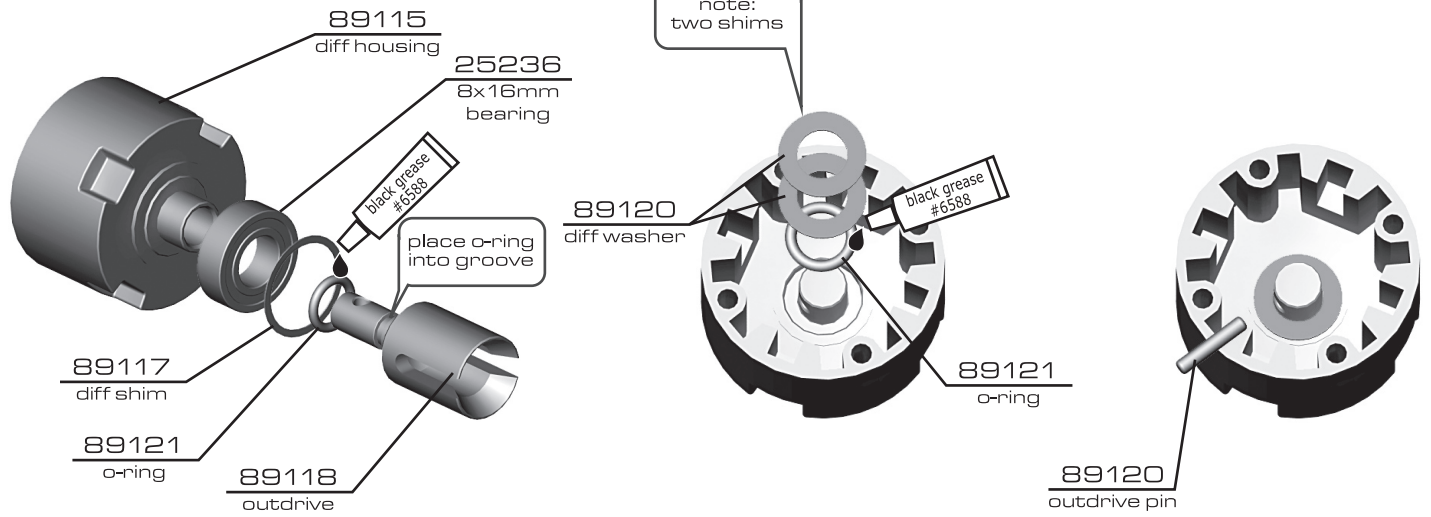
Associated Electrics, Inc.
26021 Commercentre Dr.
Lake Forest, CA 92630



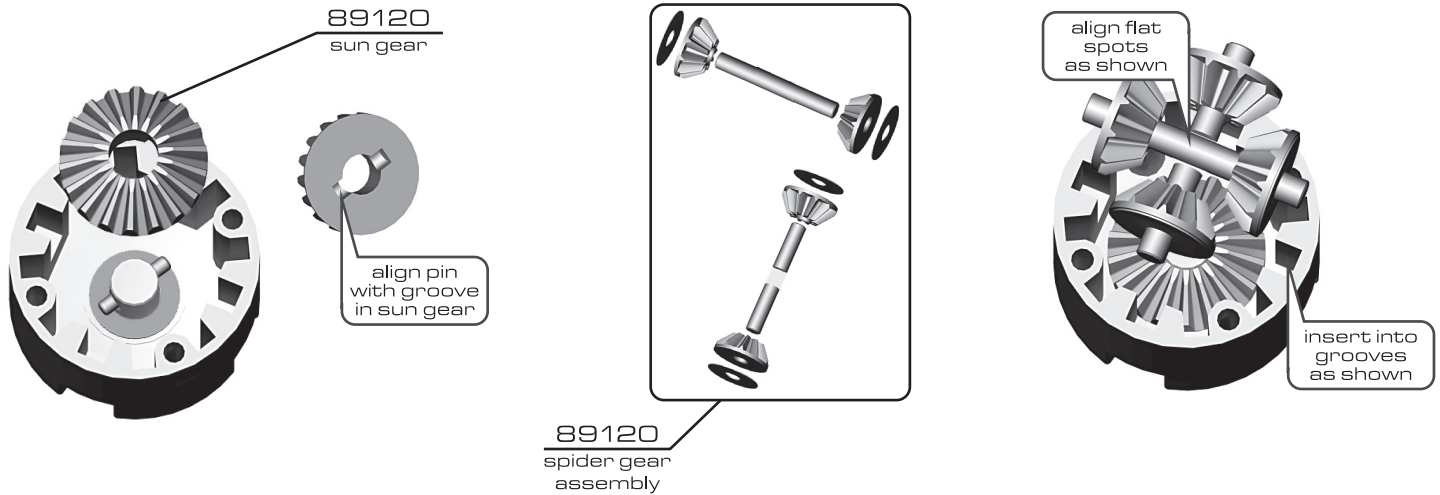
<http://www.TeamAssociated.com> • <http://www.RC10.com>

Customer Service
Tel: 949.544.7500
Fax: 949.544.7501

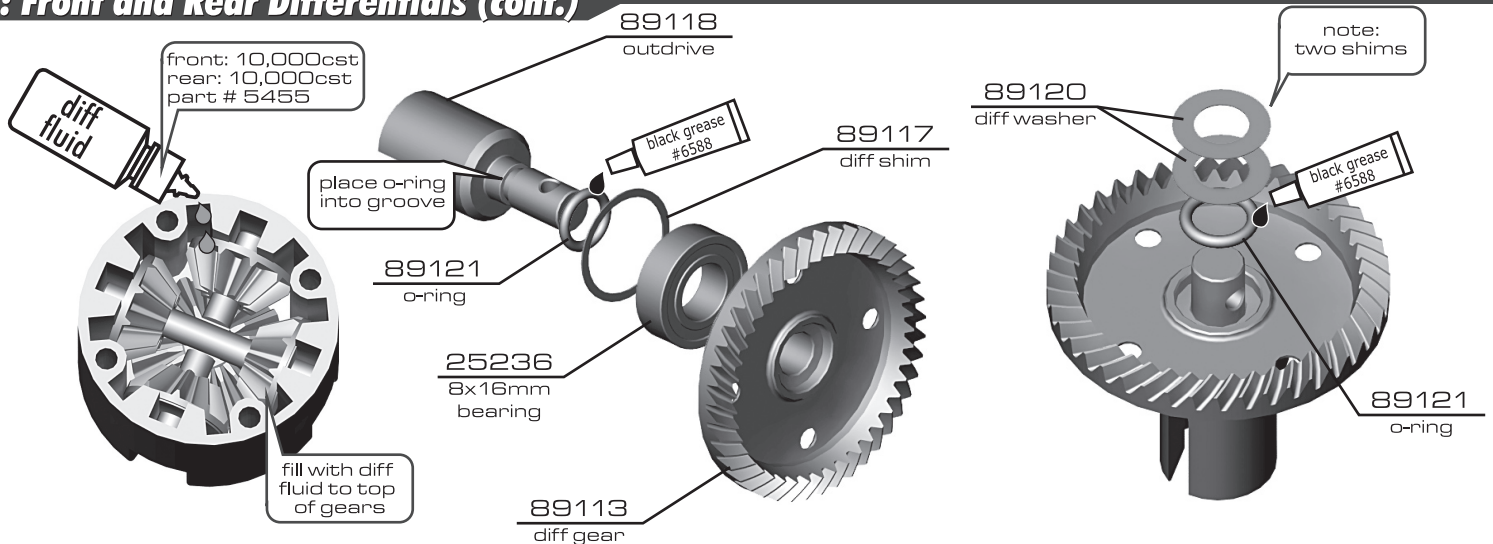
:: Front and Rear Differentials



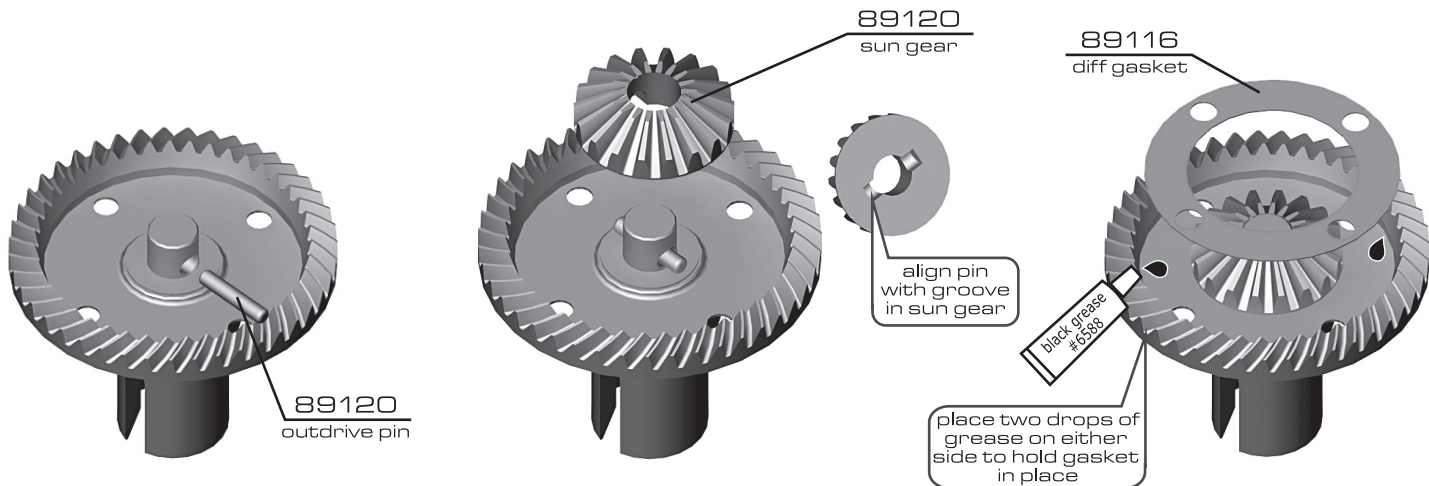
:: Front and Rear Differentials (cont.)



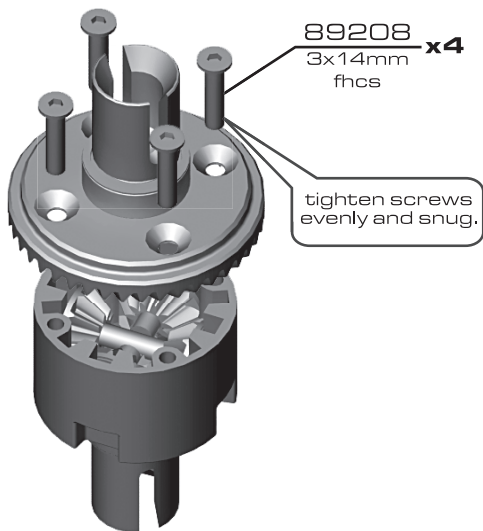
:: Front and Rear Differentials (cont.)



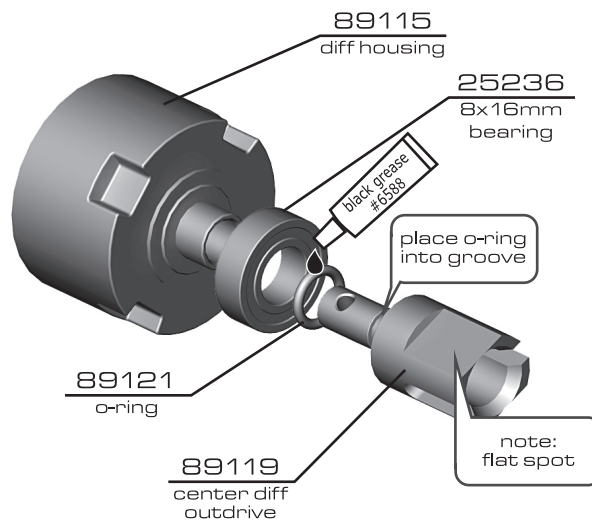
:: Front and Rear Differentials (cont.)



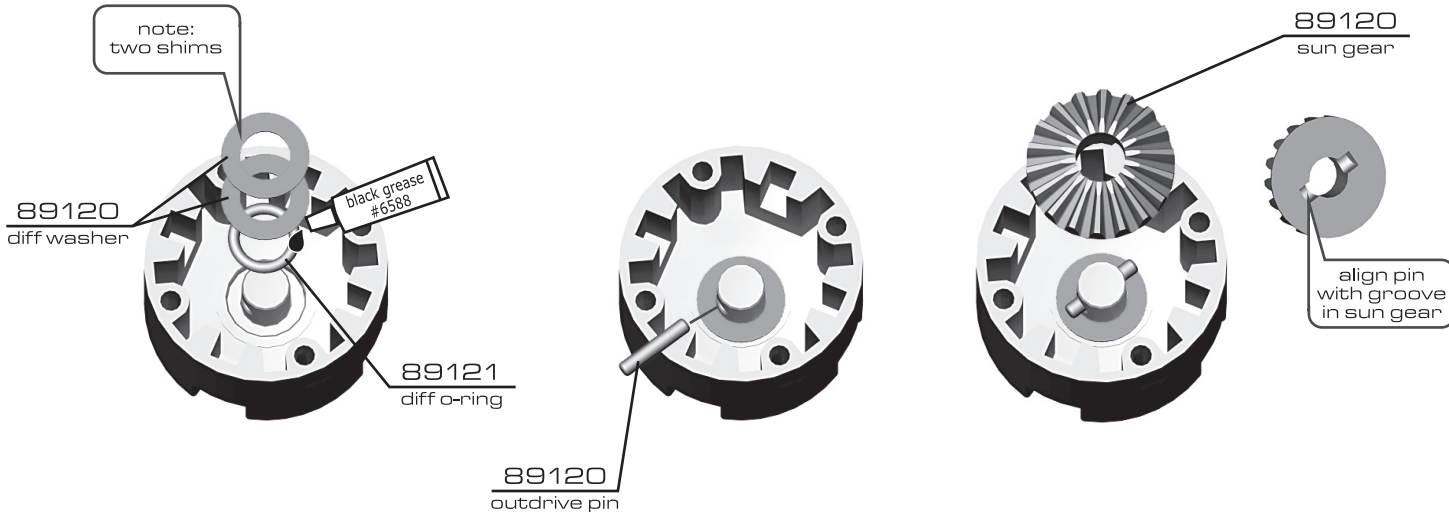
:: Front and Rear Differentials (cont.)



:: Center Differential



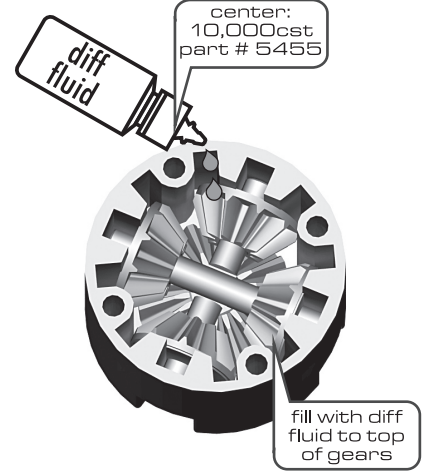
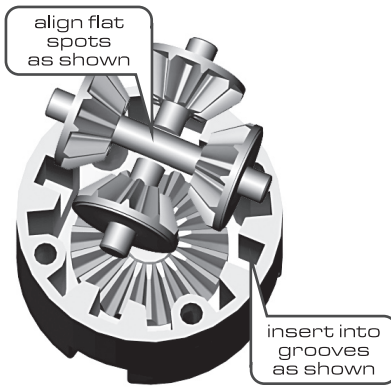
:: Center Differential (cont.)



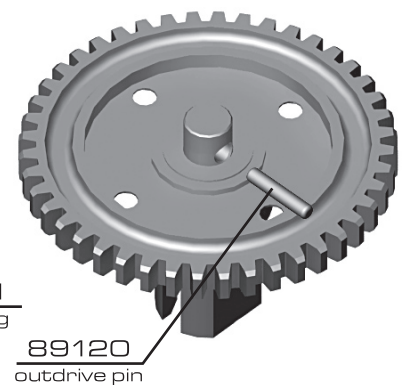
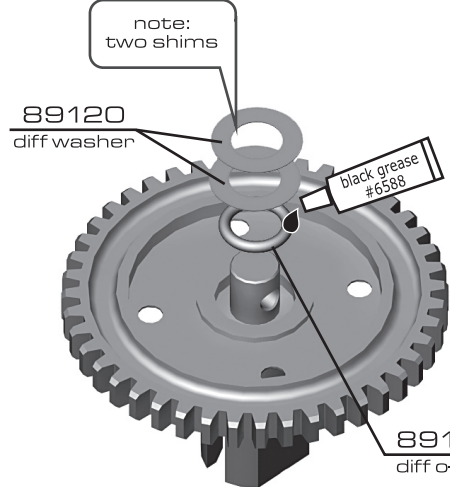
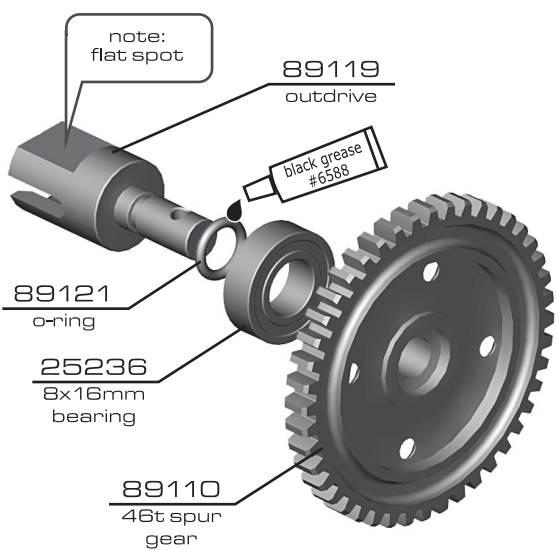
:: Center Differential (cont.)



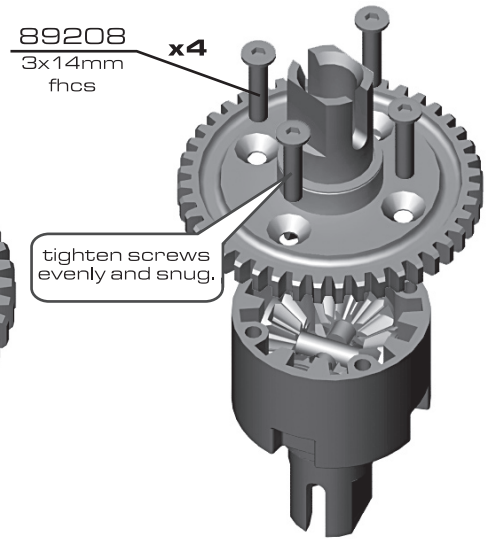
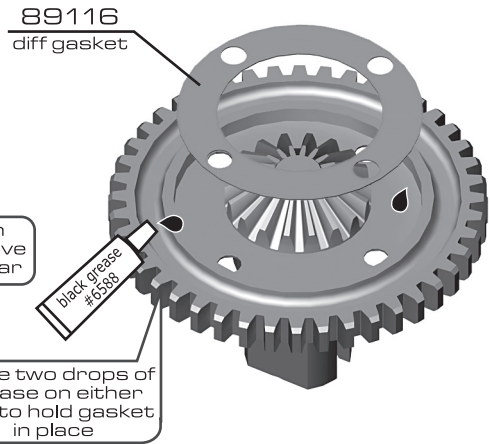
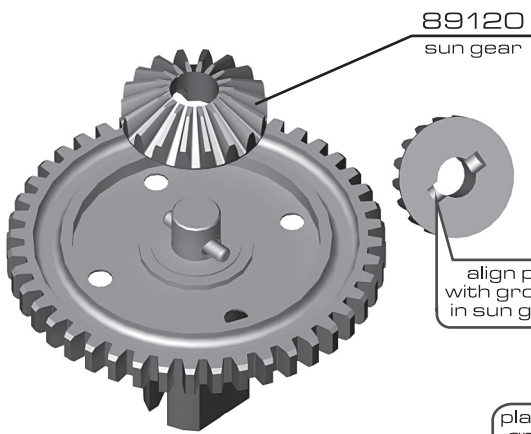
89120
spider gear
assembly



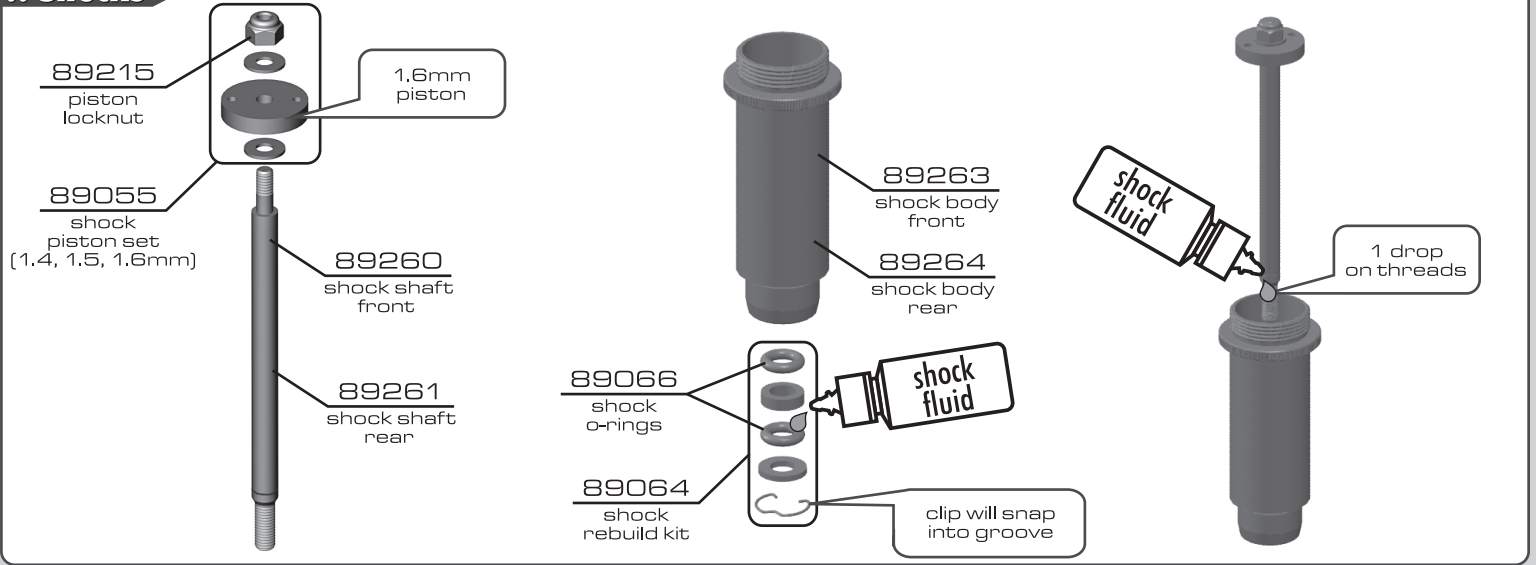
:: Center Differential (cont.)



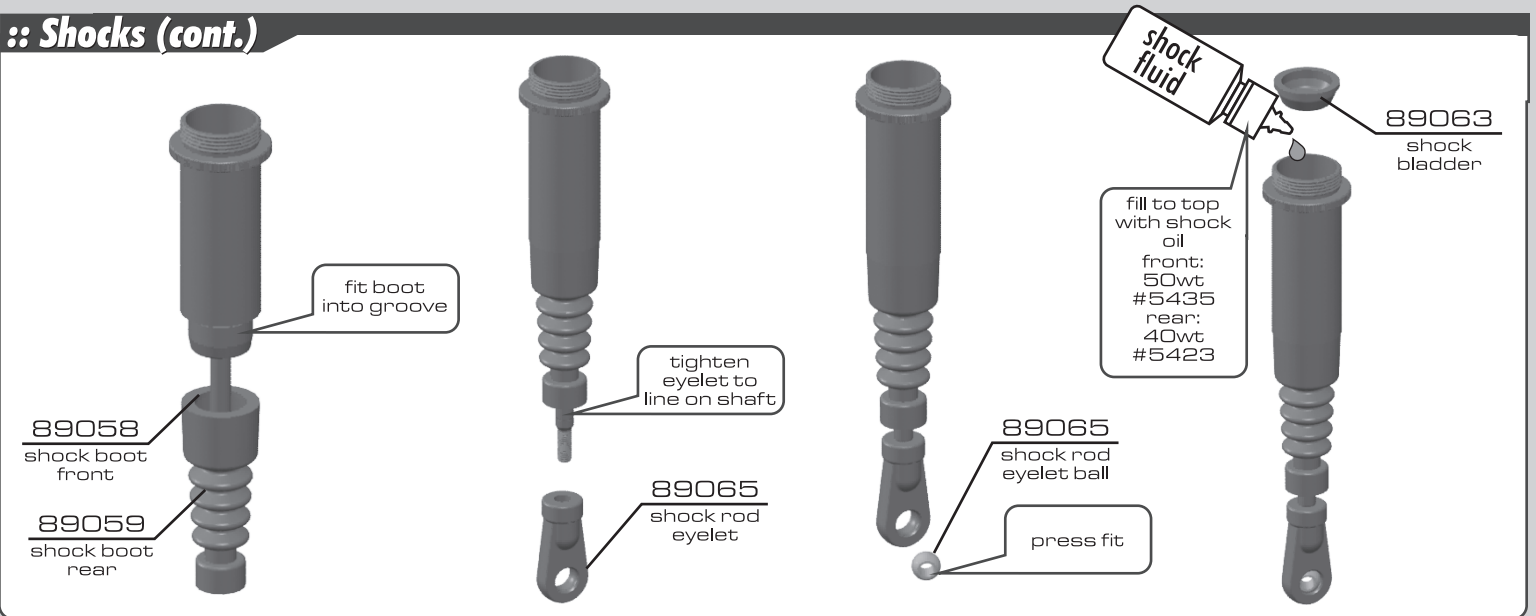
:: Center Differential (cont.)



:: Shocks

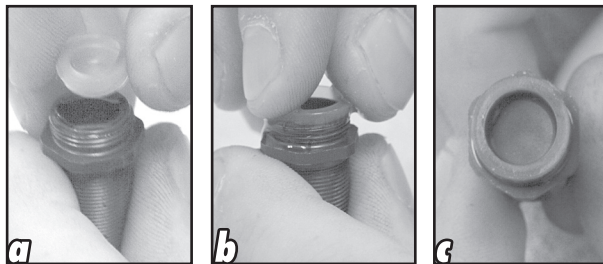


:: Shocks (cont.)

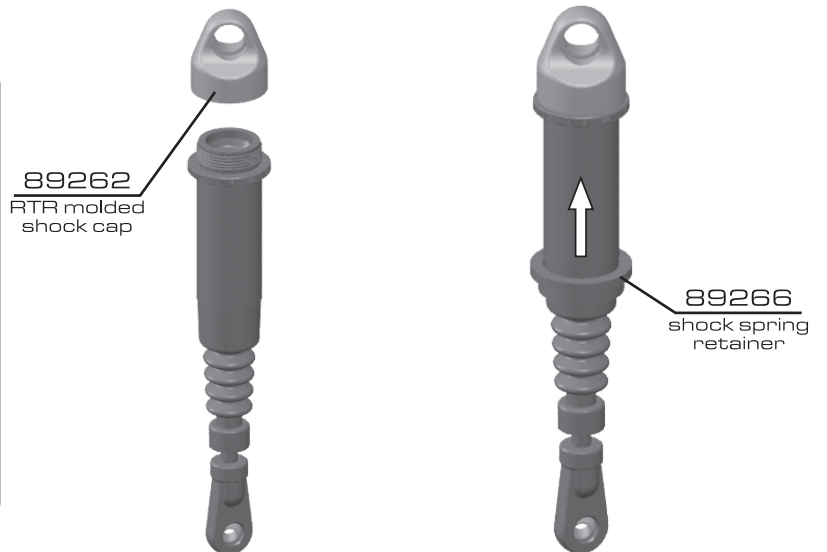


:: Shocks (cont.)

Bladder installation



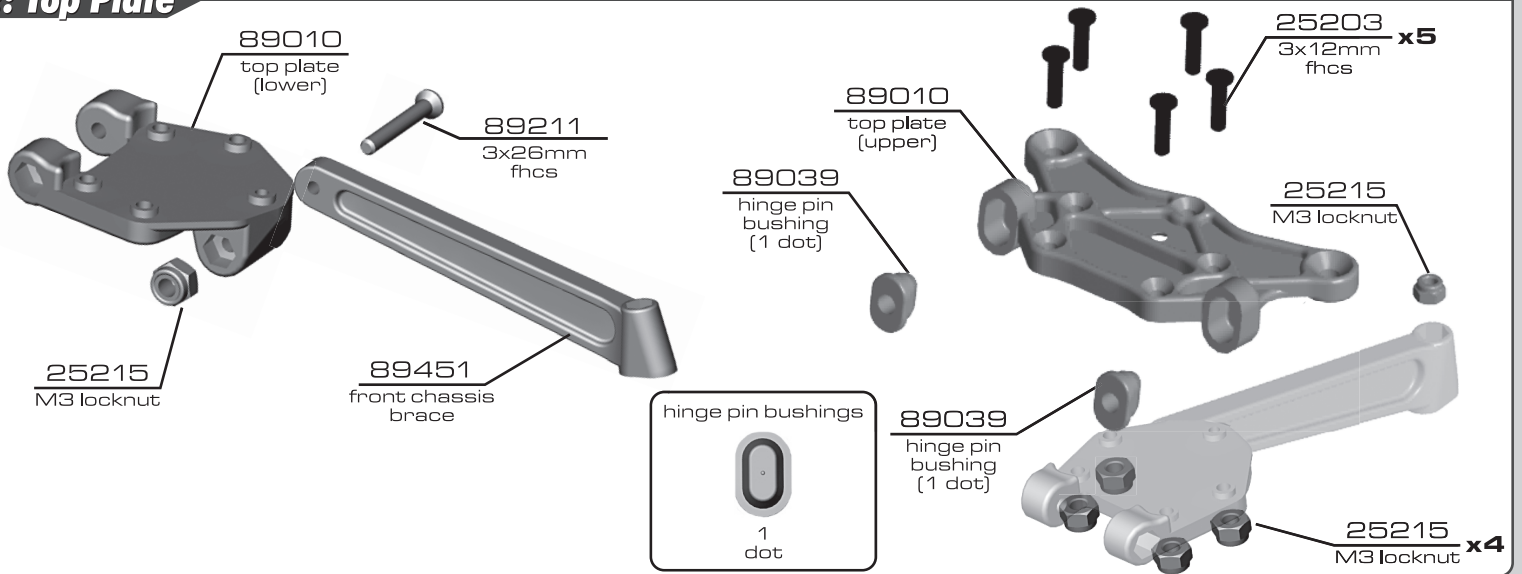
With the shaft fully extended, place bladder onto the top of the shock body (a), displacing the extra fluid (b). Make sure there are no air bubbles under the bladder (c). If there are, gently lift one side of the bladder to allow air bubbles to escape.



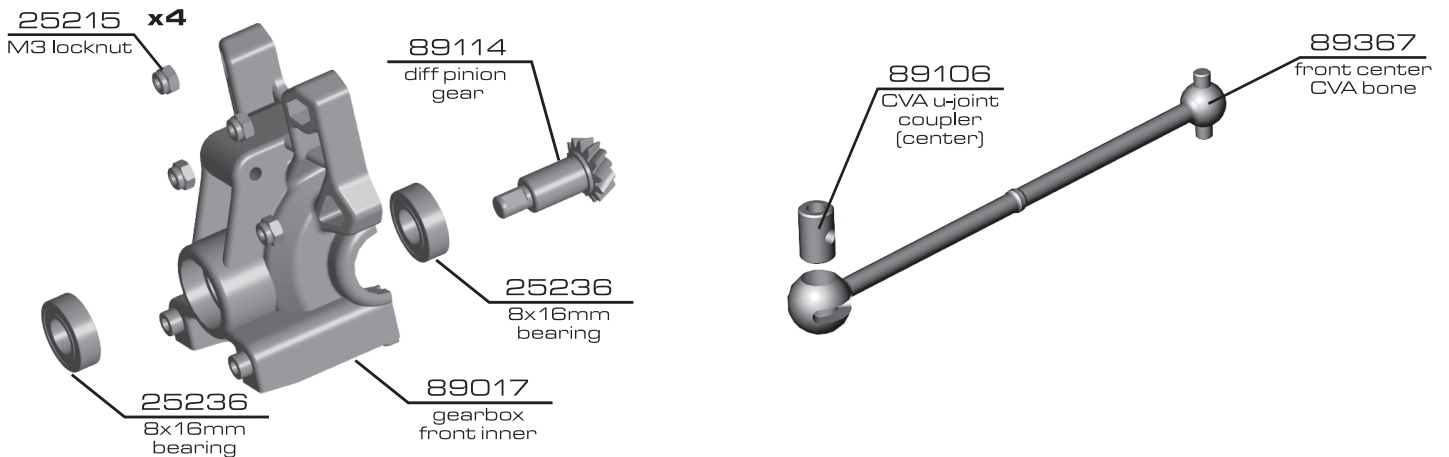
:: Shocks (cont.)



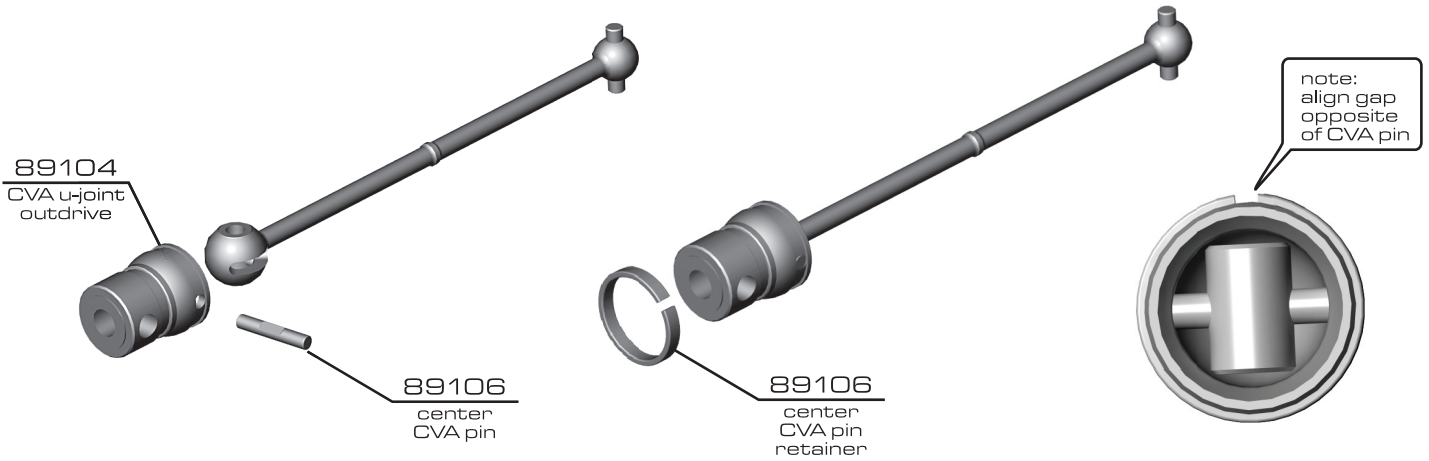
:: Top Plate



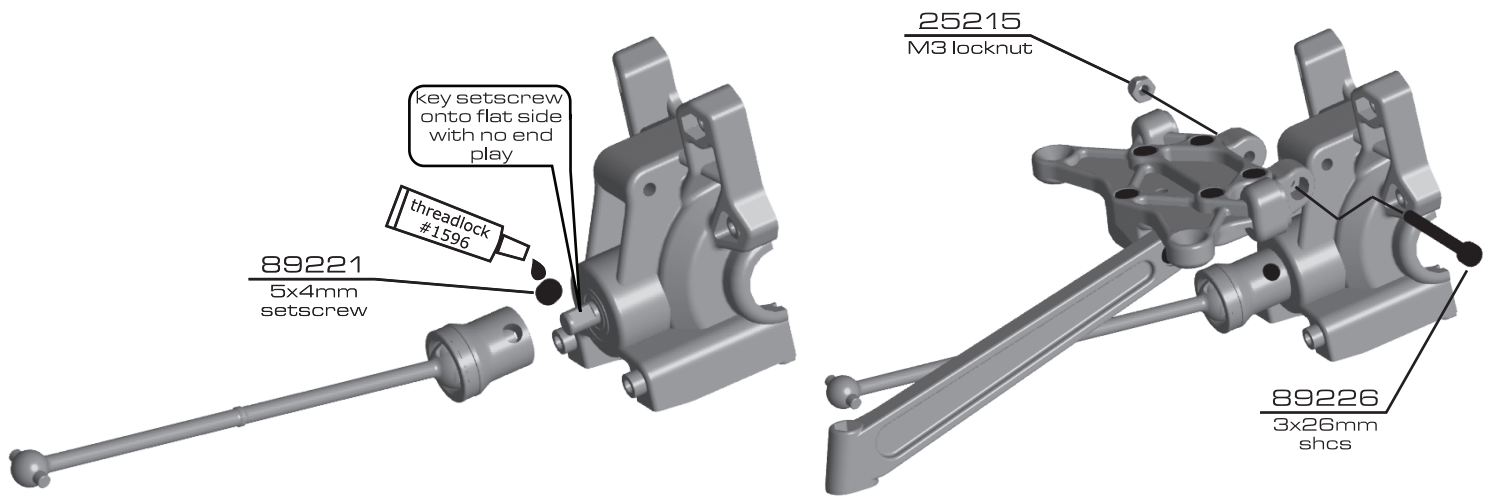
:: Front Gearbox



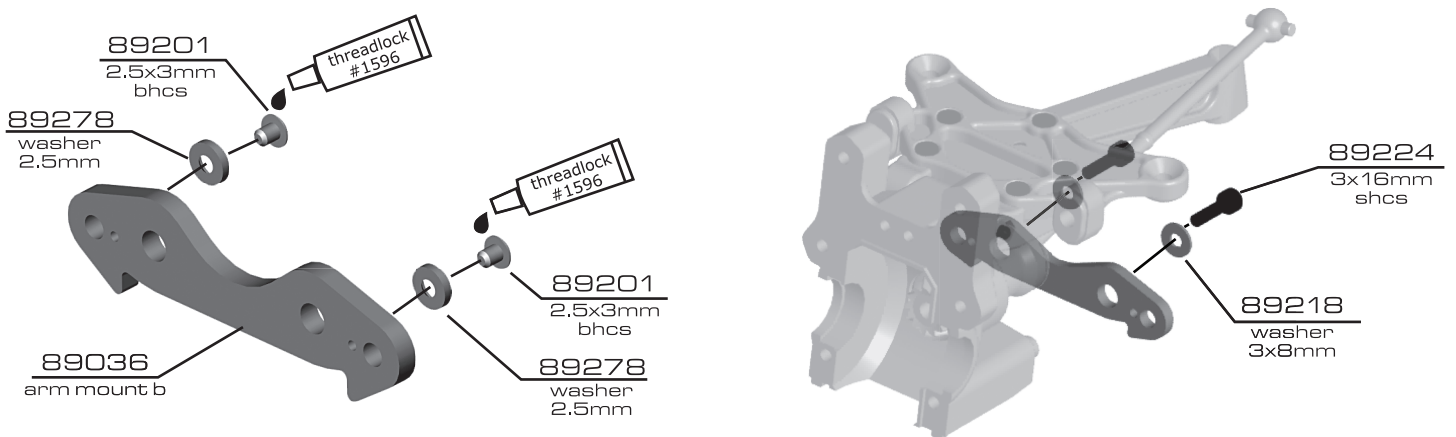
:: Front Gearbox (cont.)



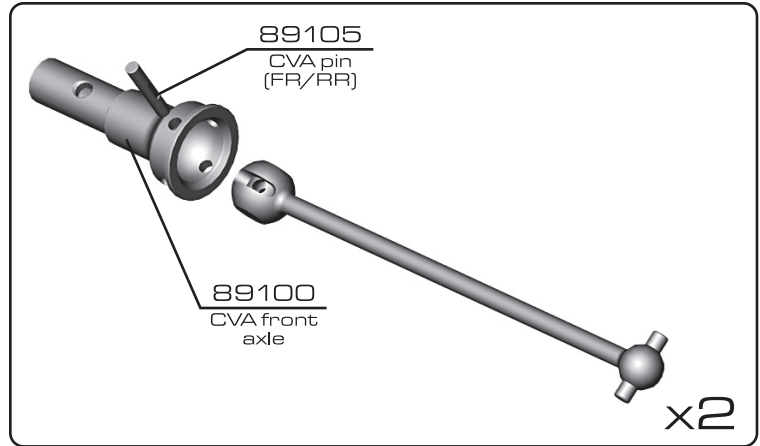
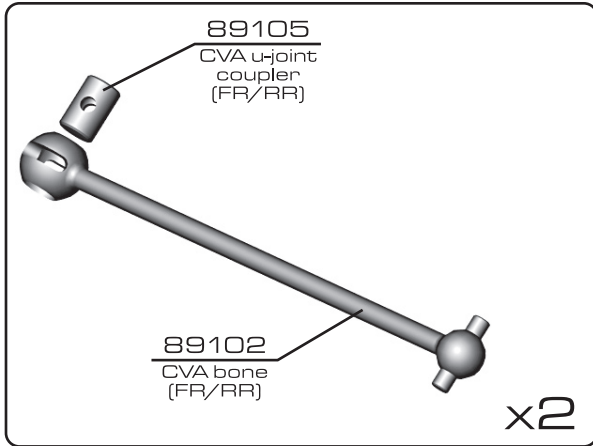
:: Front Gearbox (cont.)



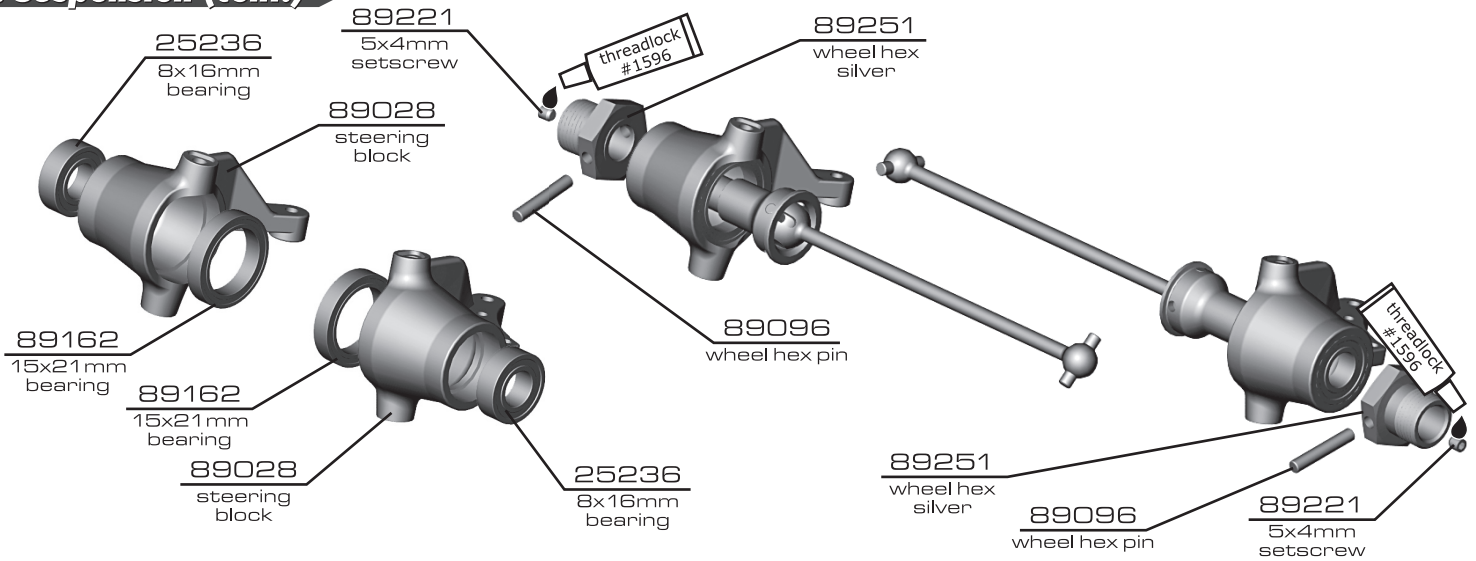
:: Front Gearbox (cont.)



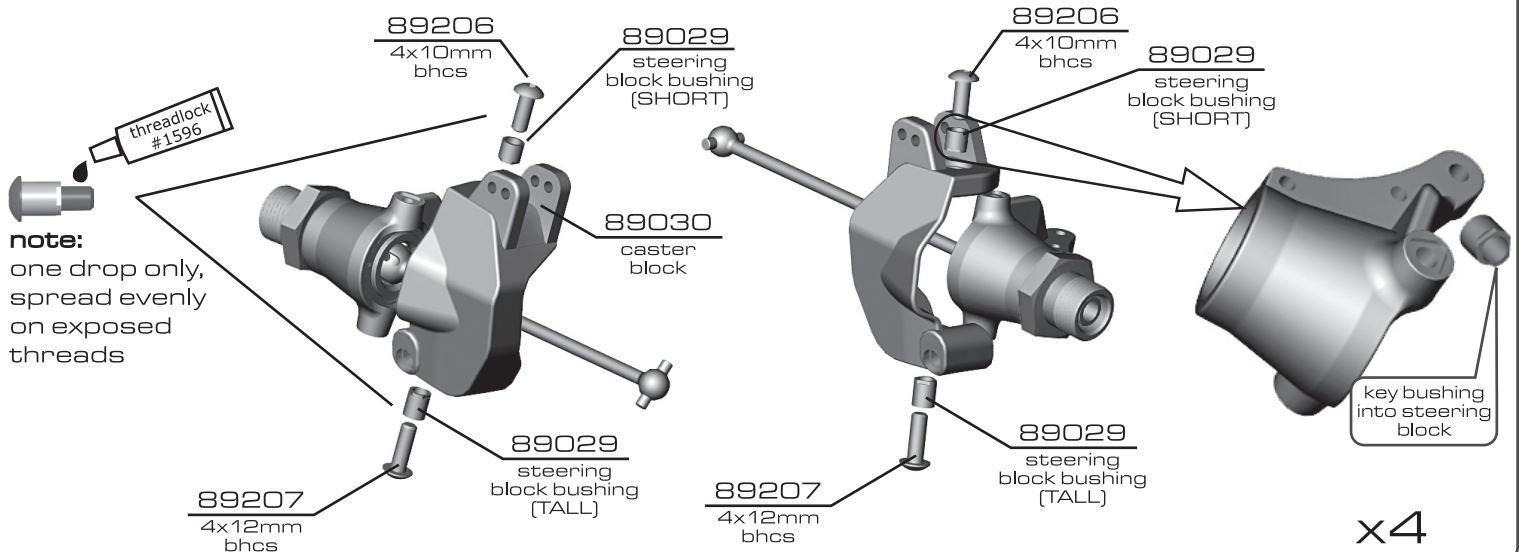
:: Suspension



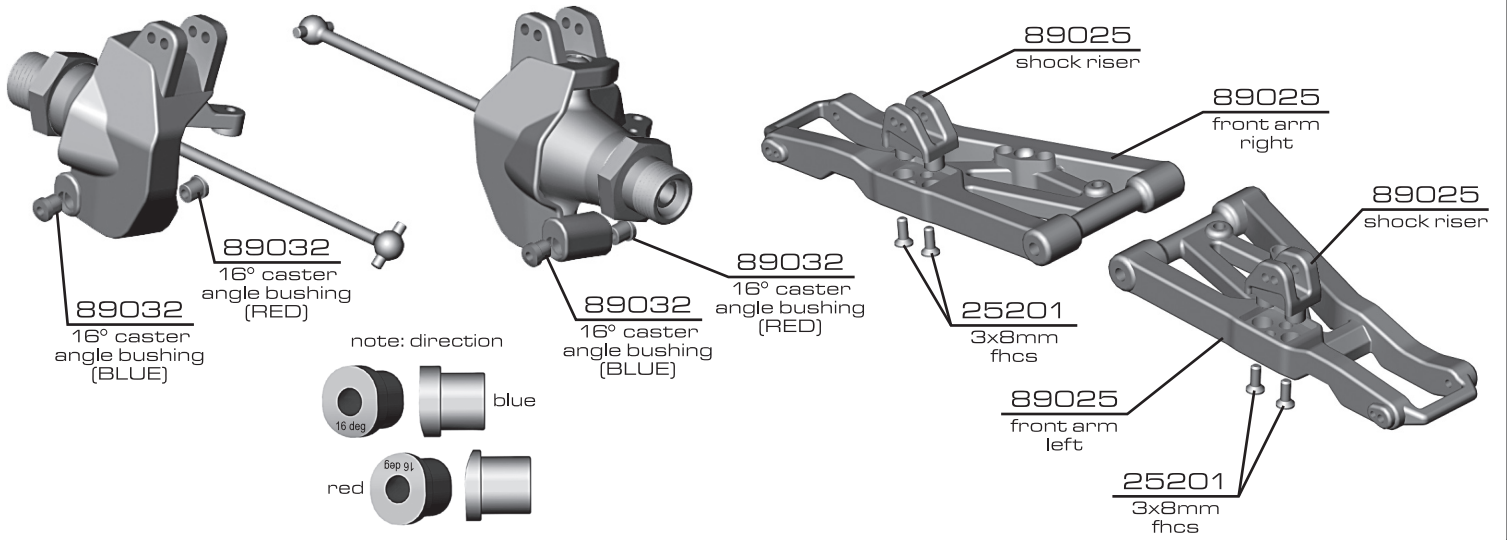
:: Suspension (cont.)



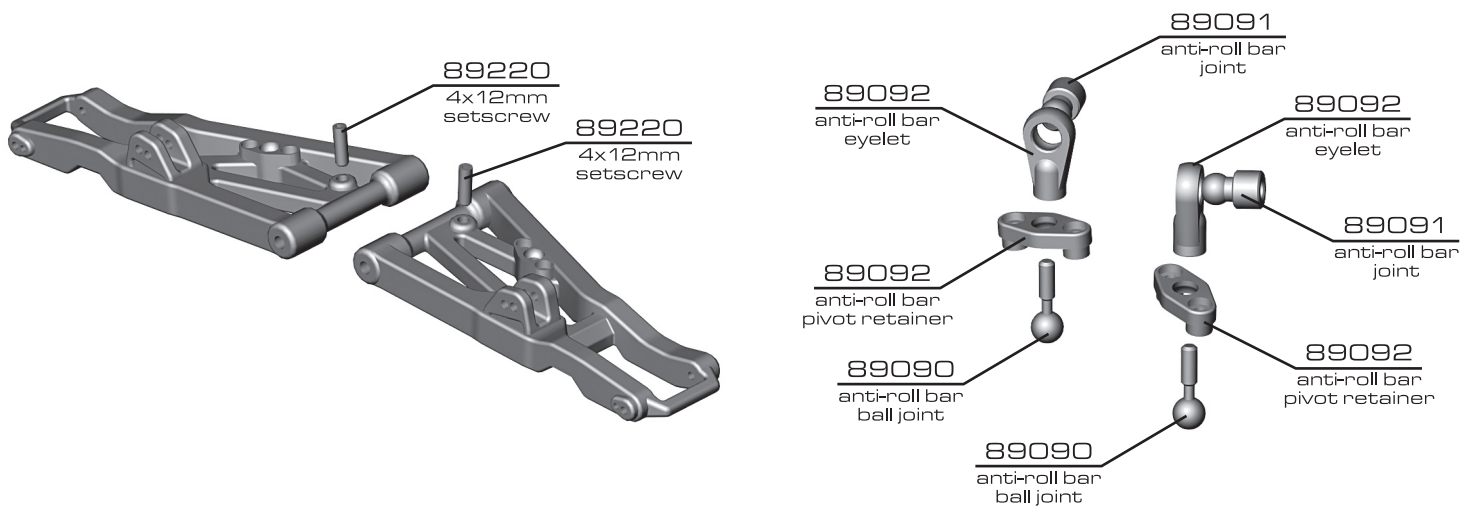
:: Suspension (cont.)



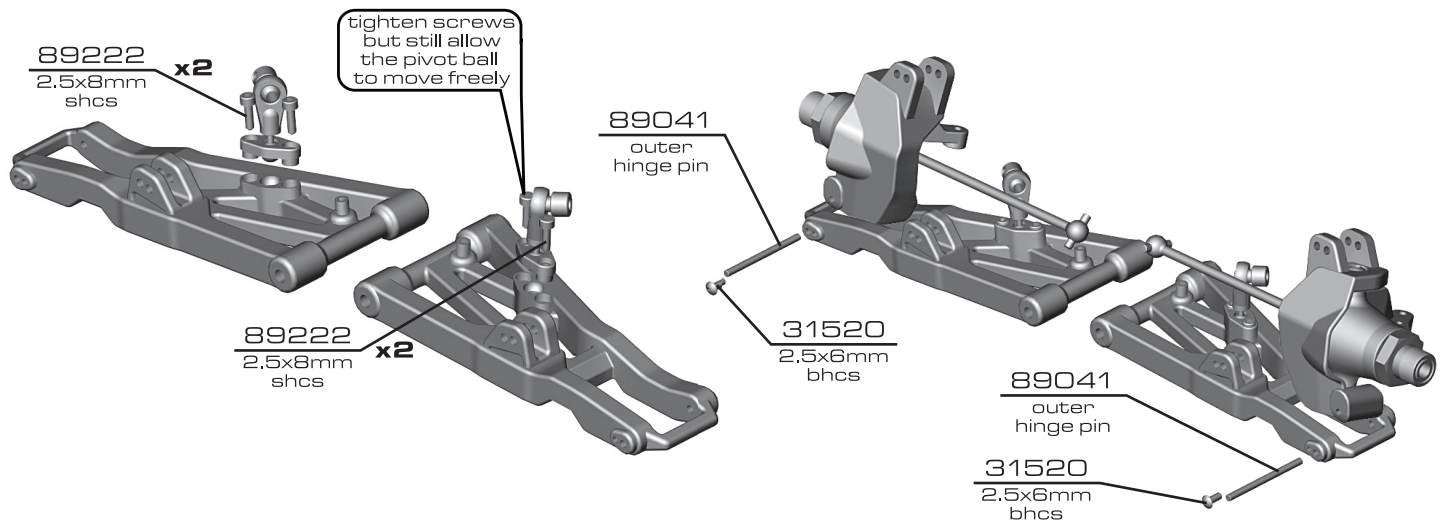
:: Suspension (cont.)



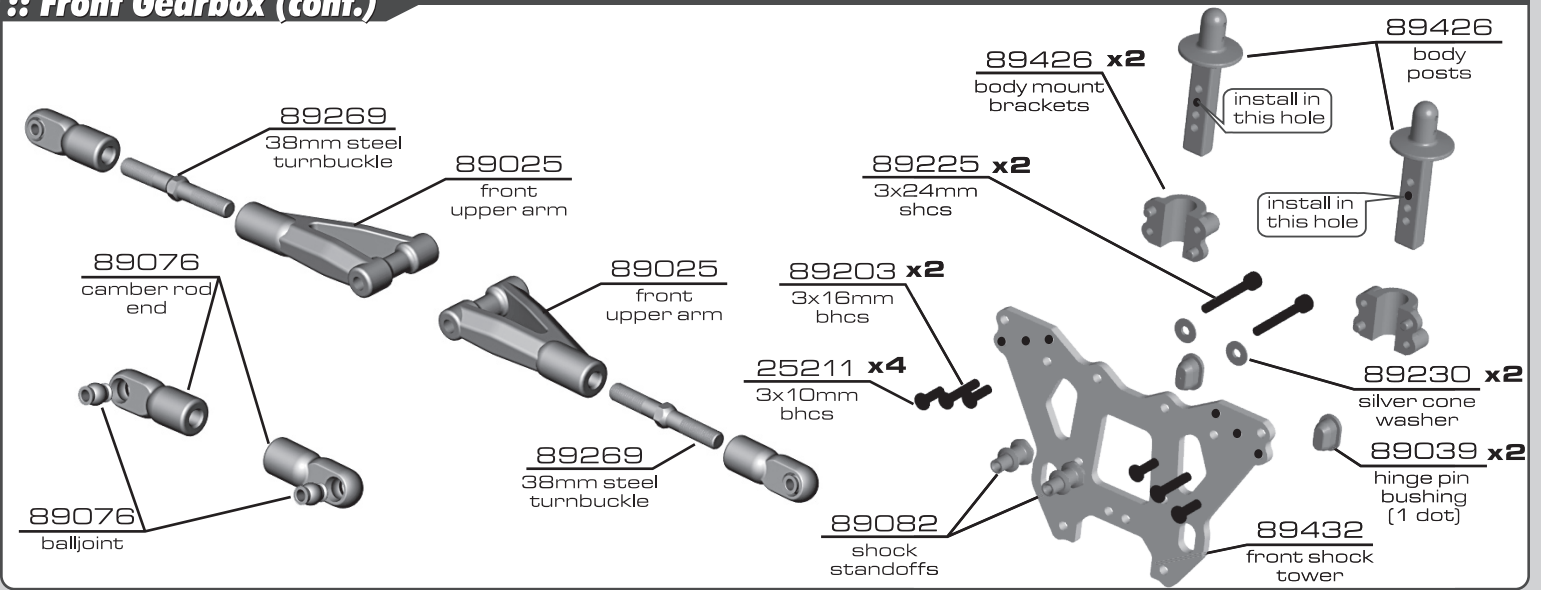
:: Suspension (cont.)



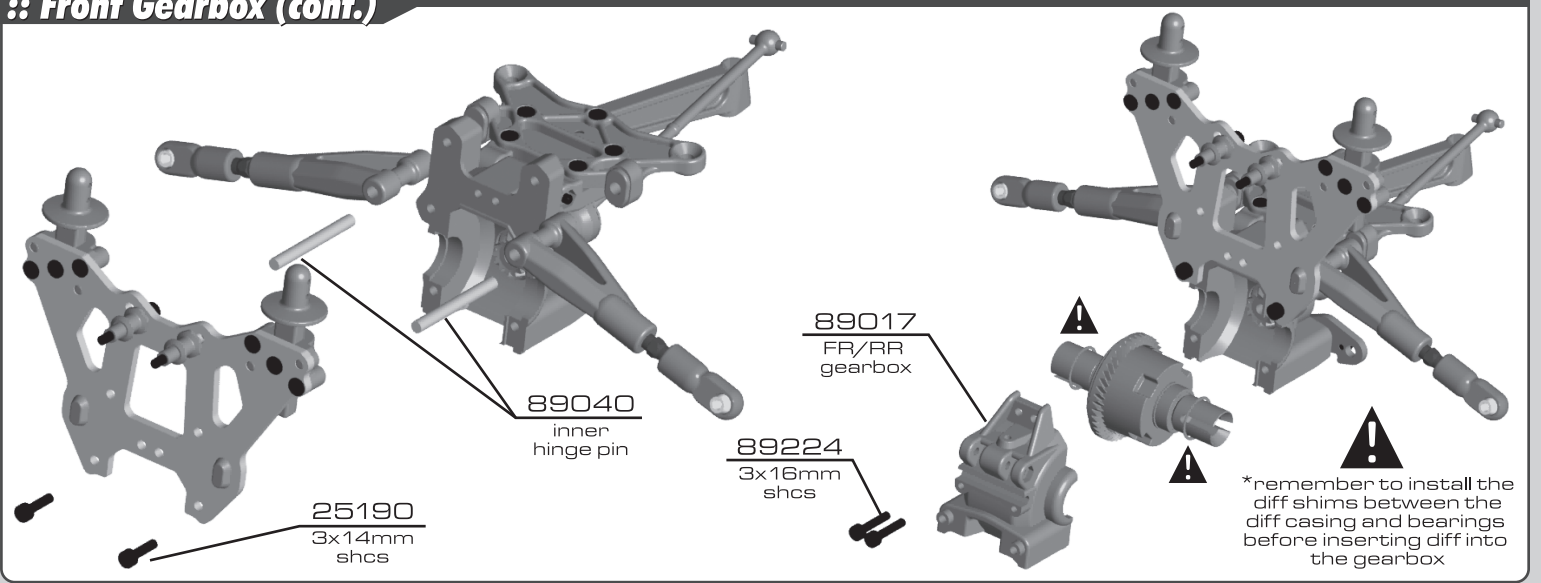
:: Suspension (cont.)



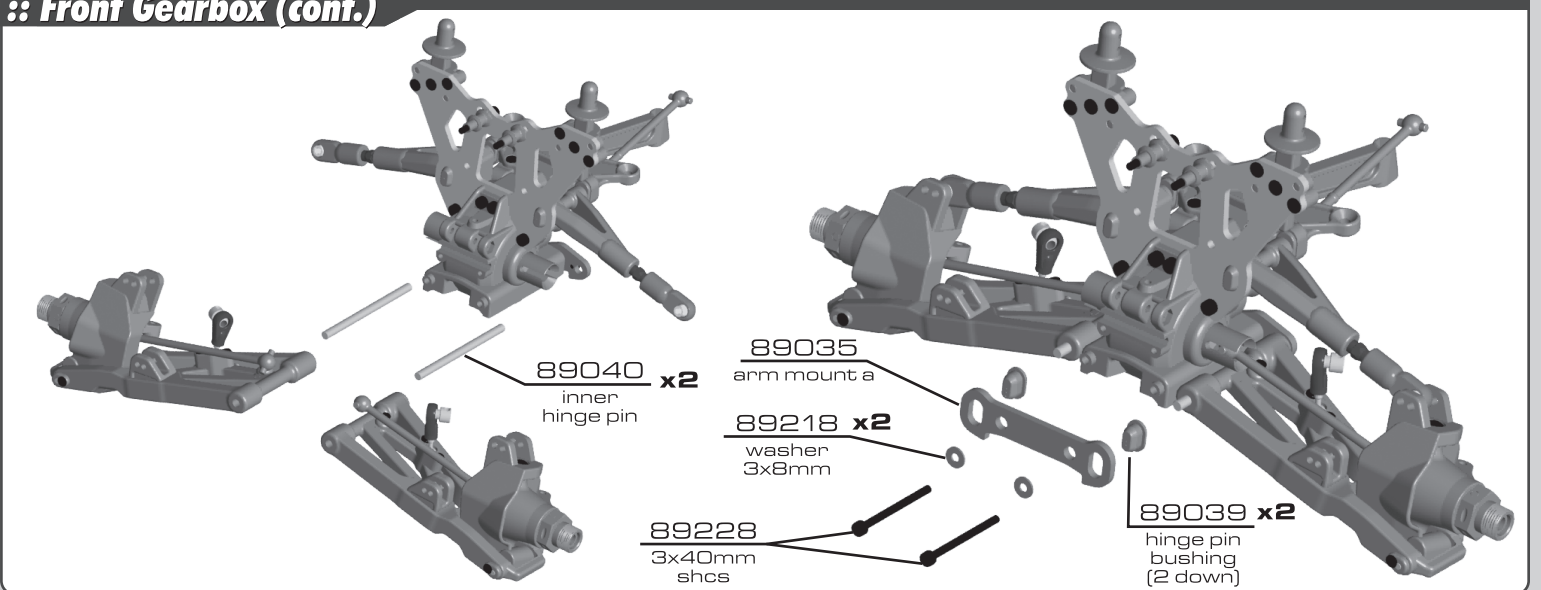
:: Front Gearbox (cont.)



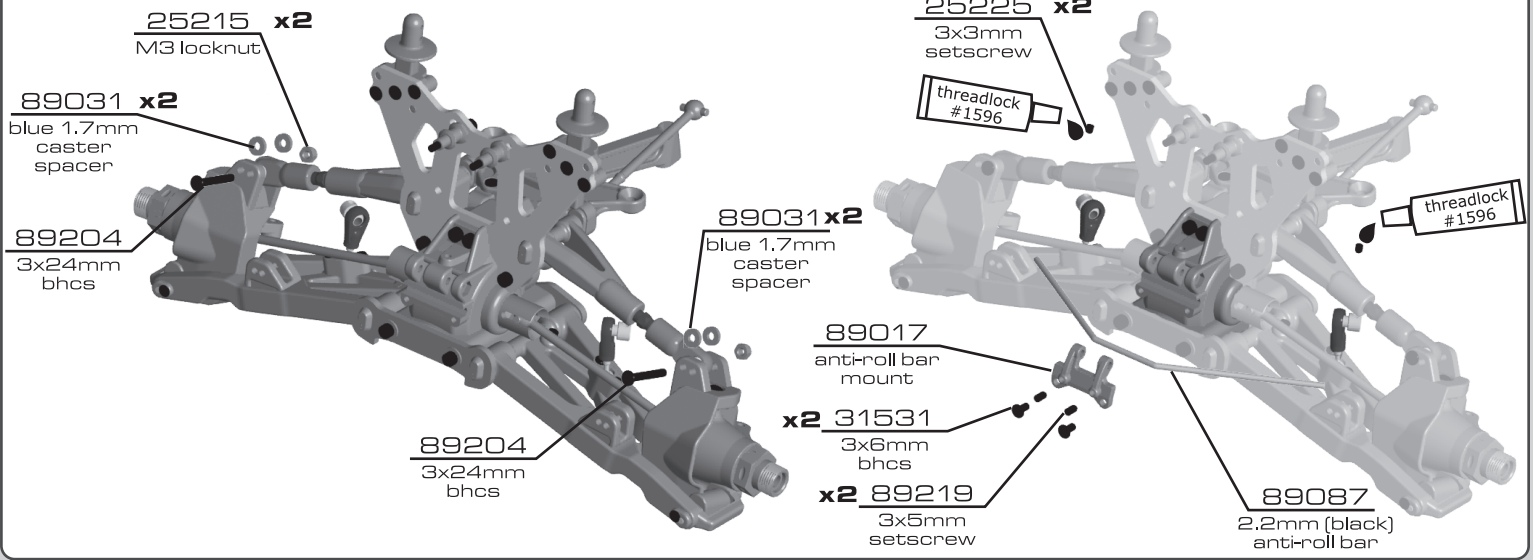
:: Front Gearbox (cont.)



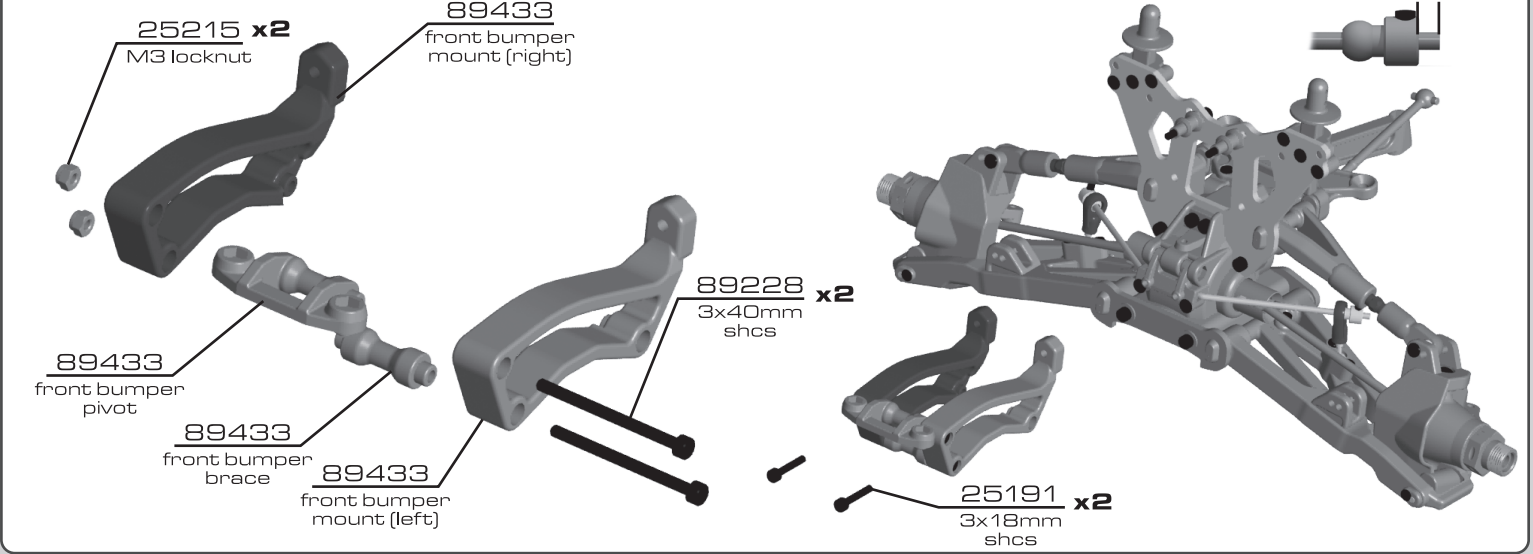
:: Front Gearbox (cont.)



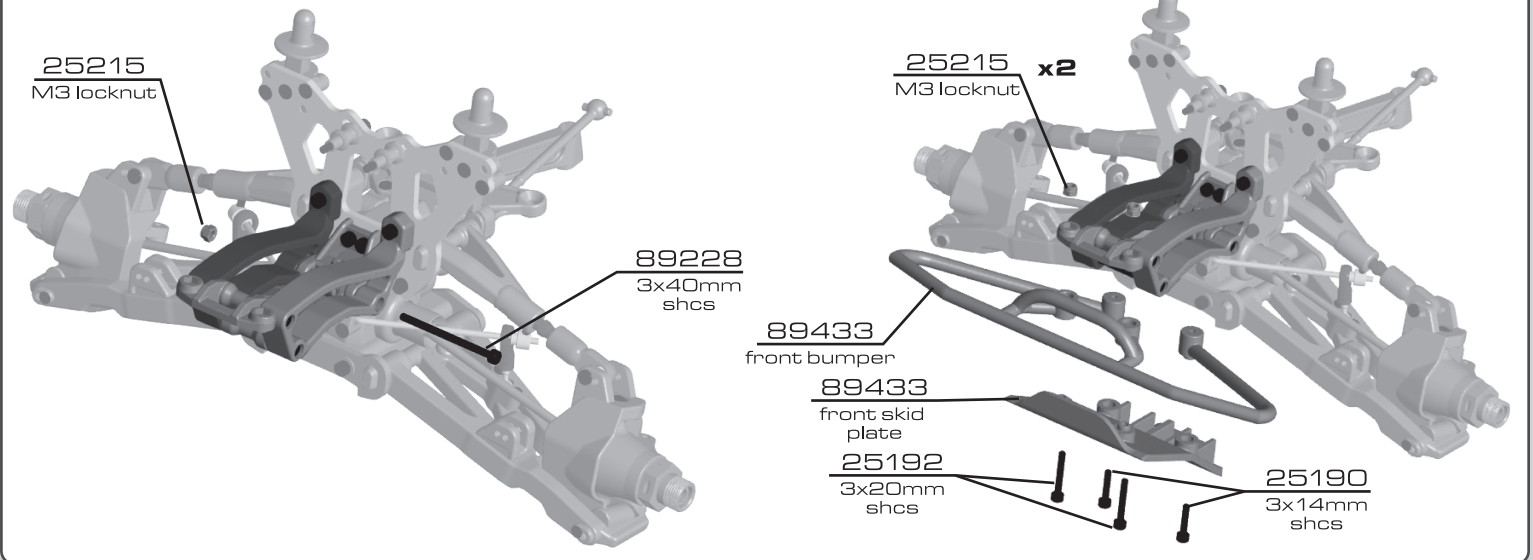
:: Front Gearbox (cont.)



:: Front Gearbox (cont.)

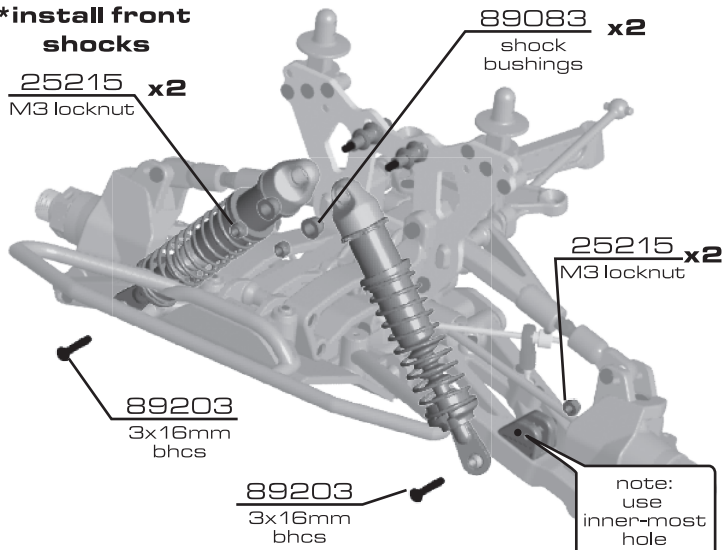


:: Front Gearbox (cont.)

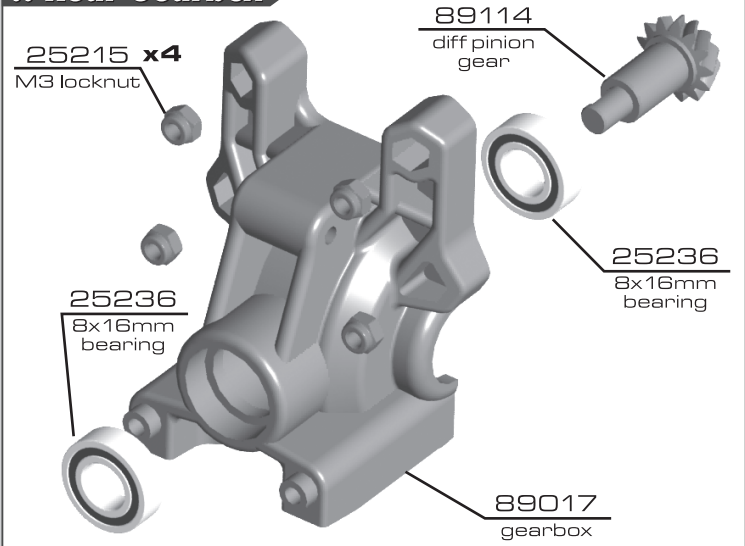


:: Front Gearbox (cont.)

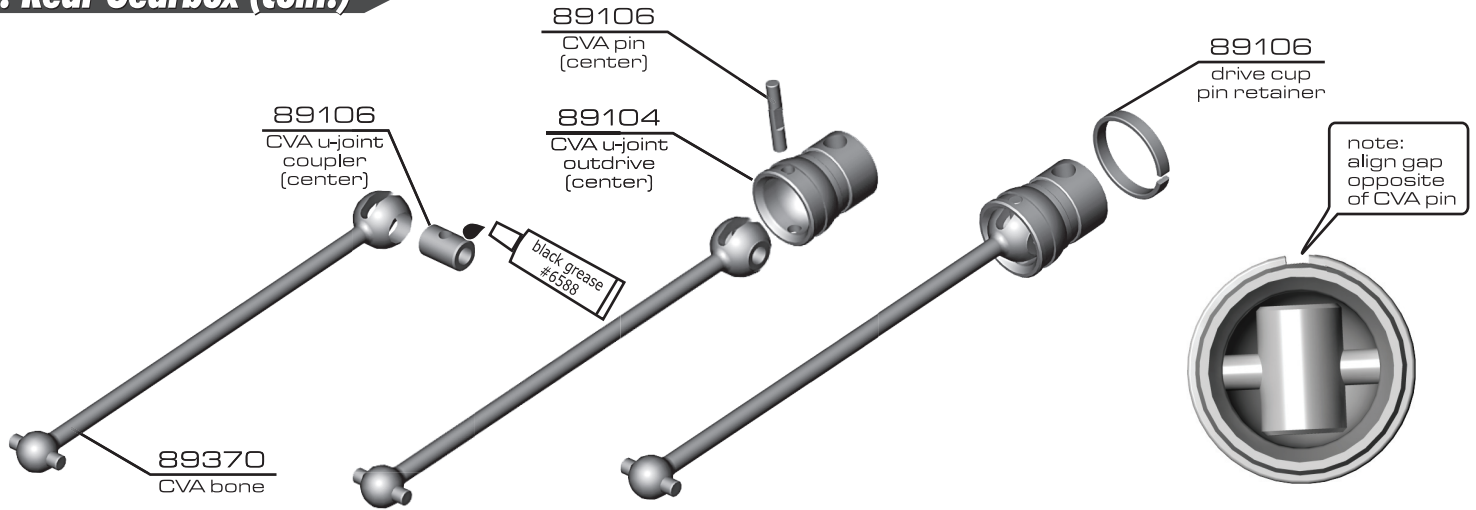
***install front shocks**



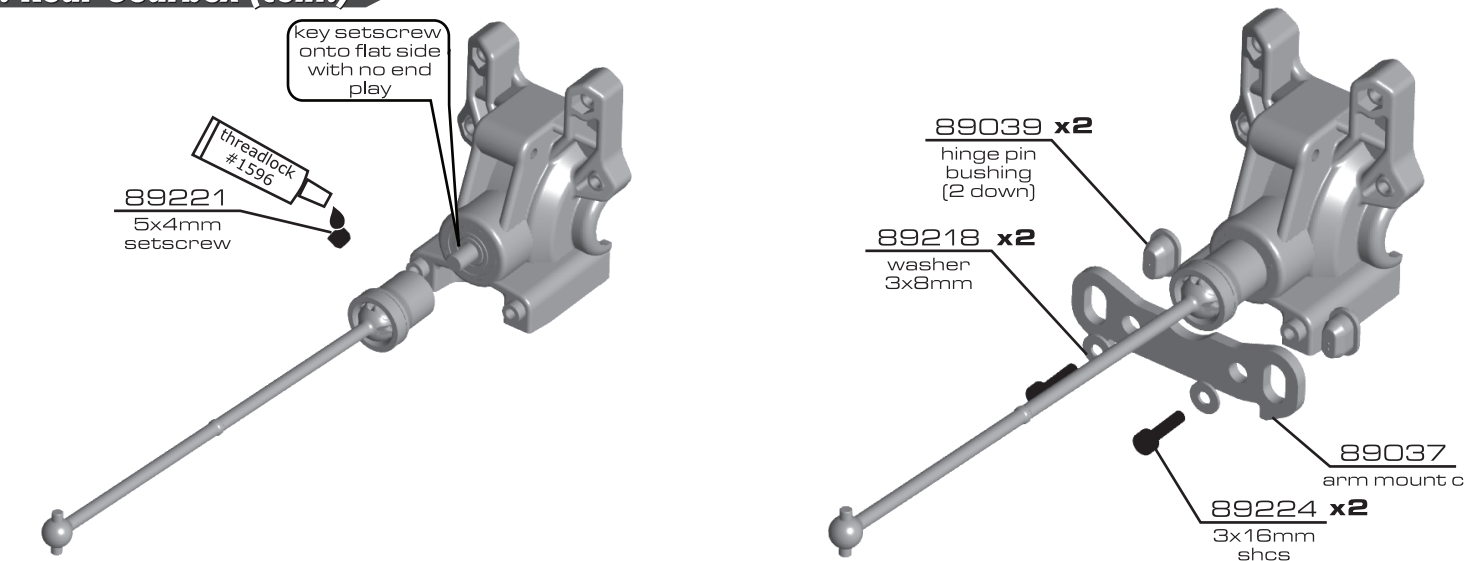
:: Rear Gearbox



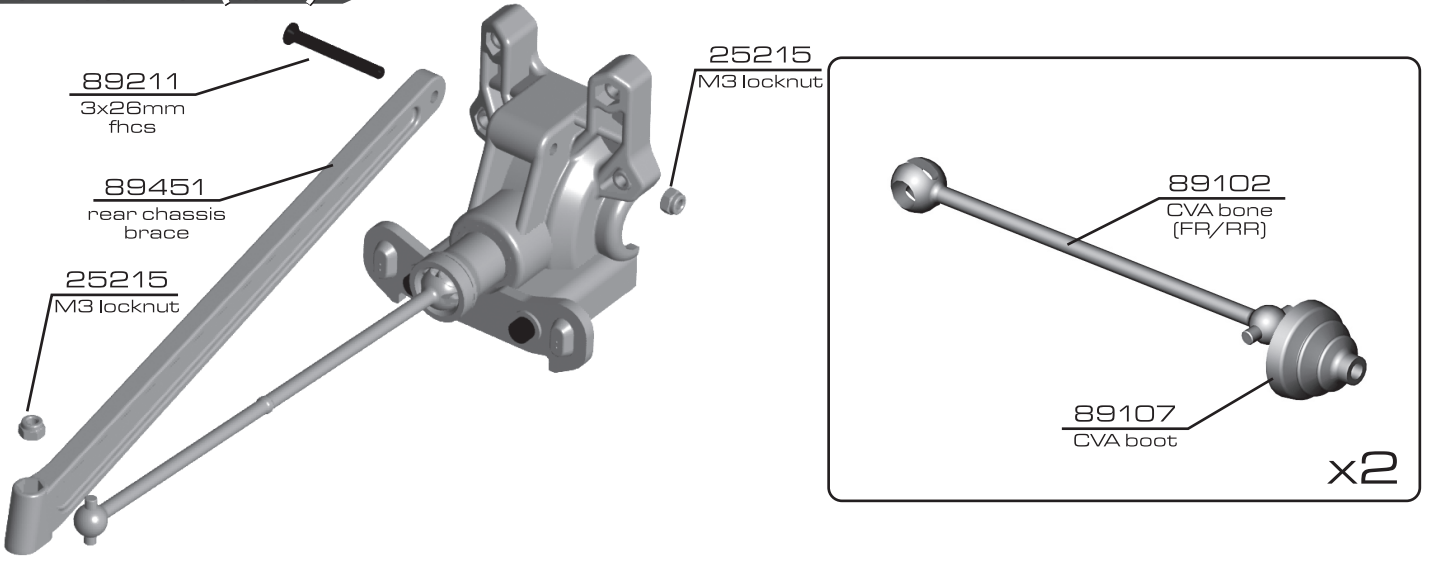
:: Rear Gearbox (cont.)



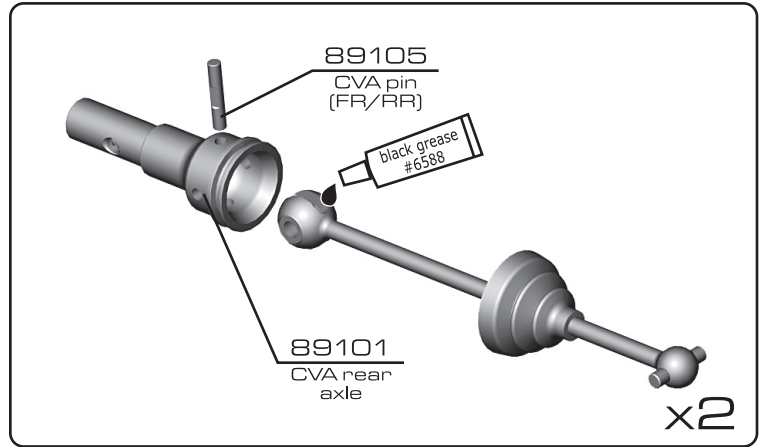
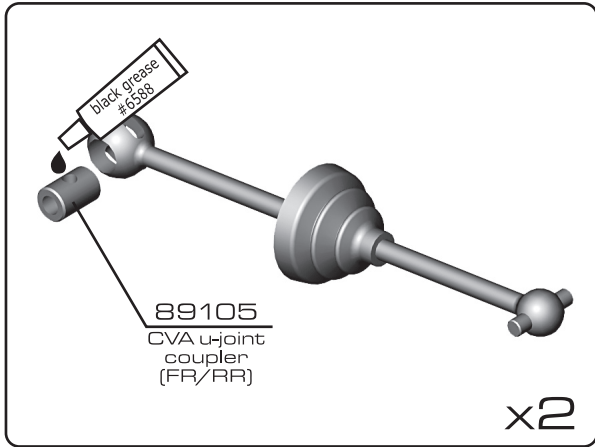
:: Rear Gearbox (cont.)



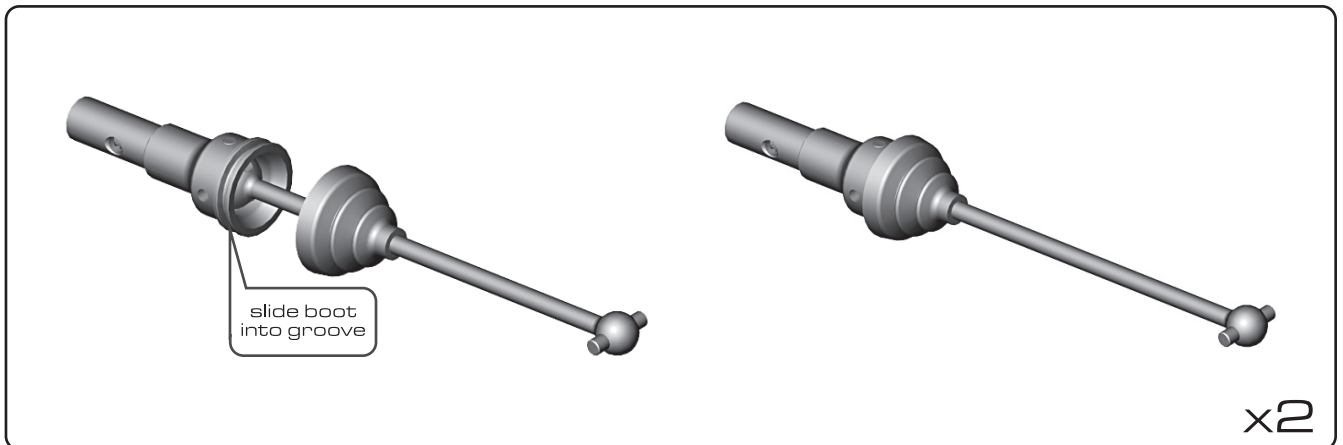
:: Rear Gearbox (cont.)



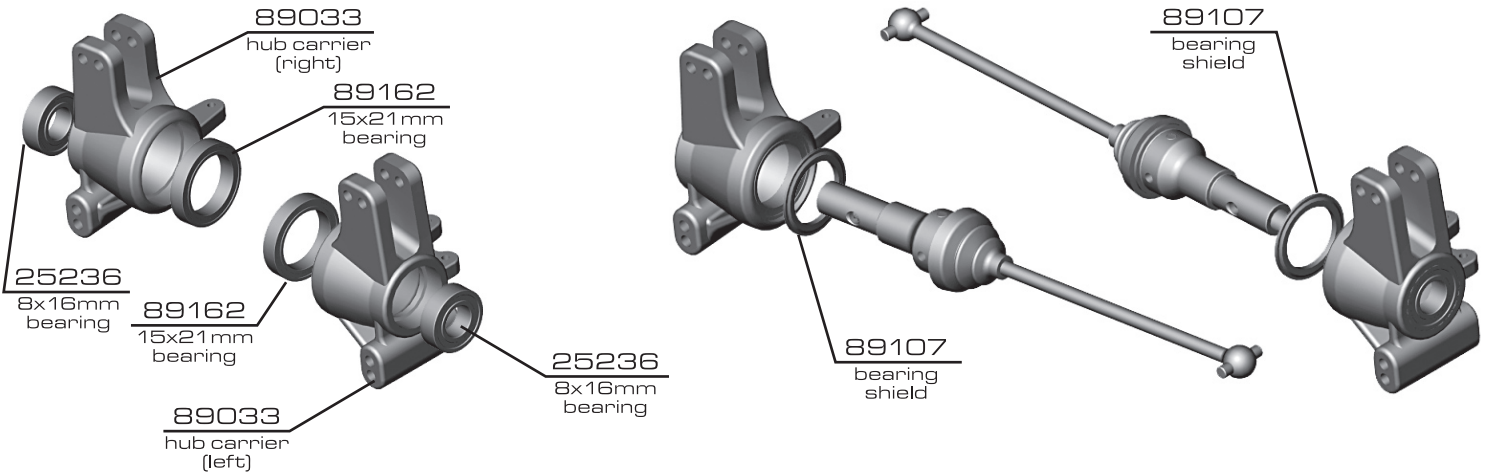
:: Suspension (cont.)



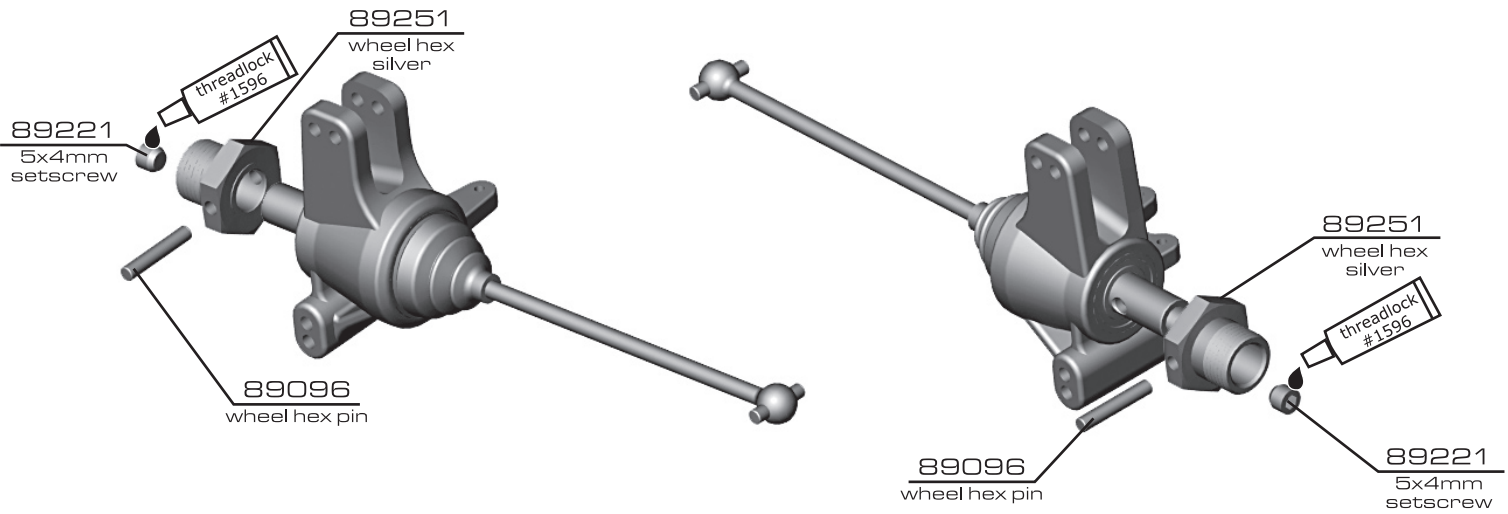
:: Suspension (cont.)



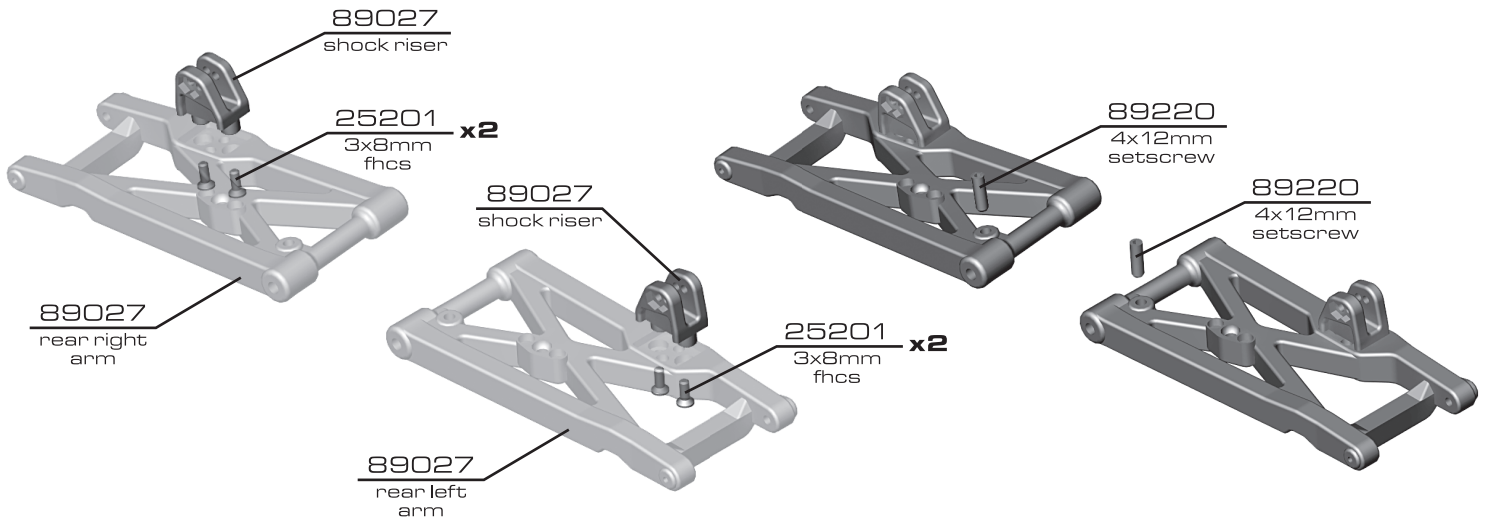
:: Rear Gearbox (cont.)



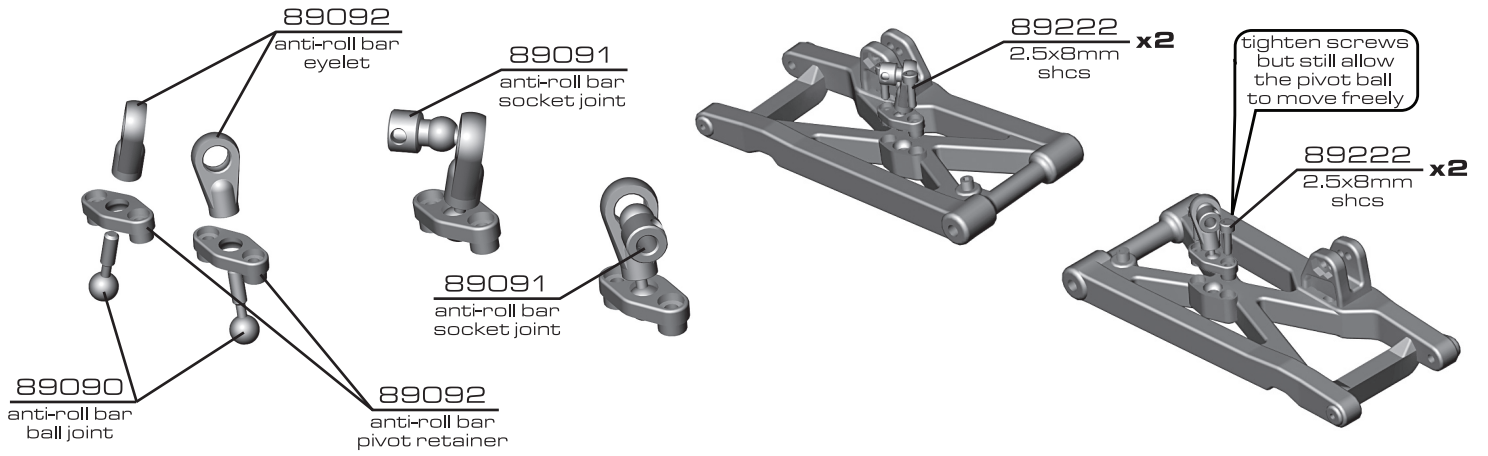
:: Rear Gearbox (cont.)



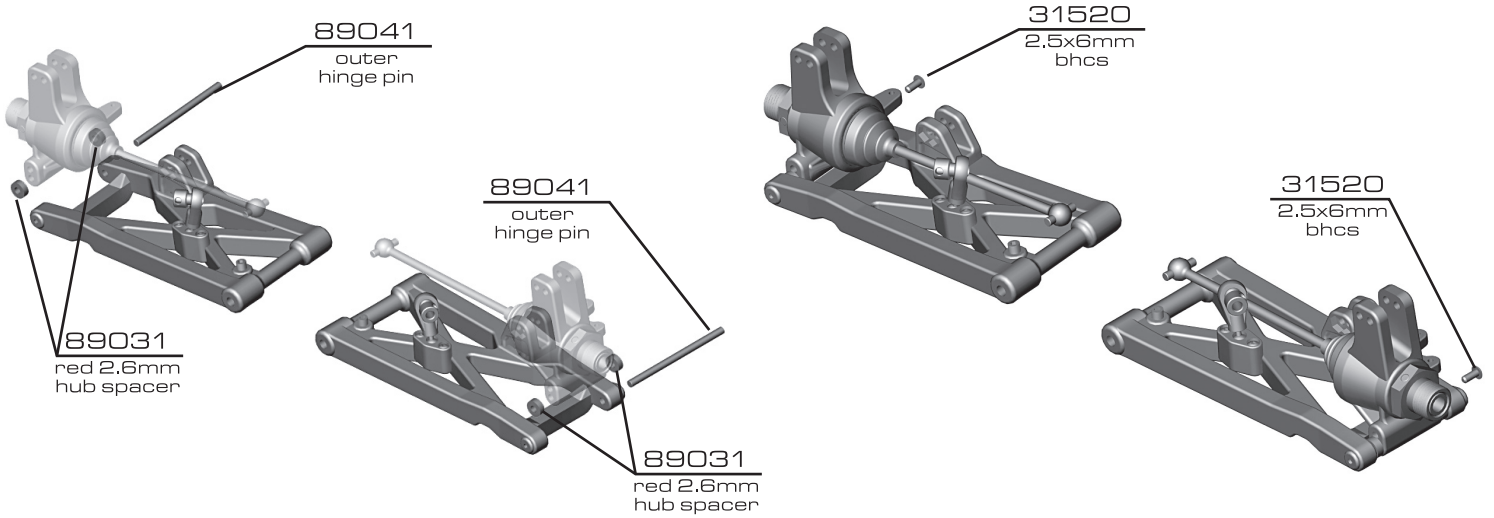
:: Rear Gearbox (cont.)



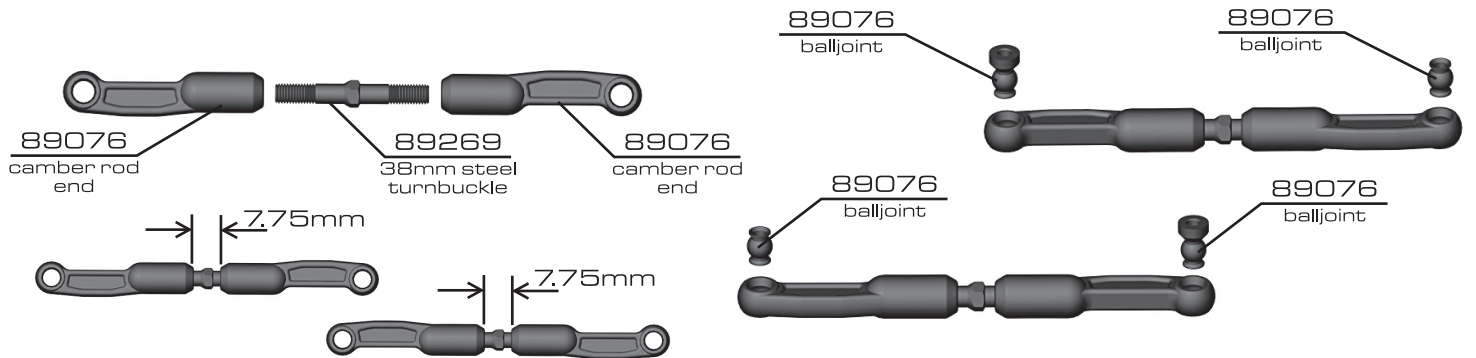
:: Rear Gearbox (cont.)



:: Rear Gearbox (cont.)



:: Rear Gearbox (cont.)

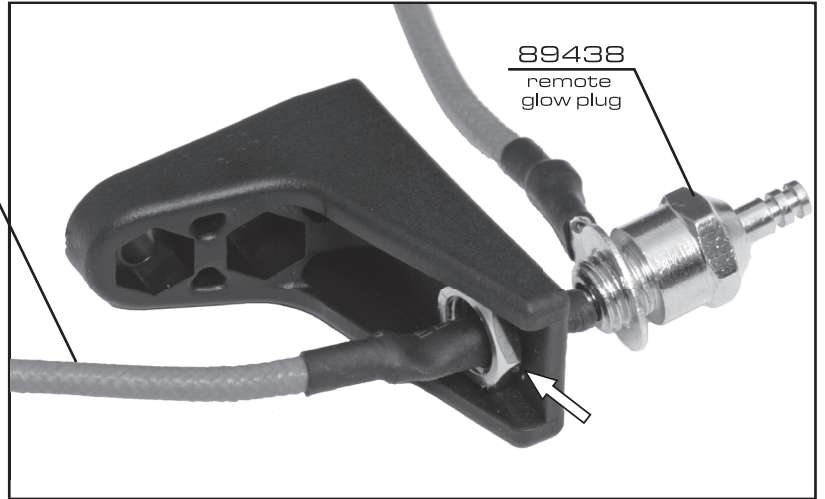


:: Rear Gearbox (cont.)

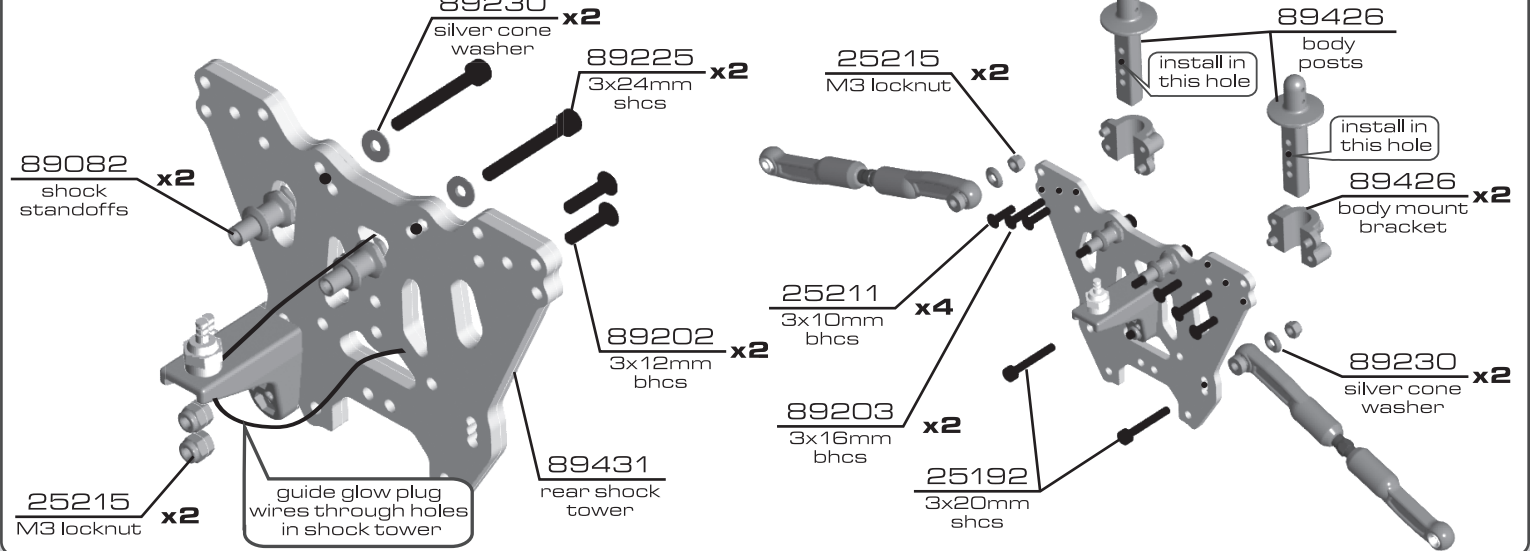


89438
remote glow plug wire

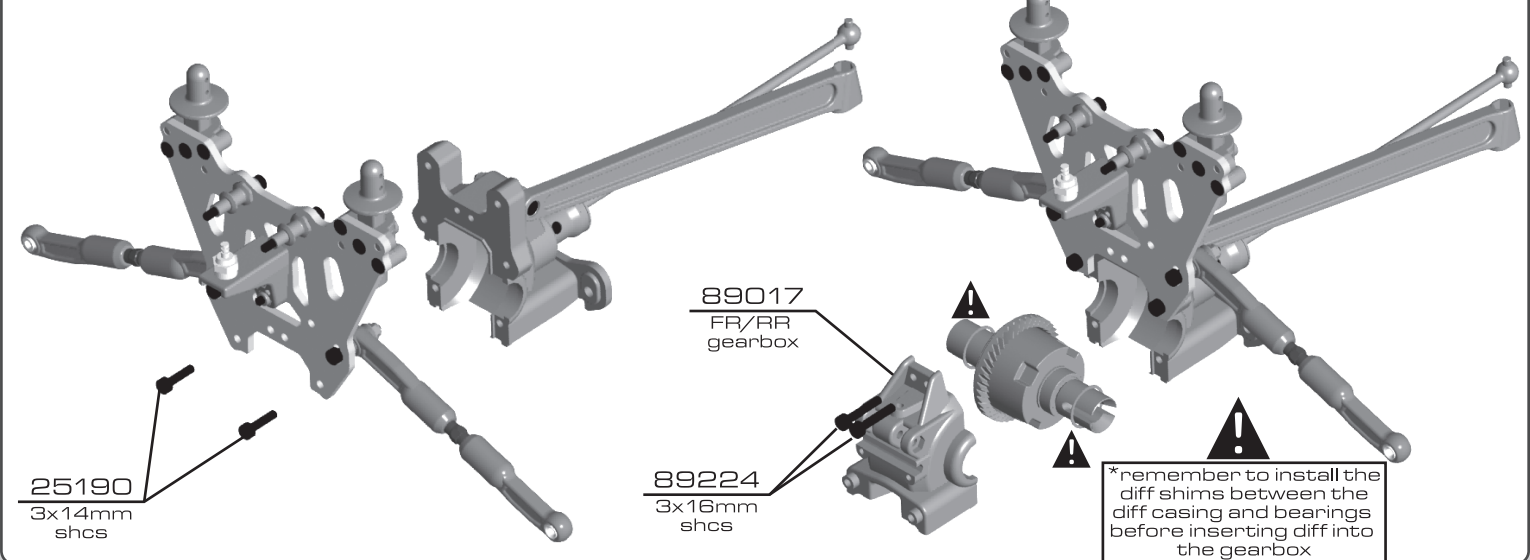
89438
remote glow plug nut



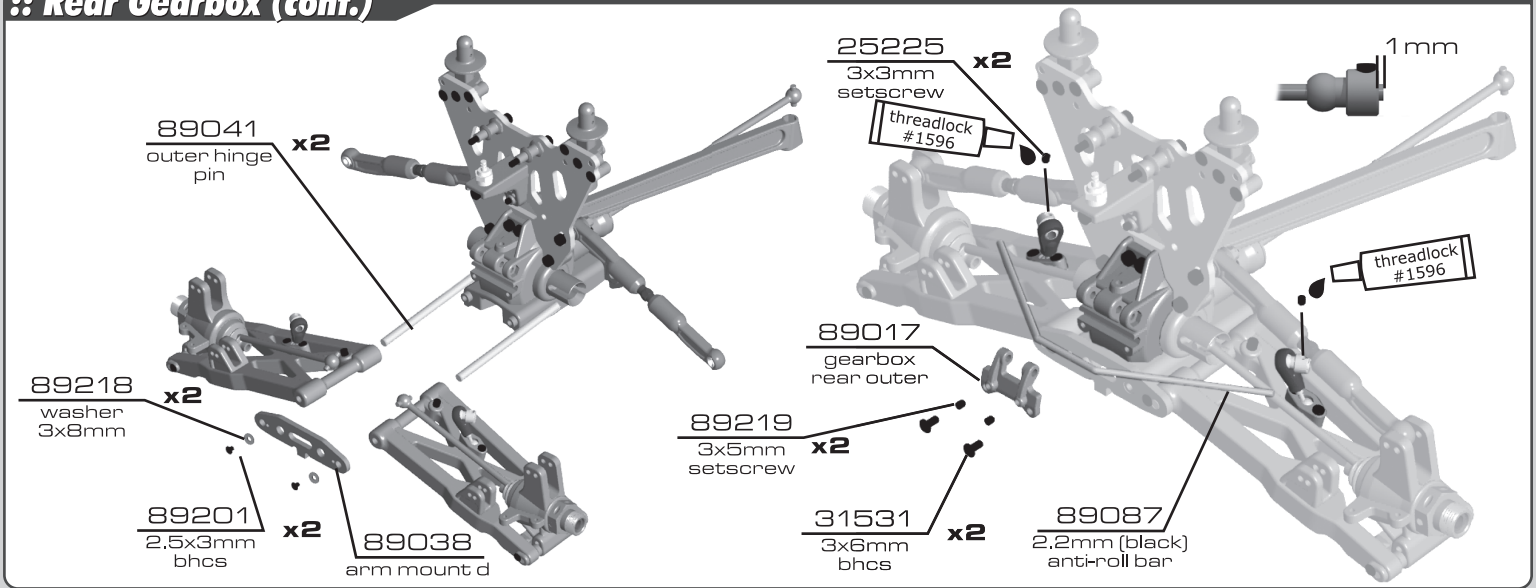
:: Rear Gearbox (cont.)



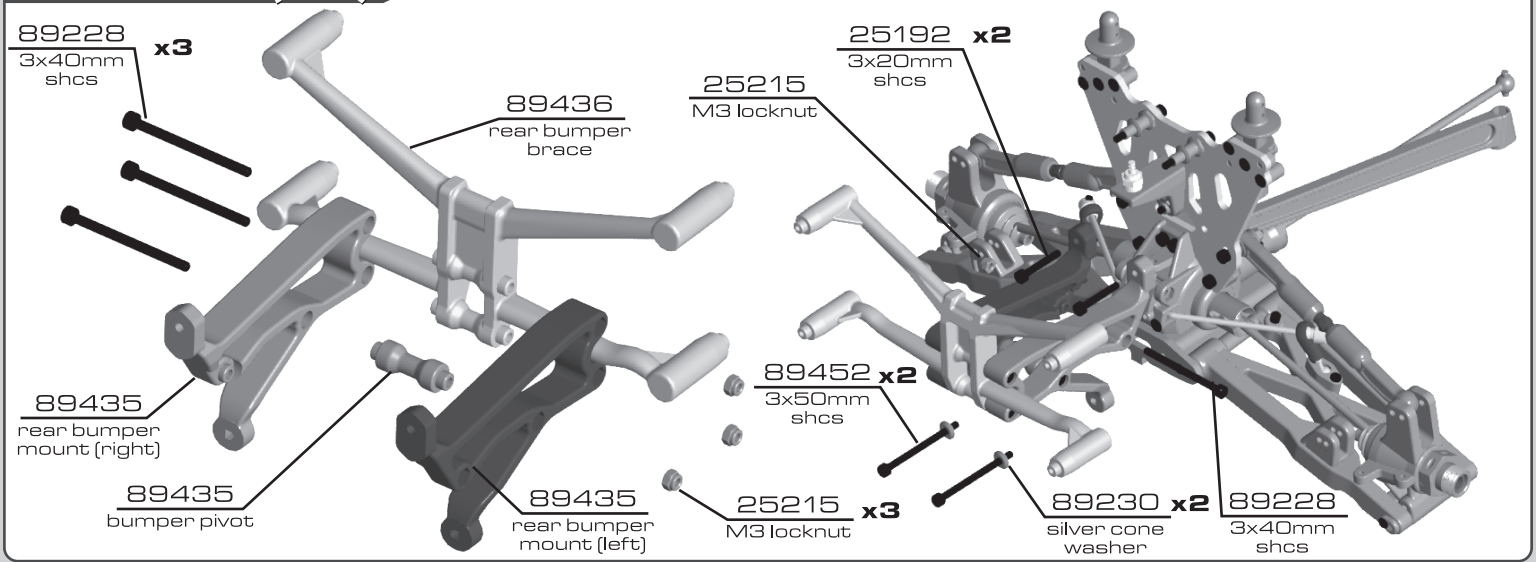
:: Rear Gearbox (cont.)



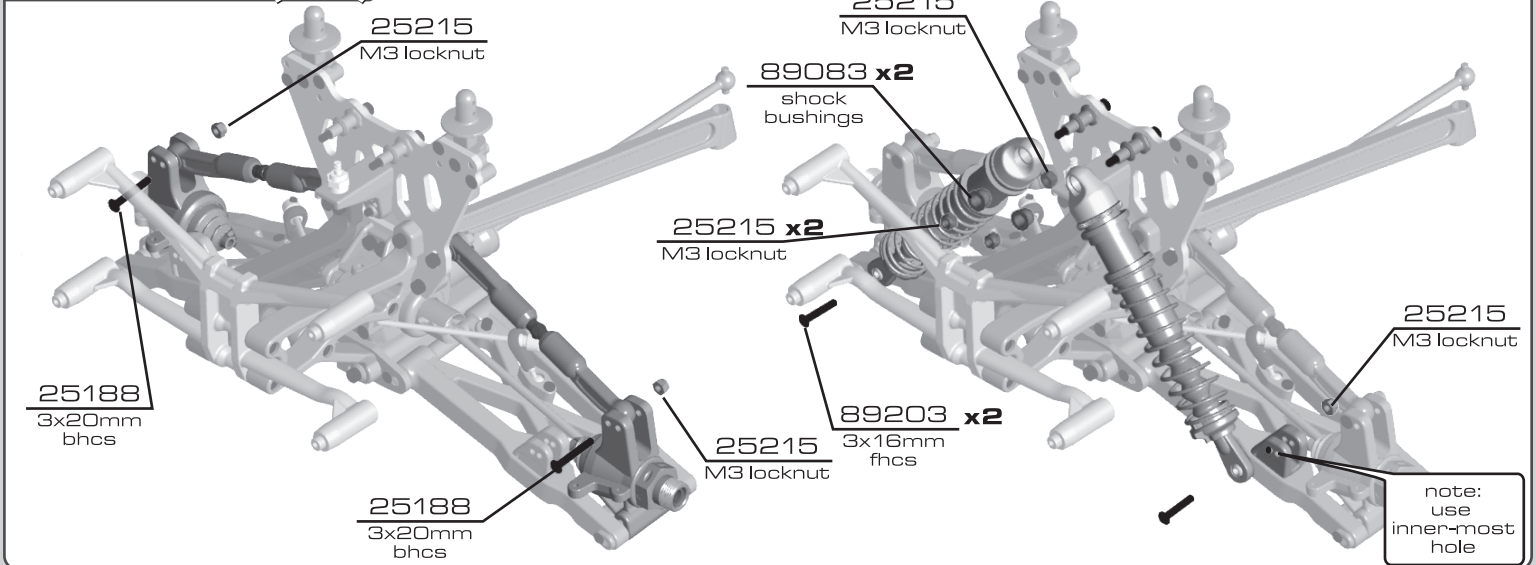
:: Rear Gearbox (cont.)



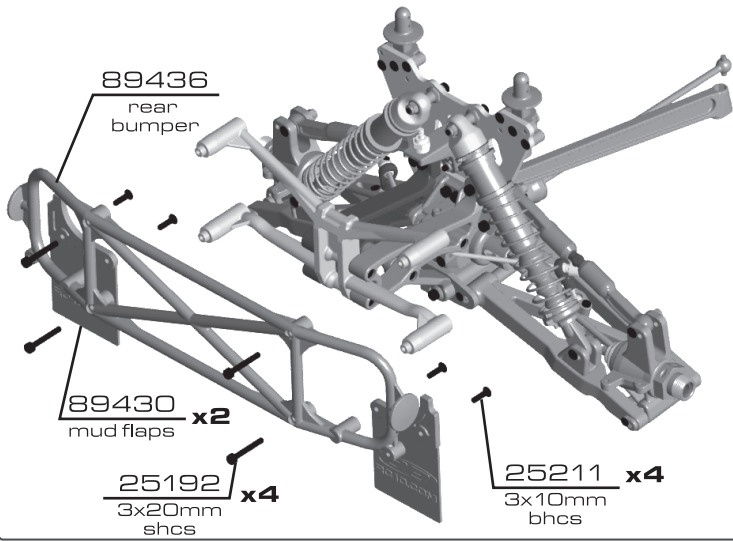
:: Rear Gearbox (cont.)



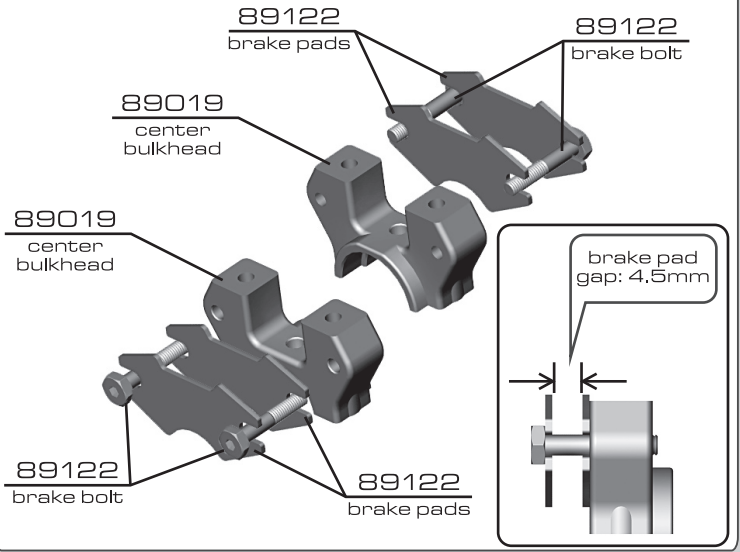
:: Rear Gearbox (cont.)



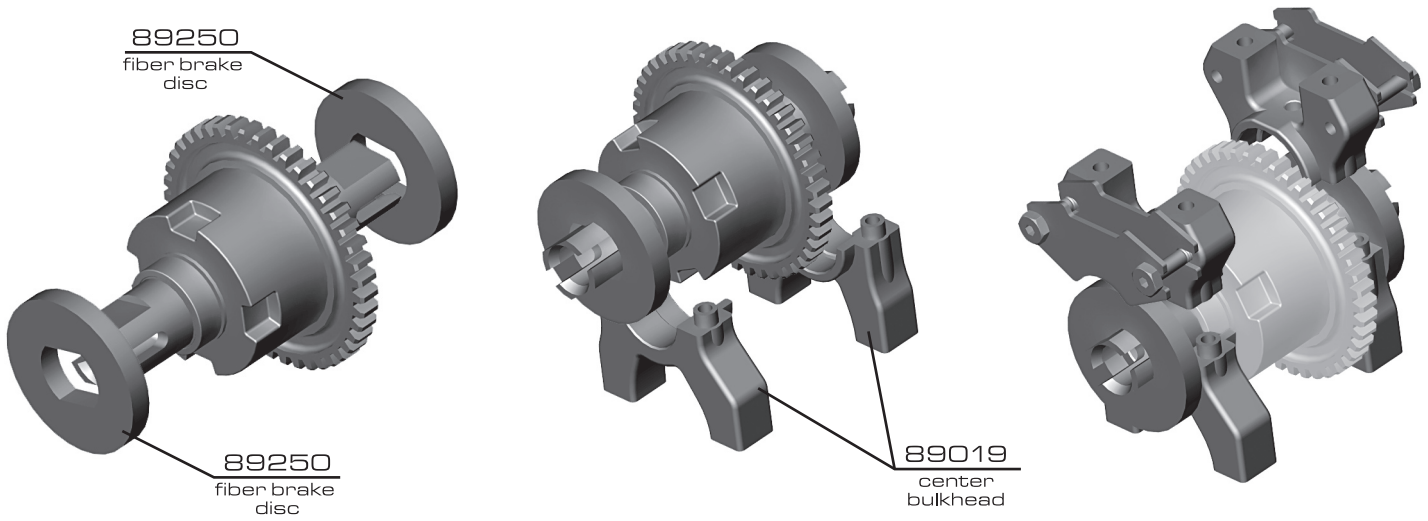
:: Rear Gearbox (cont.)



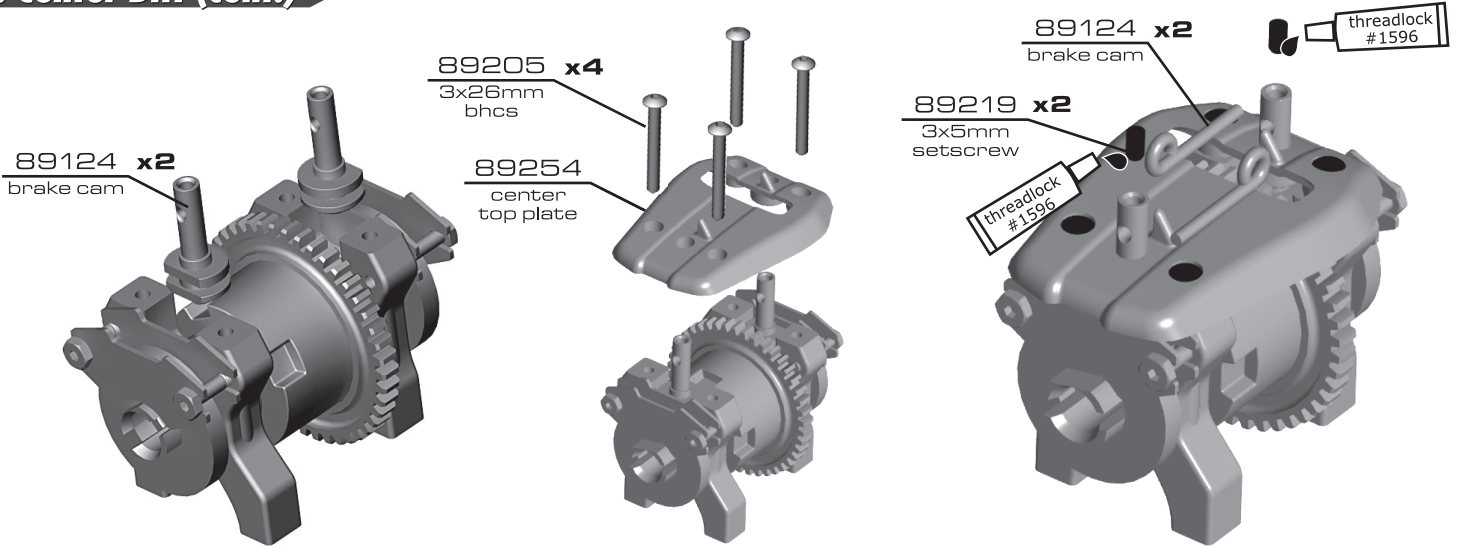
:: Center Diff



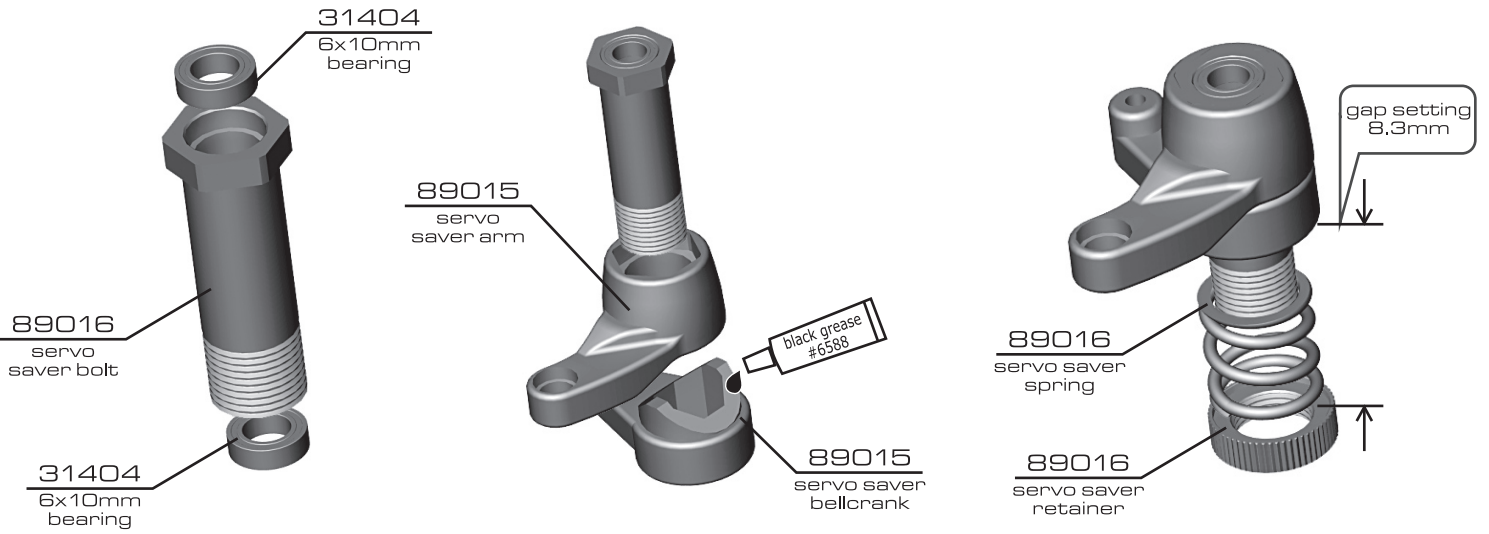
:: Center Diff (cont.)



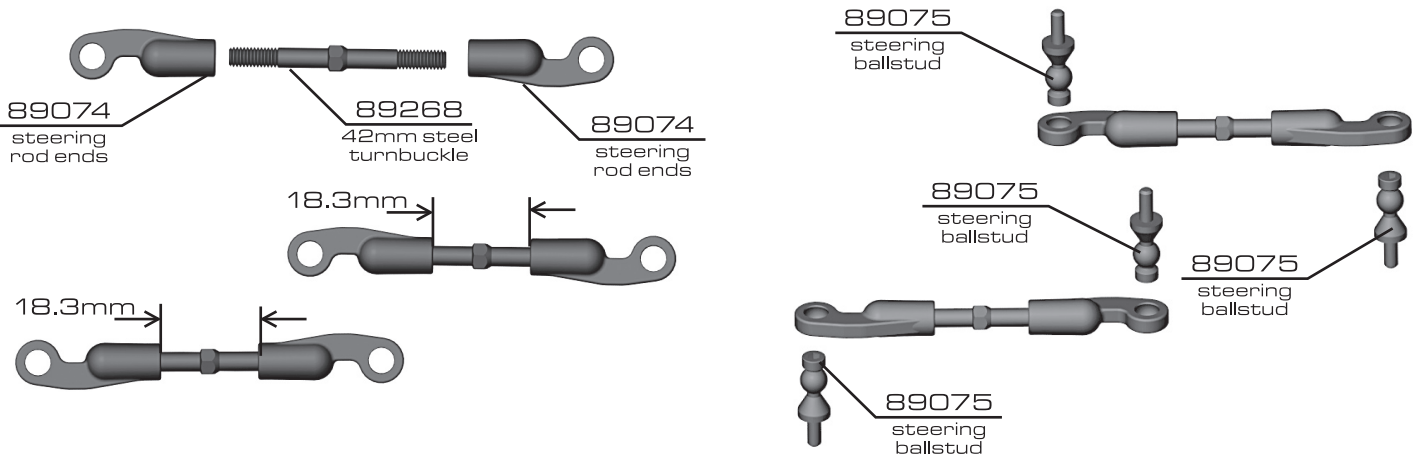
:: Center Diff (cont.)



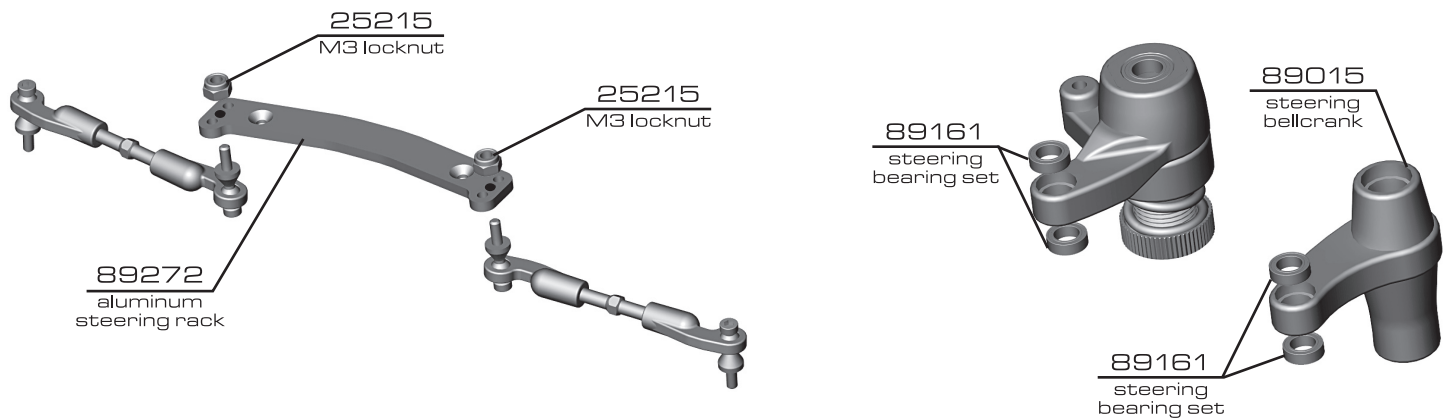
:: Steering



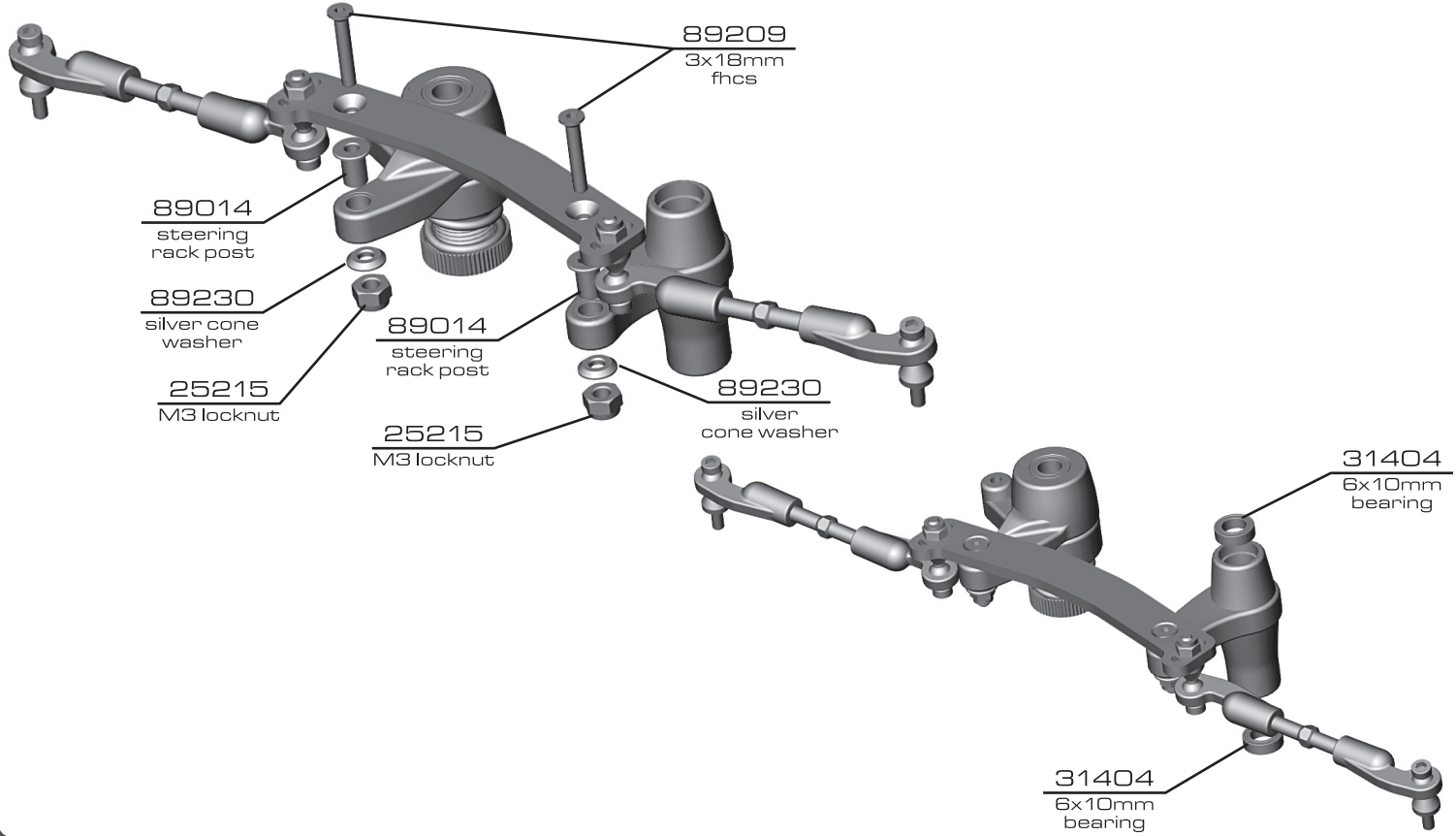
:: Steering (cont.)



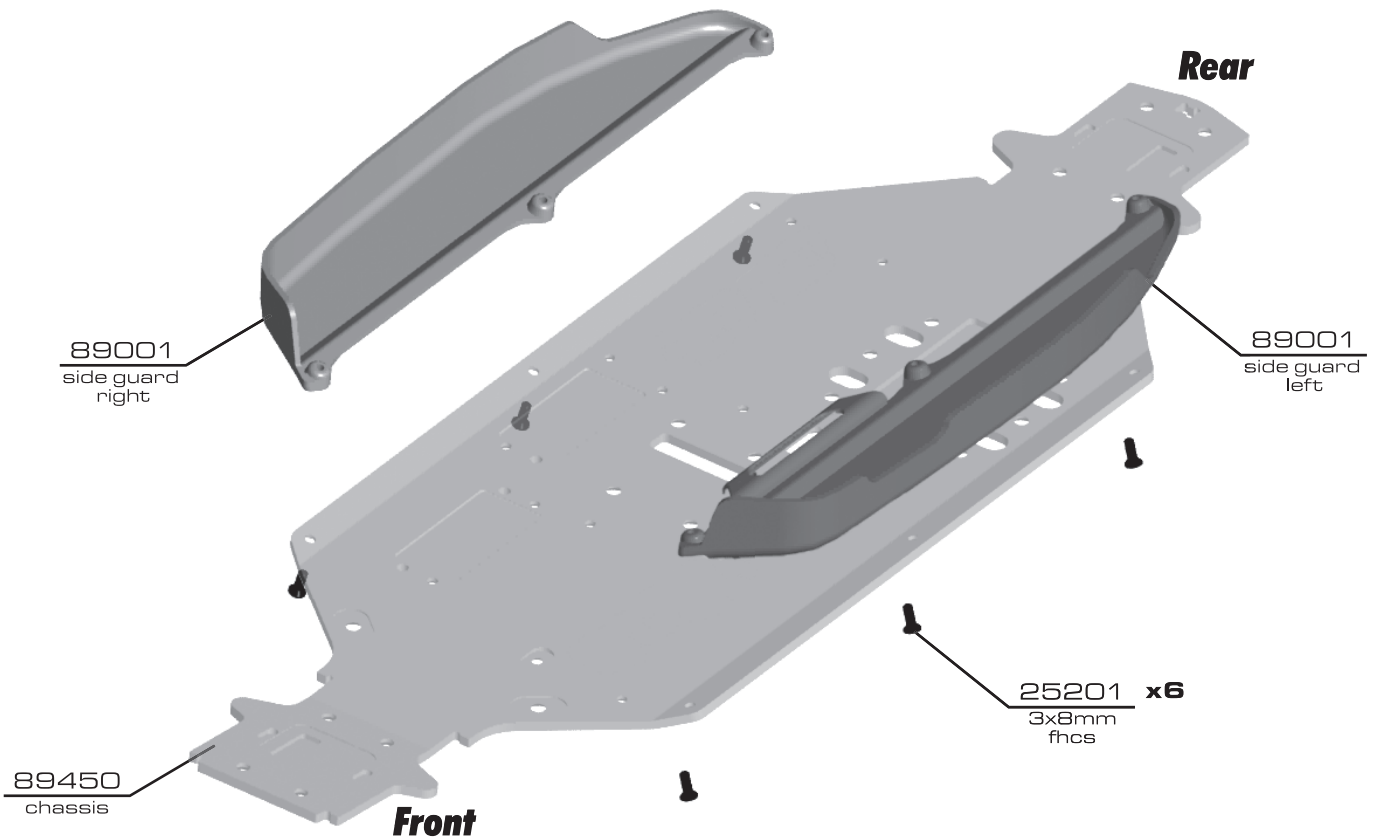
:: Steering (cont.)



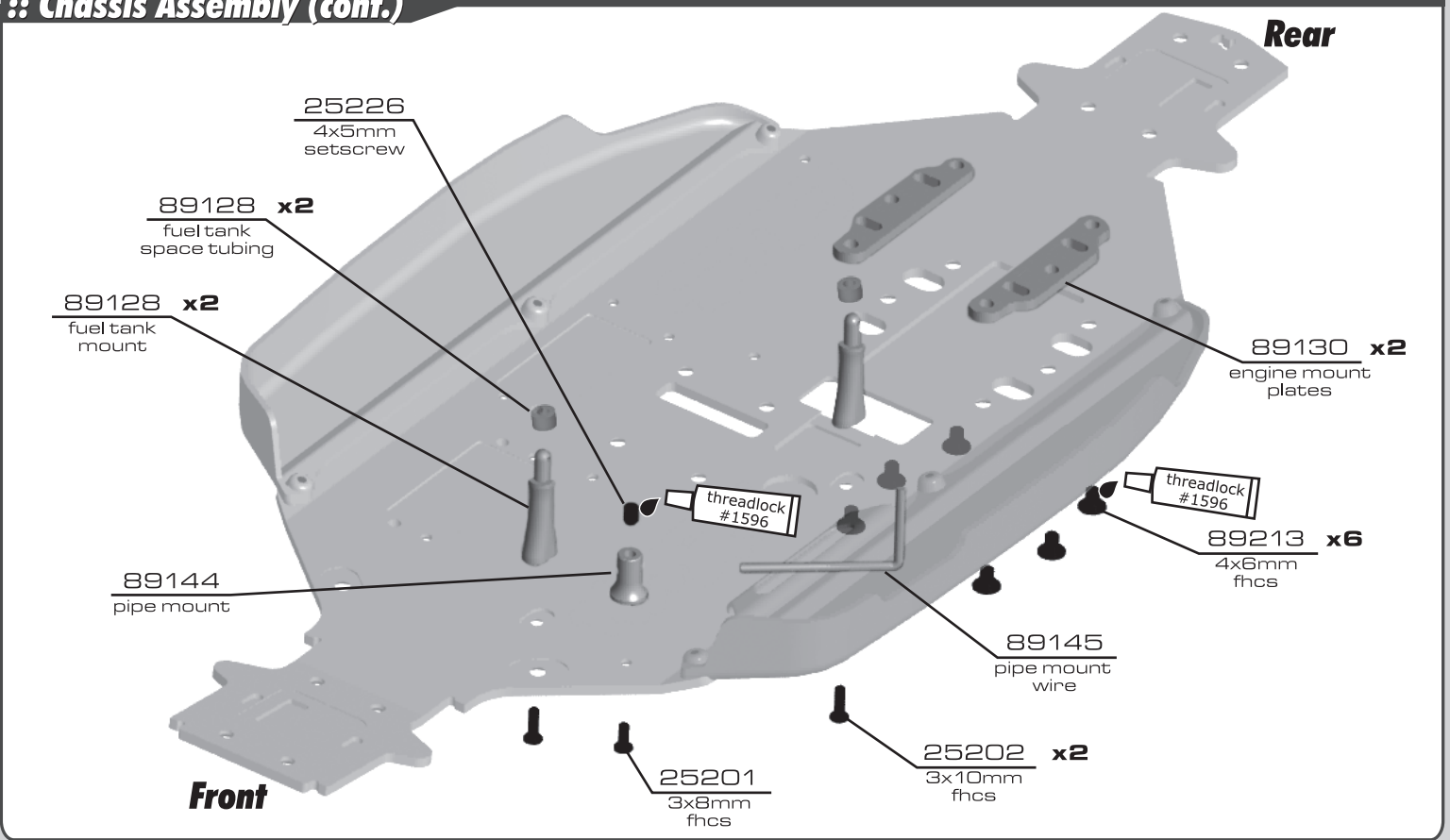
:: Steering (cont.)



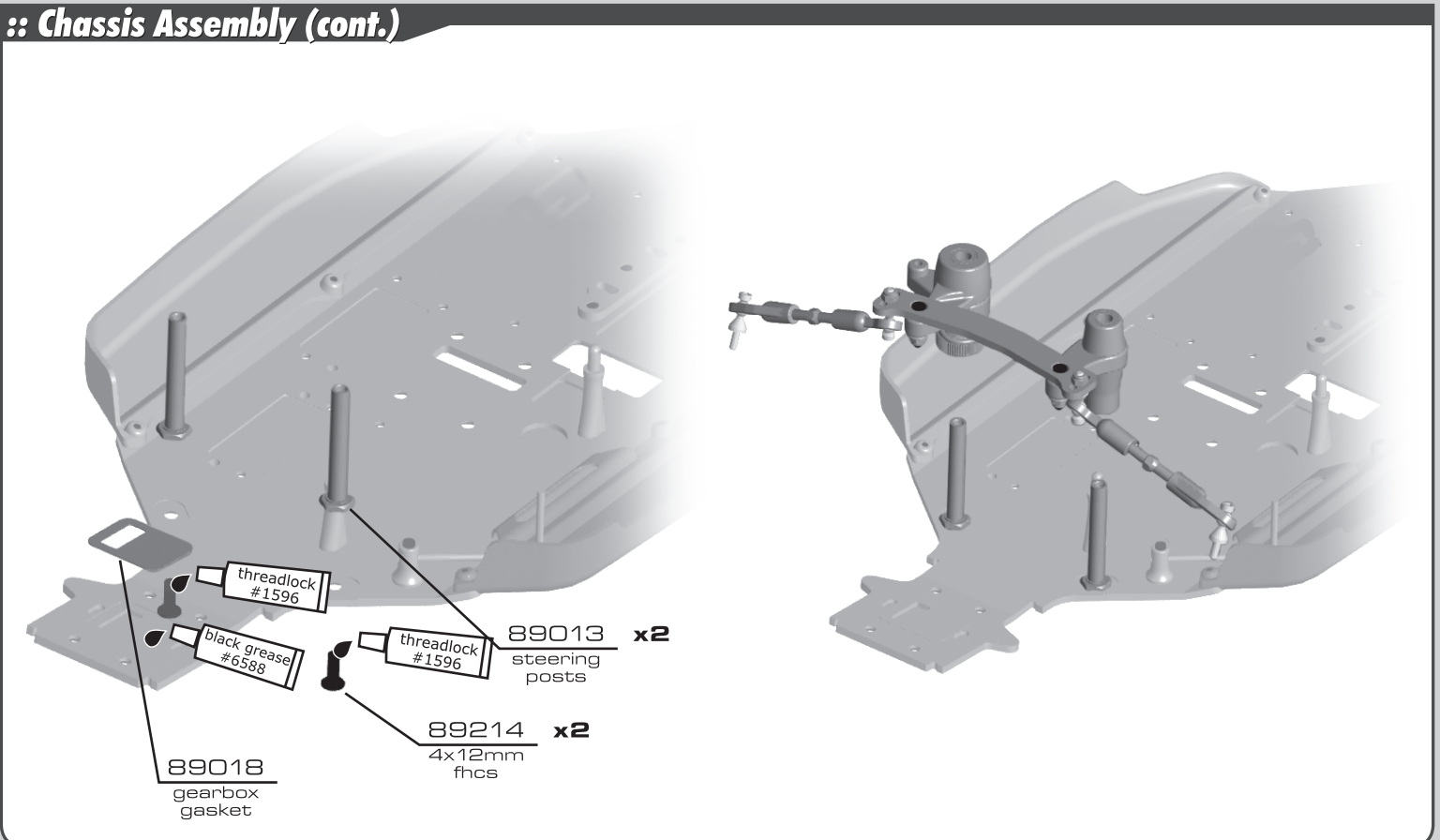
:: Chassis Assembly



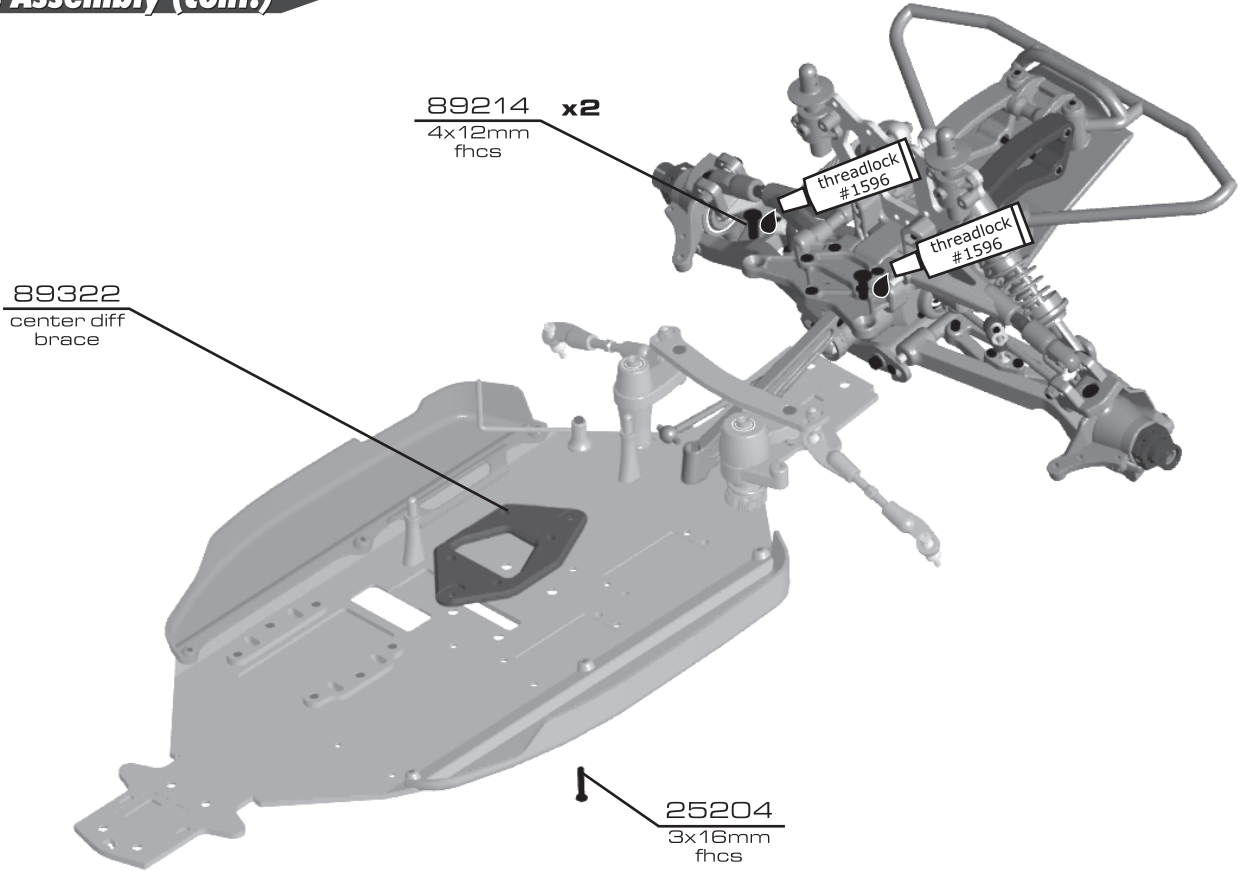
:: Chassis Assembly (cont.)



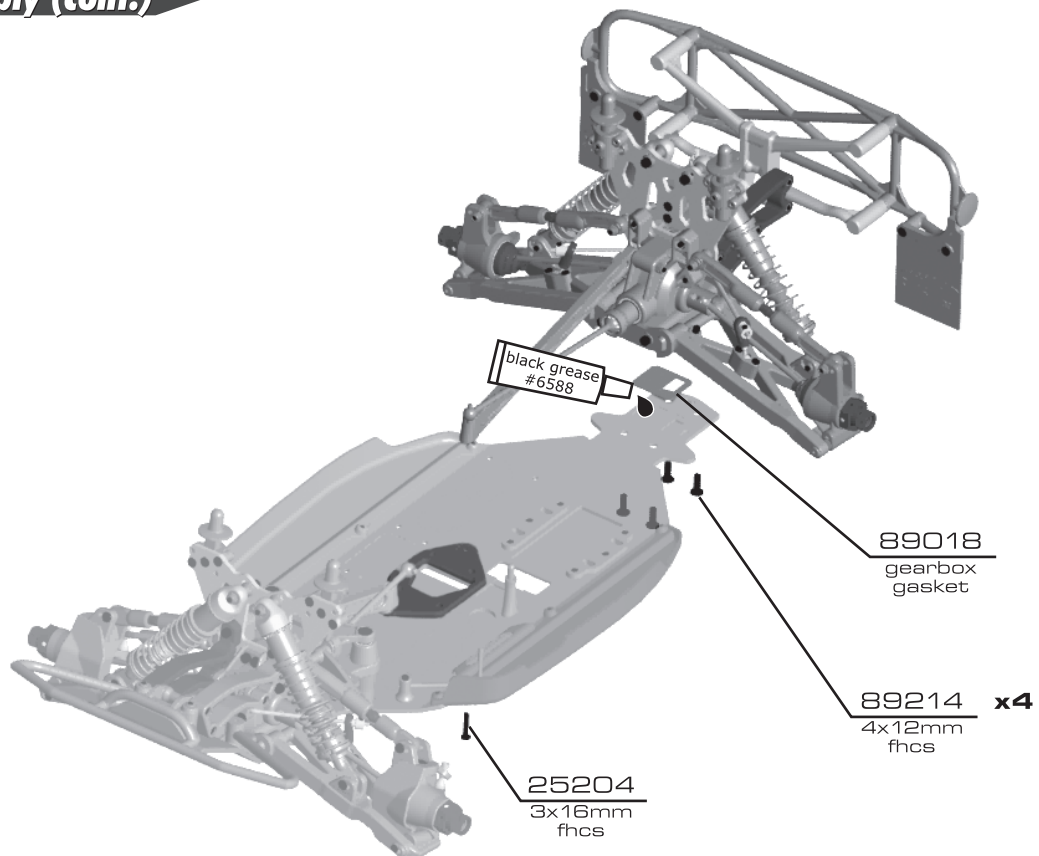
:: Chassis Assembly (cont.)



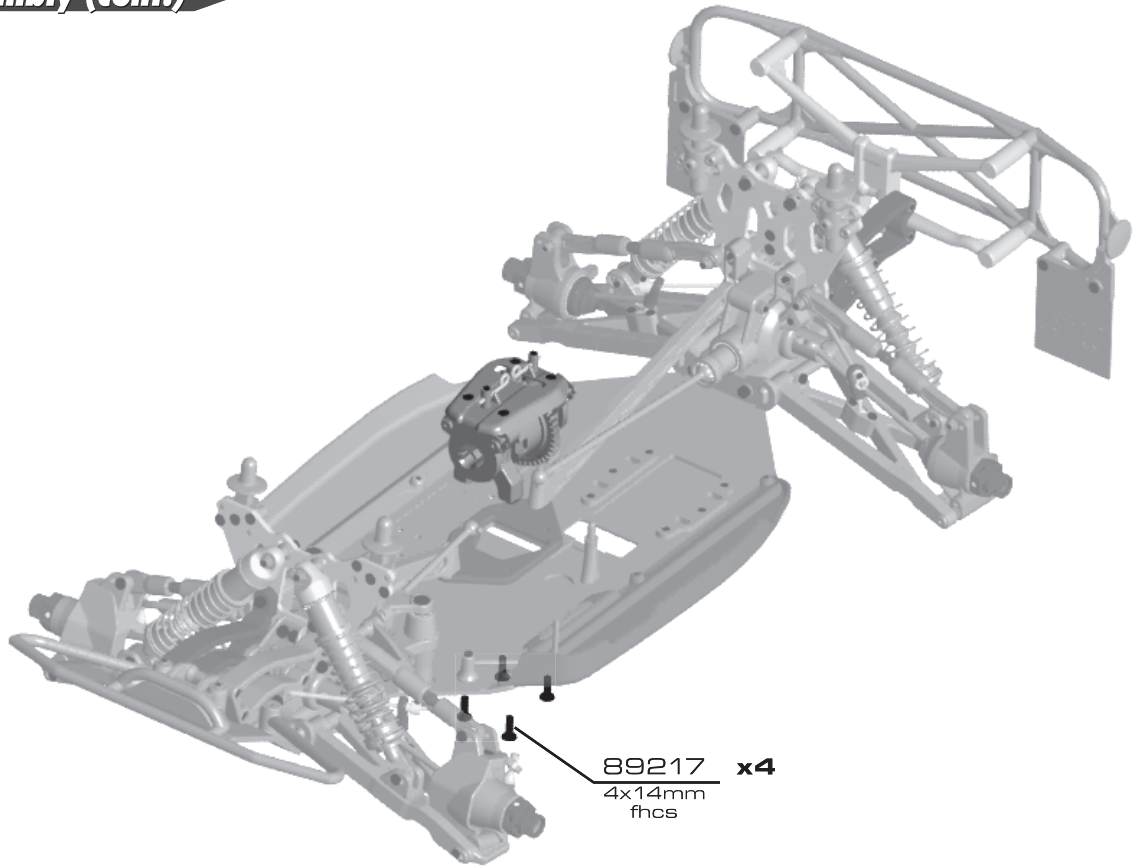
:: Chassis Assembly (cont.)



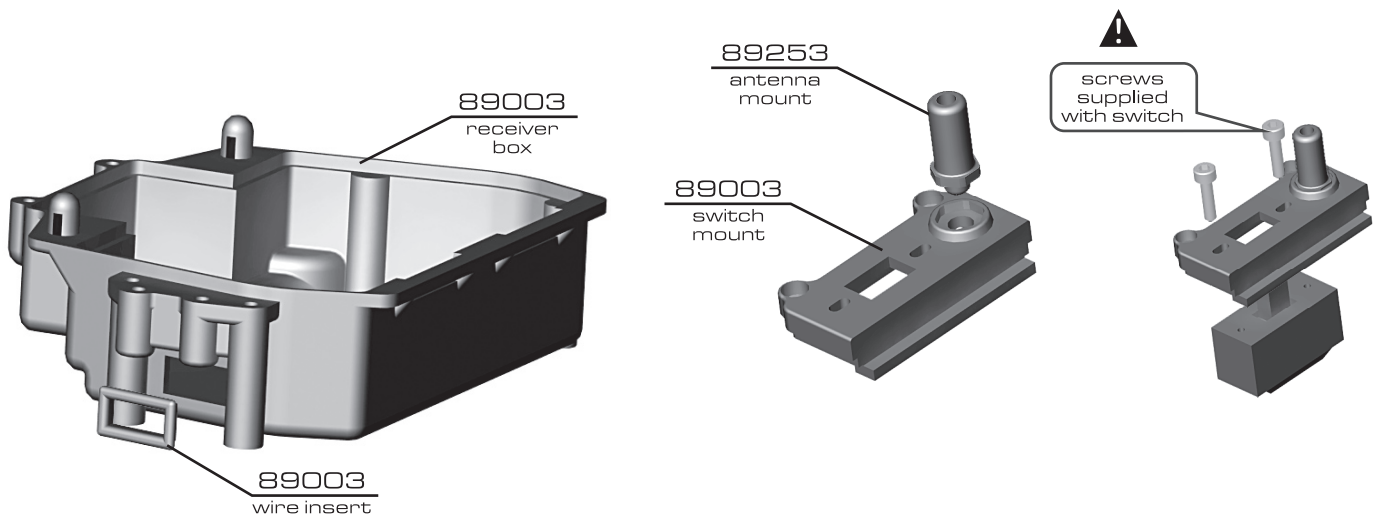
:: Chassis Assembly (cont.)



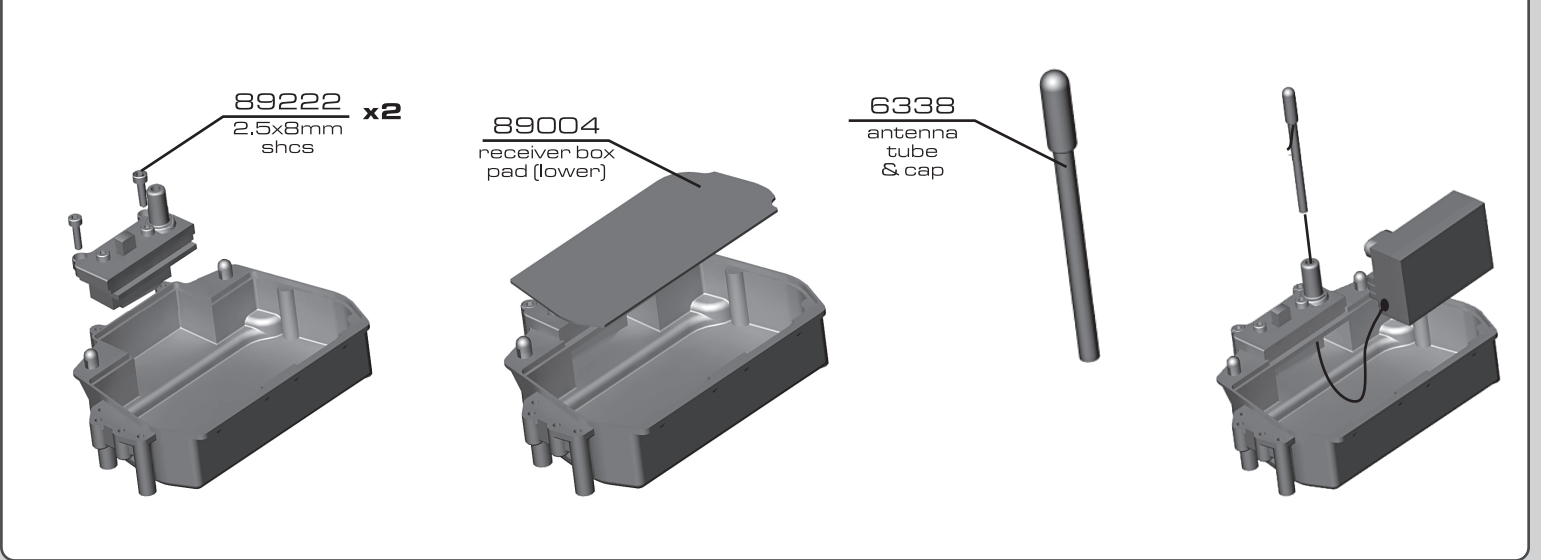
:: Chassis Assembly (cont.)



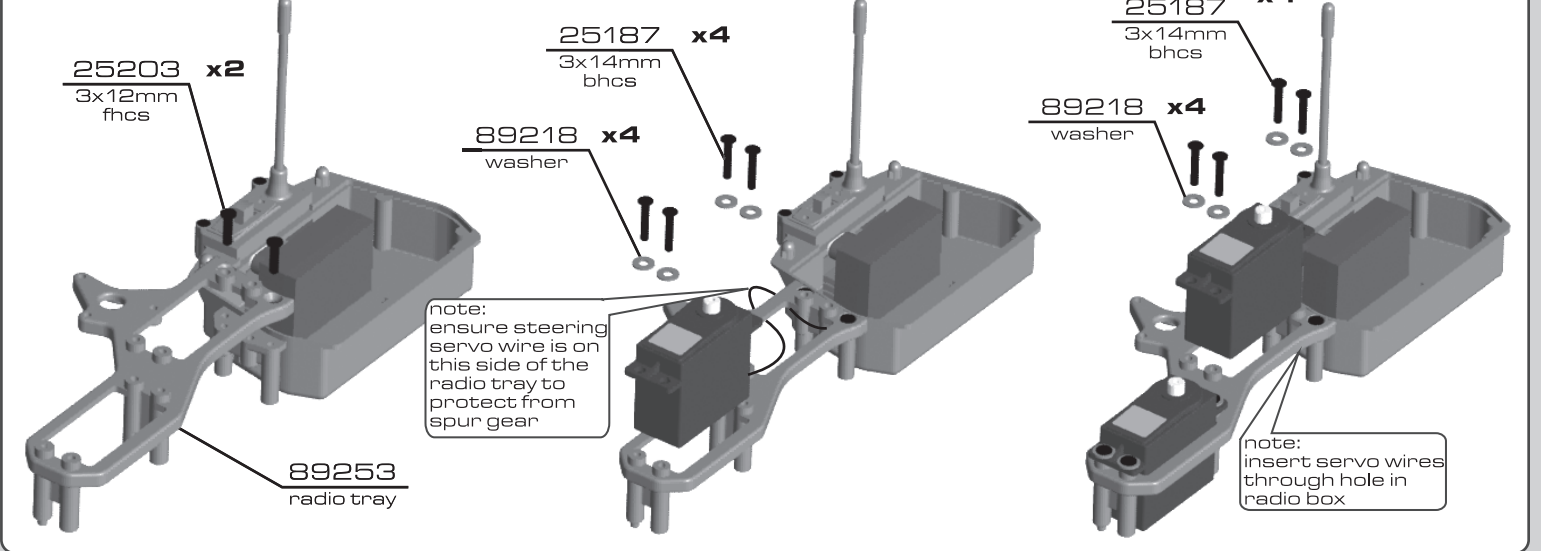
:: Radio Tray Assembly



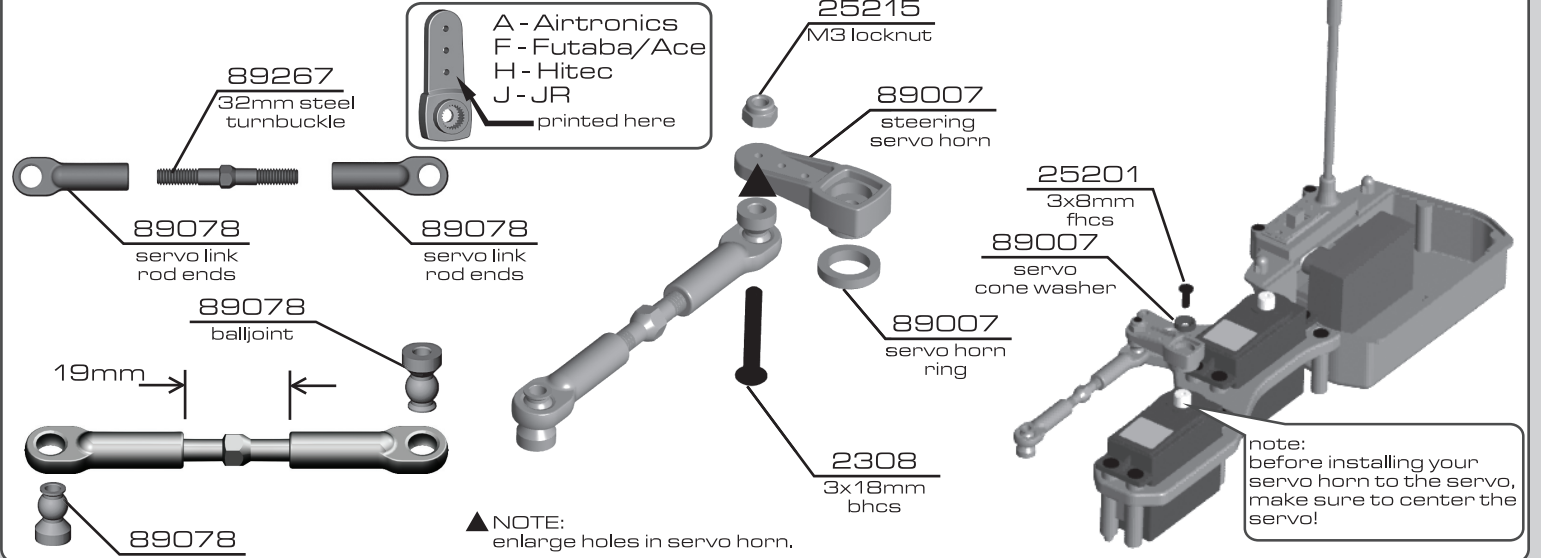
:: Radio Tray Assembly (cont.)



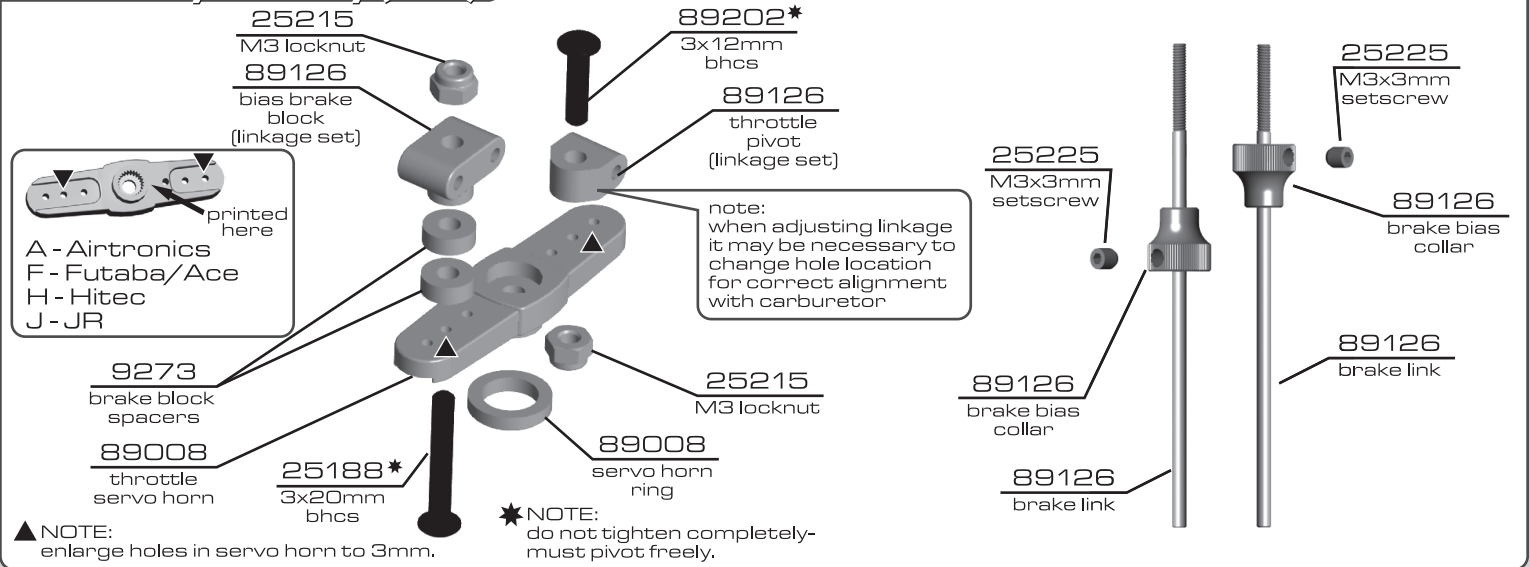
:: Radio Tray Assembly (cont.)



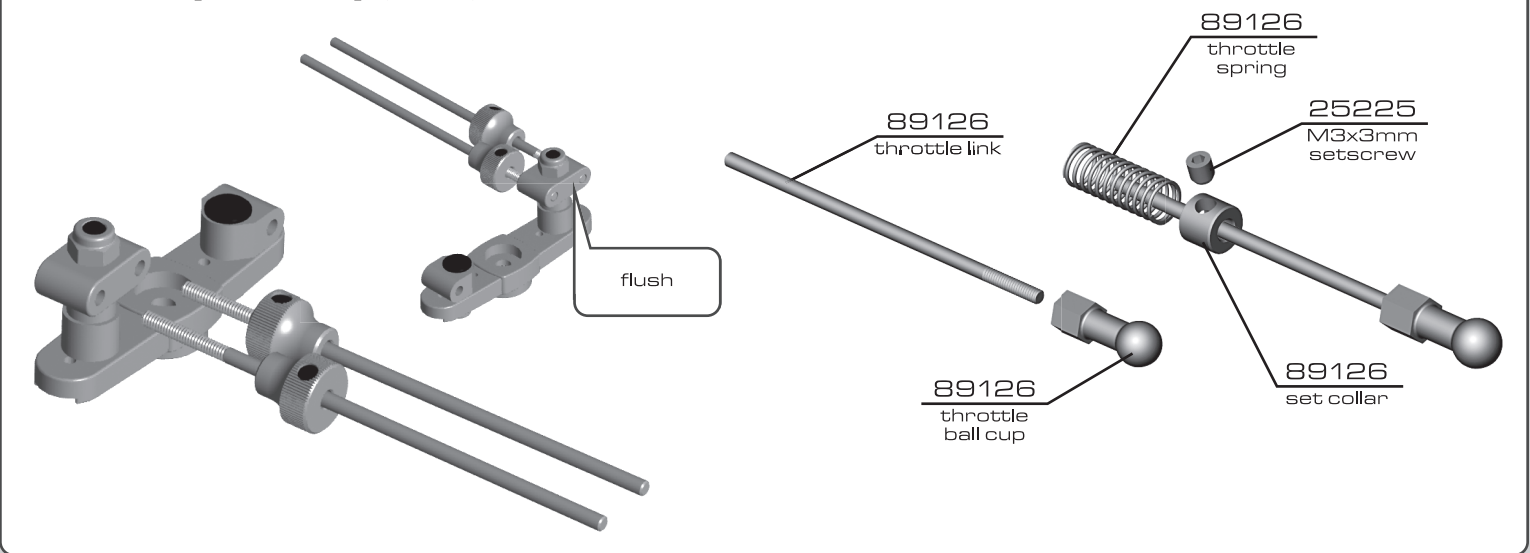
:: Radio Tray Assembly (cont.)



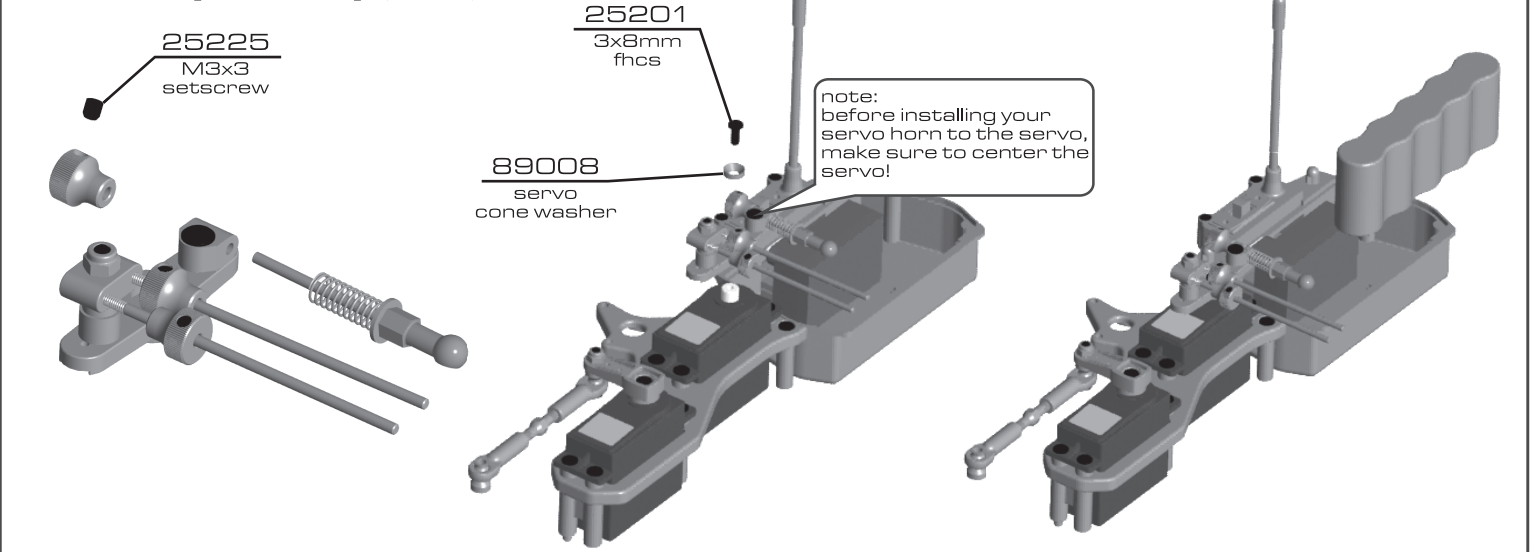
:: Radio Tray Assembly (cont.)



:: Radio Tray Assembly (cont.)

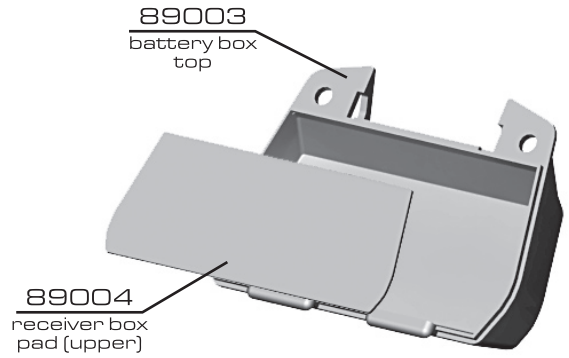
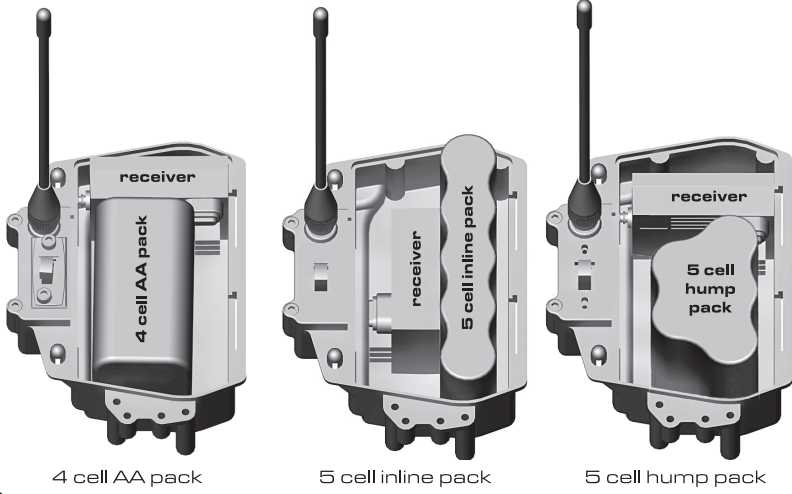


:: Radio Tray Assembly (cont.)

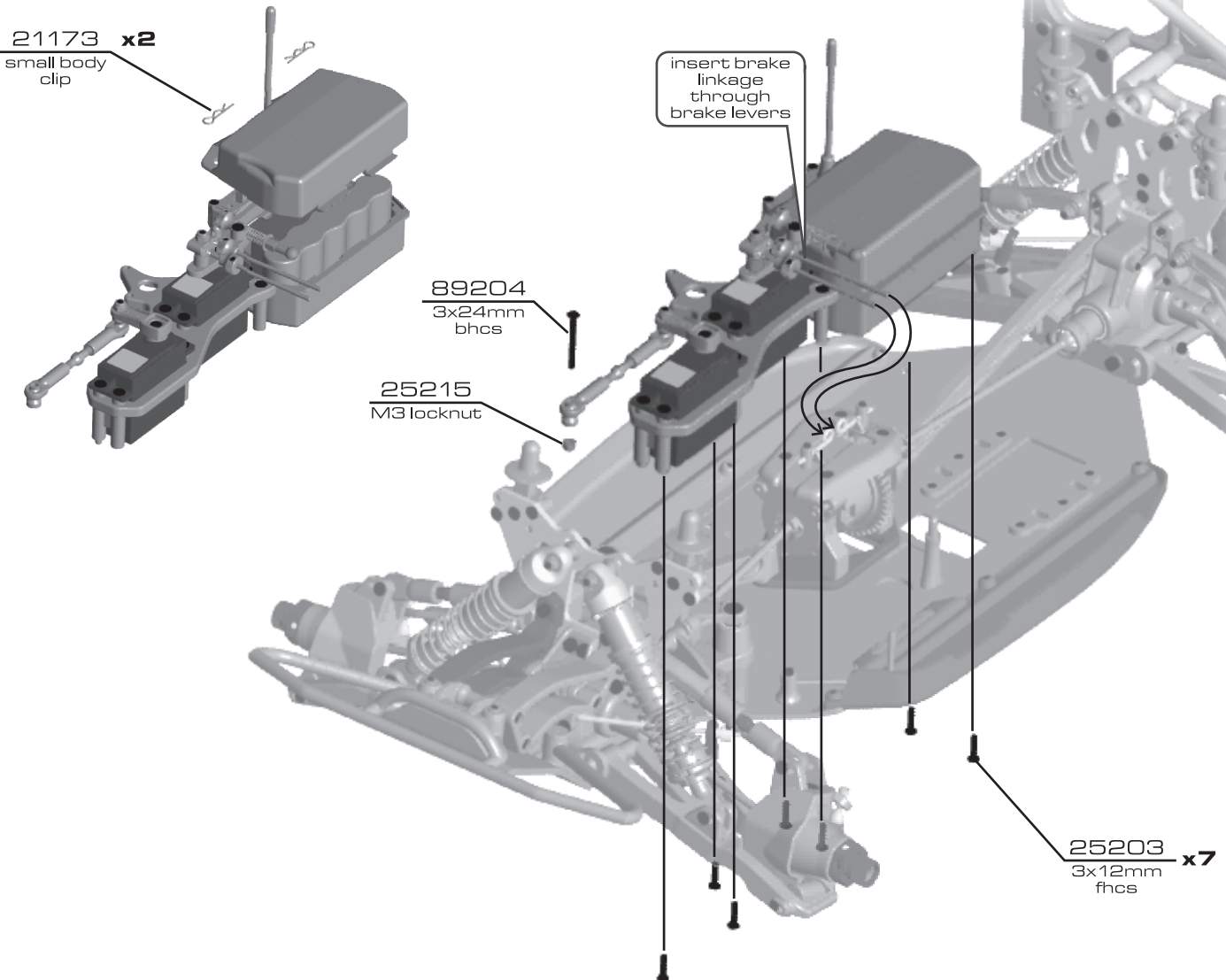


:: Radio Tray Assembly (cont.)

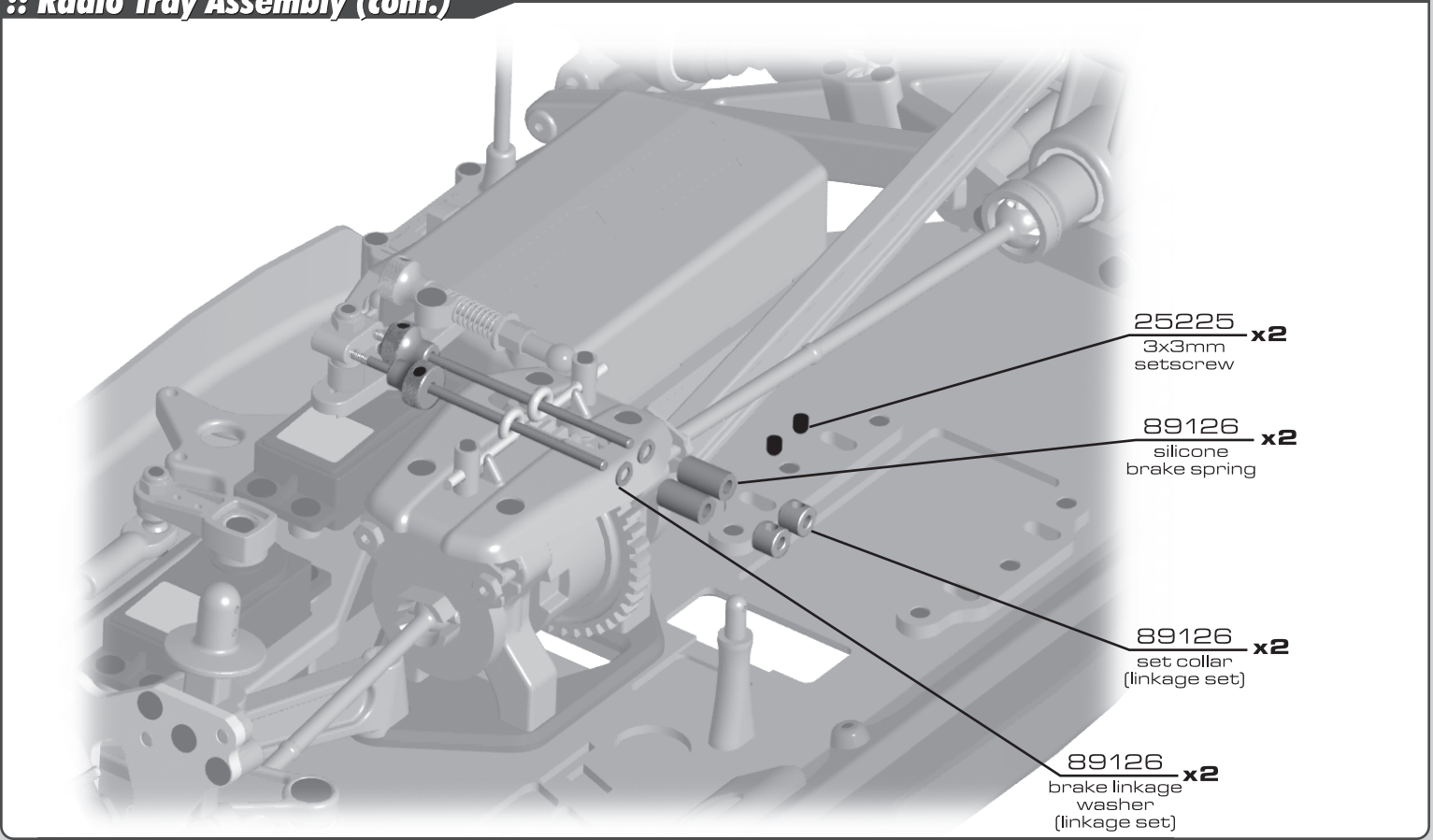
receiver pack configurations



:: Radio Tray Assembly (cont.)



:: Radio Tray Assembly (cont.)



:: Fuel Line

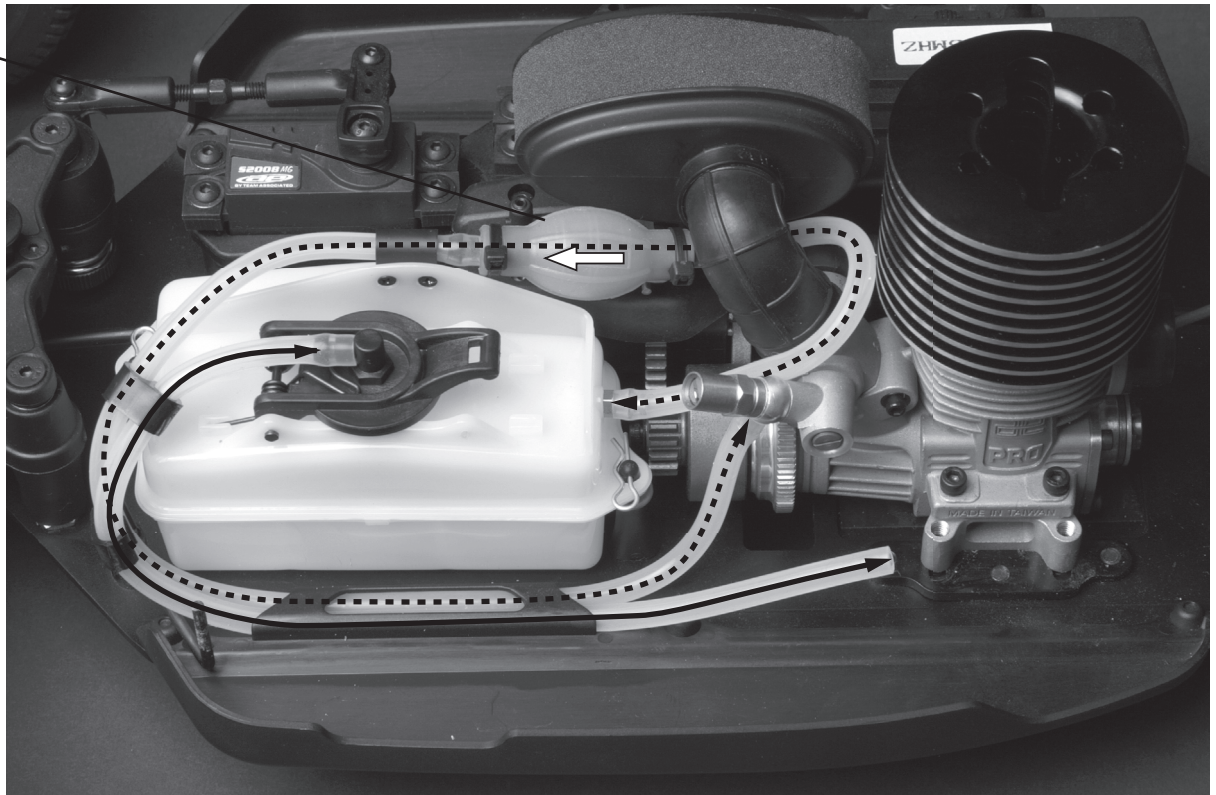
25076
fuel primer
bulb

*picture shown for
fuel line placement
reference ONLY.

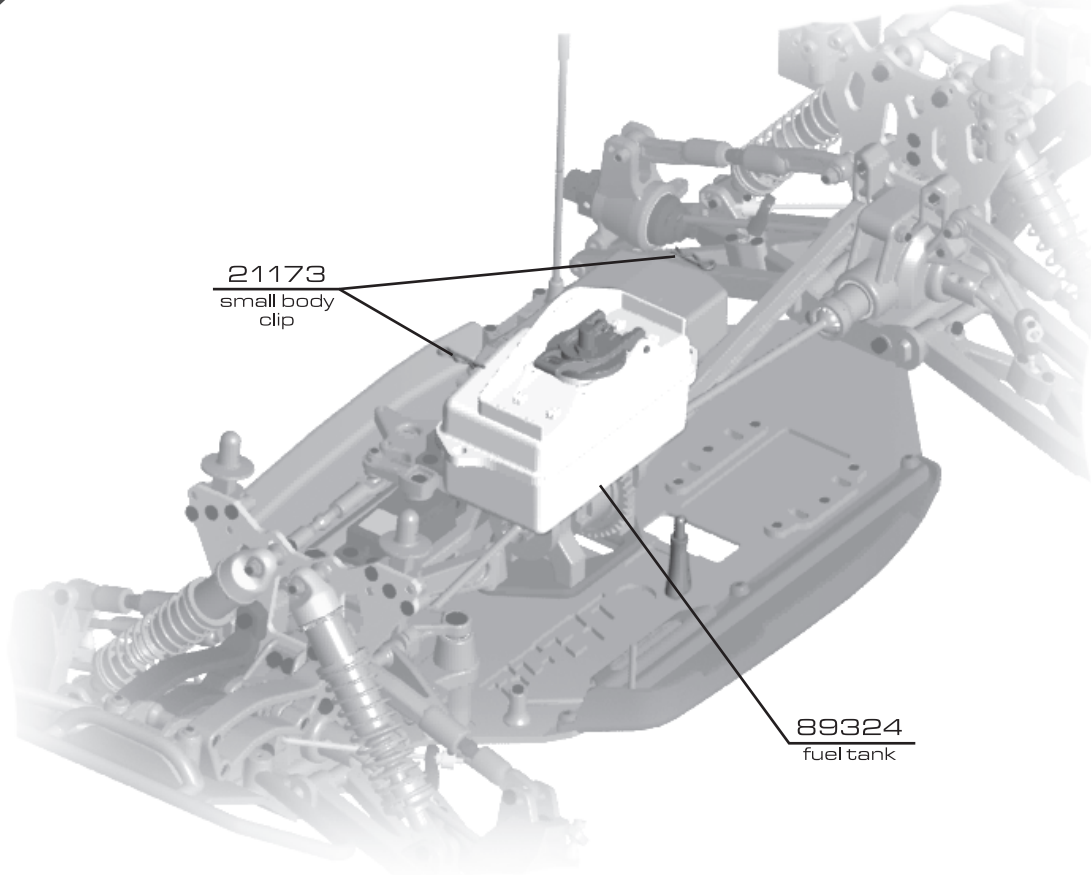
—————
pressure line
from fuel tank lid to
exhaust pipe nipple

.....
fuel line
from fuel tank to
carburetor

note:
make sure the arrow
on the fuel primer
bulb is pointing
towards the
carburetor

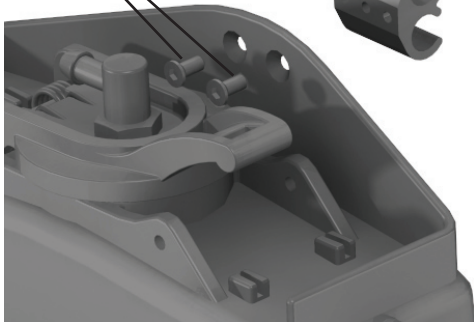


:: Fuel Tank



:: Fuel Tank (cont.)

89326
2x4mm
fhps



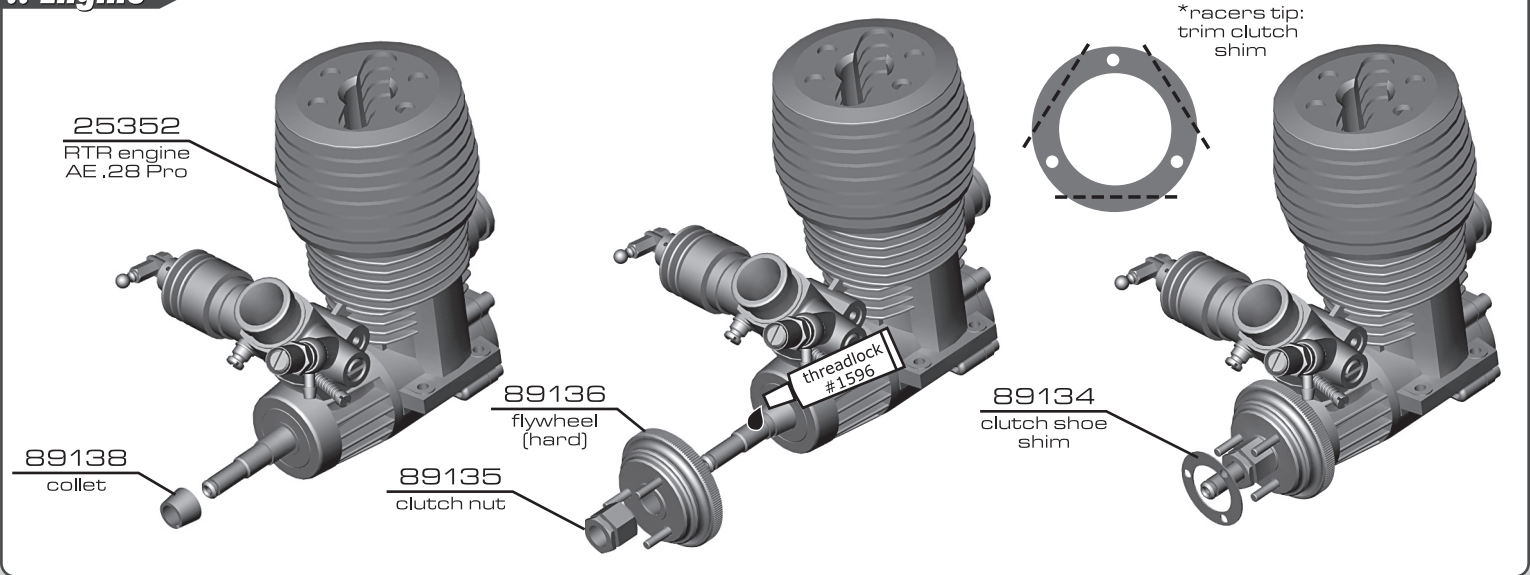
89325
fuel tubing
clip



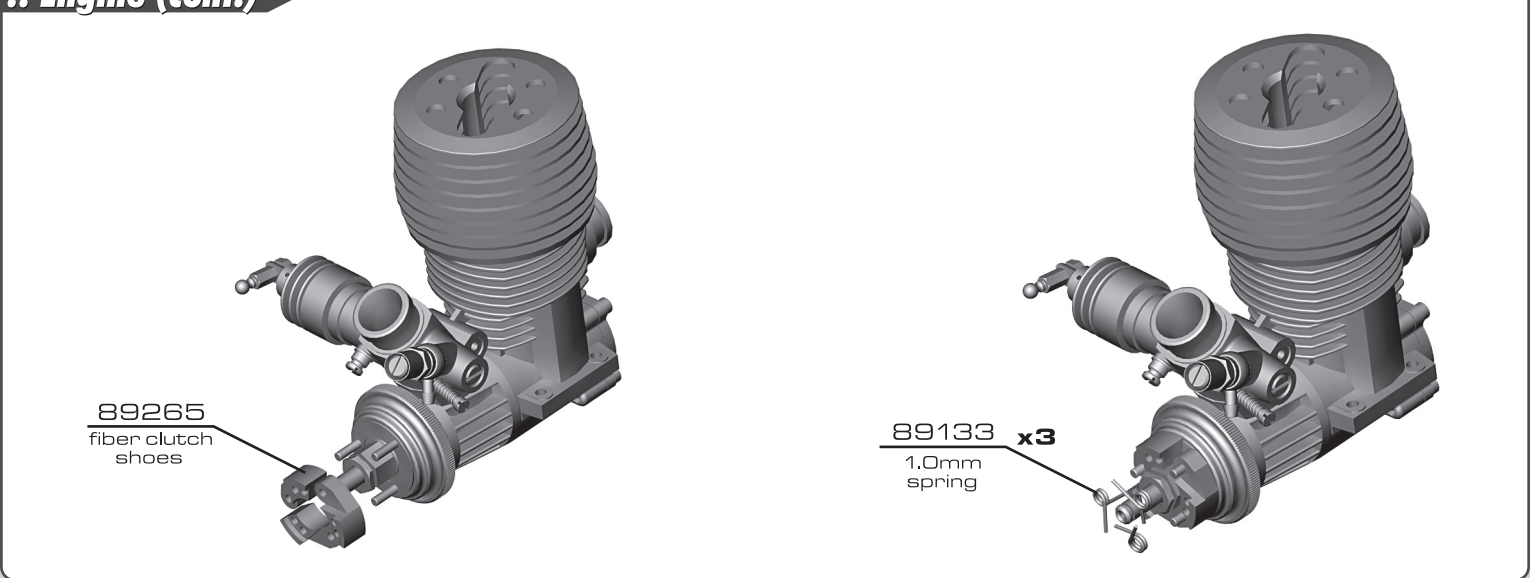
89325
fuel tubing
clip



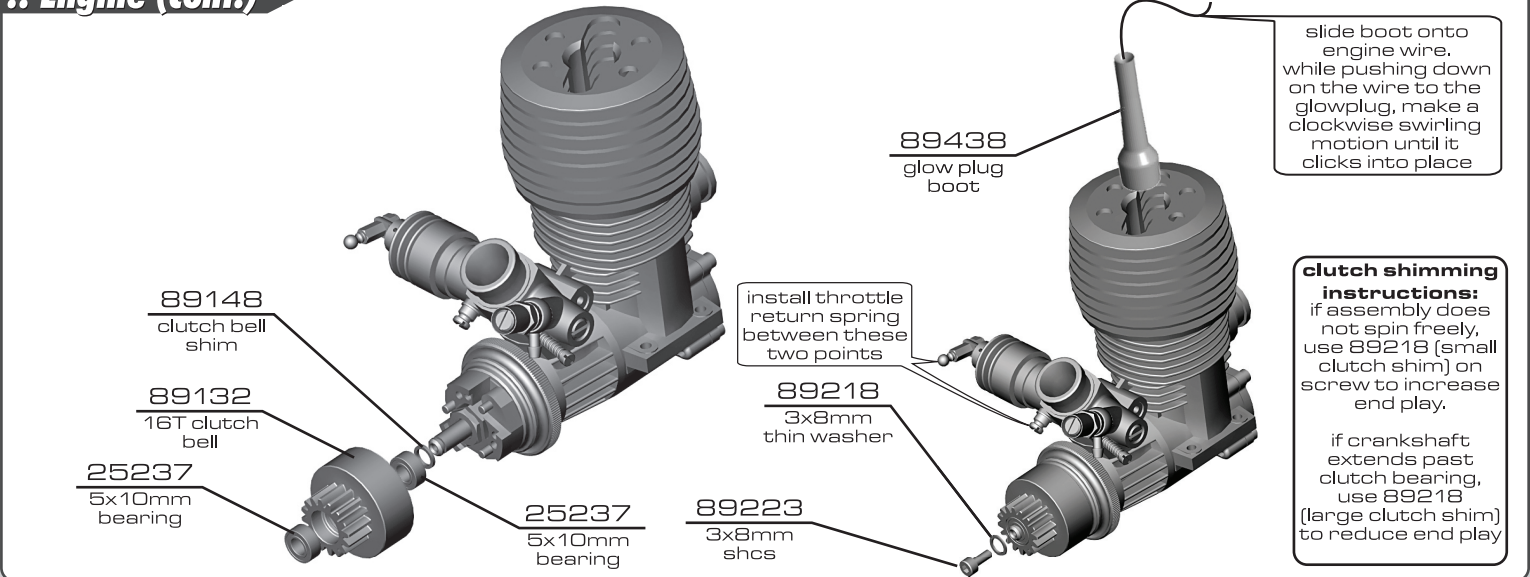
:: Engine



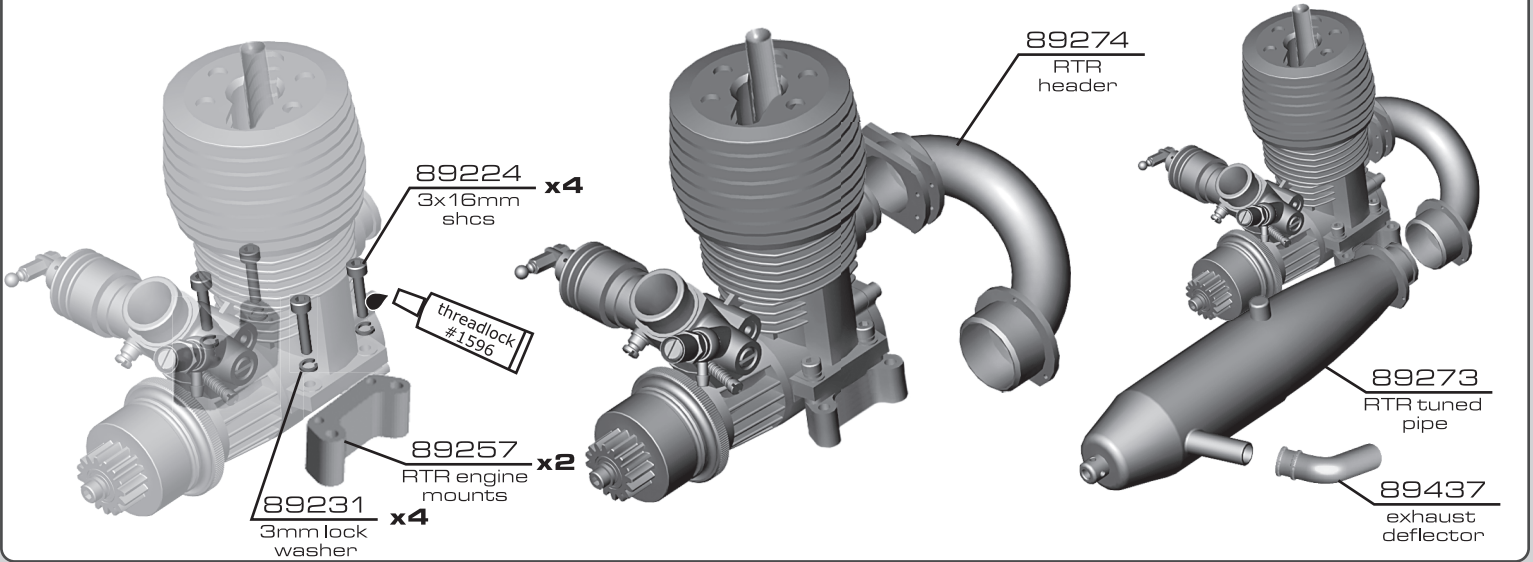
:: Engine (cont.)



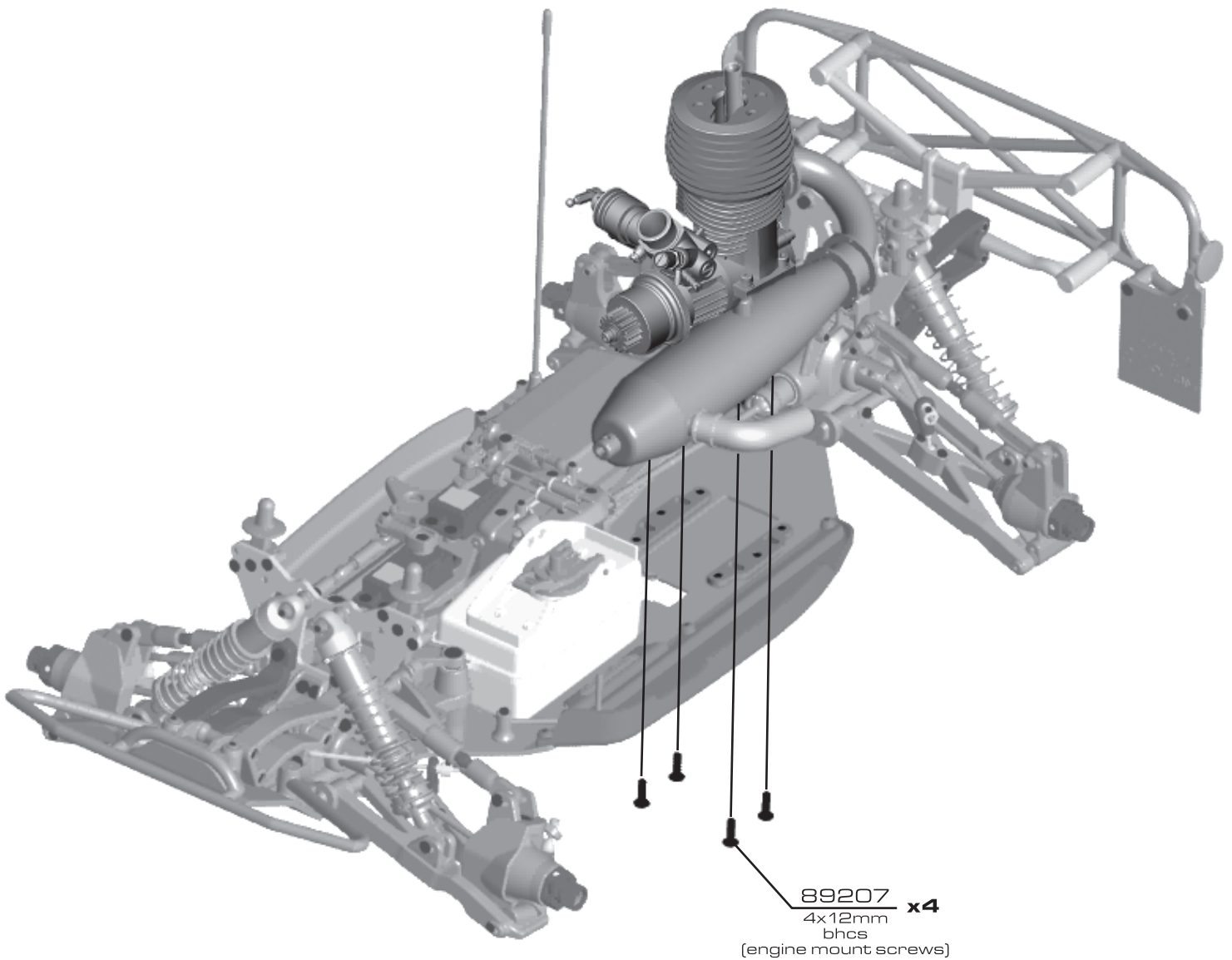
:: Engine (cont.)



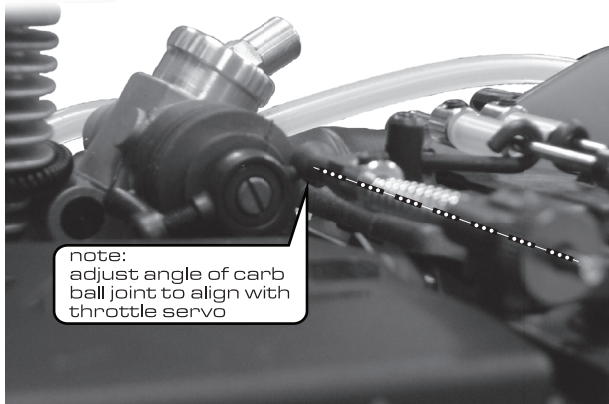
:: Engine (cont.)



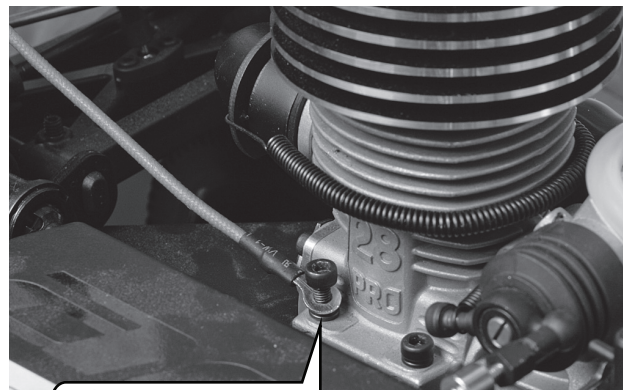
:: Engine (cont.)



:: Engine (cont.)

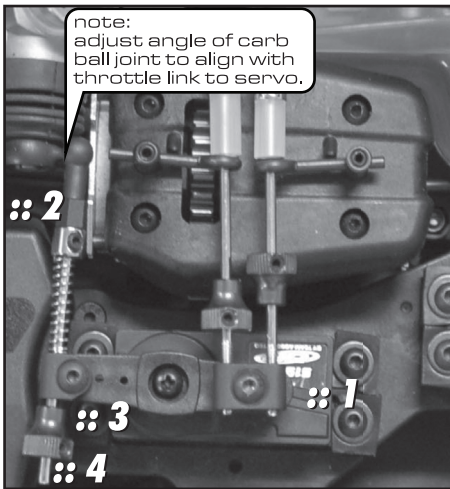


note:
adjust angle of carb
ball joint to align with
throttle servo



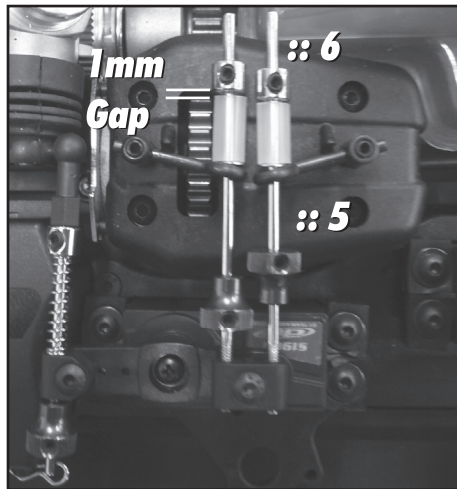
note:
install ground wire on
right rear engine
mount screw, between
the head of the screw
and the lock washer

:: Linkage Adjustment

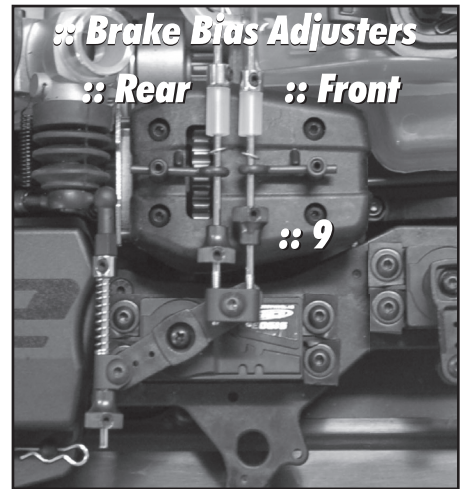


note:
adjust angle of carb
ball joint to align with
throttle link to servo.

- 1: turn on transmitter and car; adjust servo horn until position is parallel with centerline at neutral.
- 2: set pre-load on spring so that throttle will close.
- 3: set .05mm gap on throttle collar.
- 4: trim off excess rod.



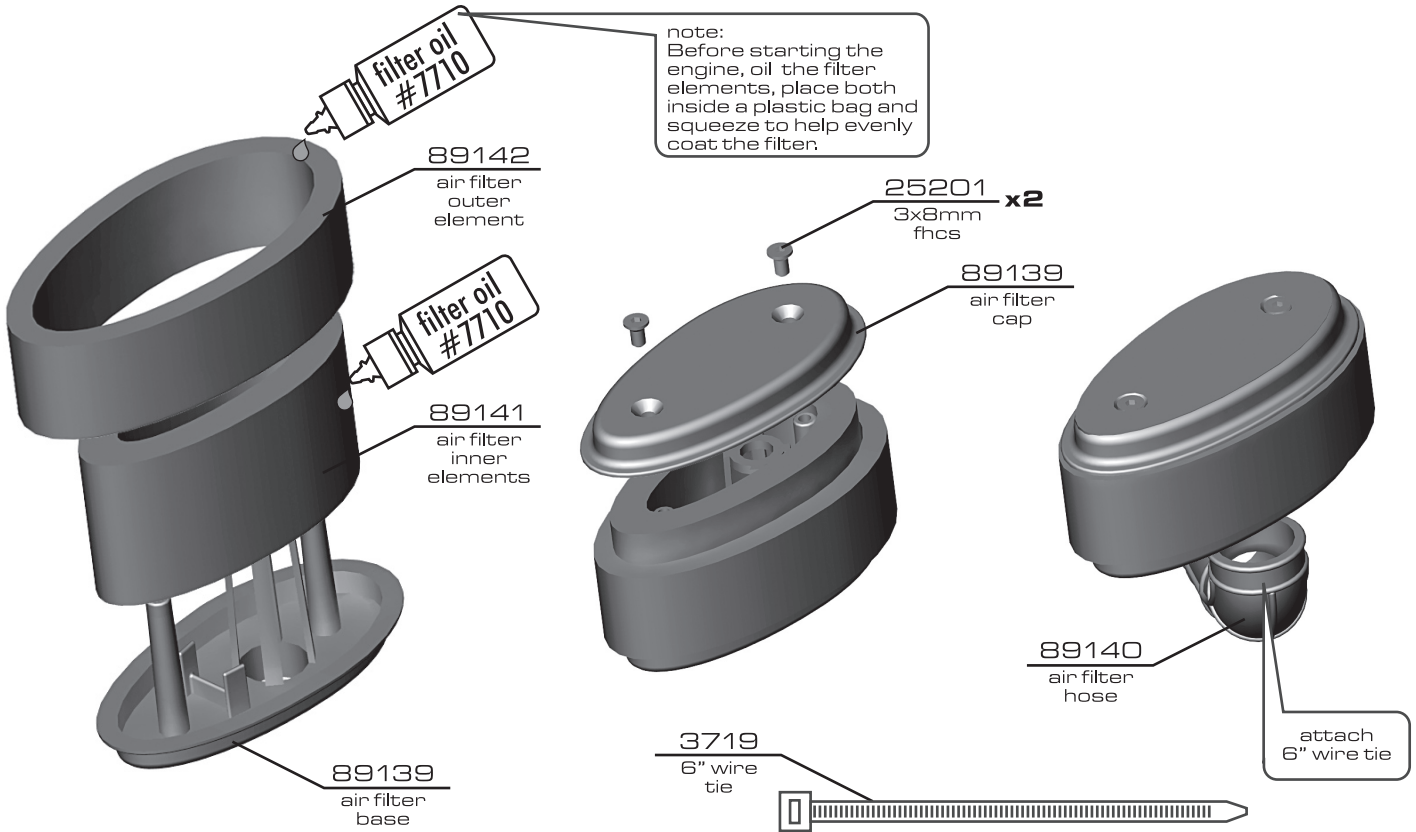
- 5: pull cams to engage brakes. set collar (with brakes engaged) to have 1 mm gap between tubing and collar; remember: transmitter is still on during this step.
- 6: trim off excess brake link wire.



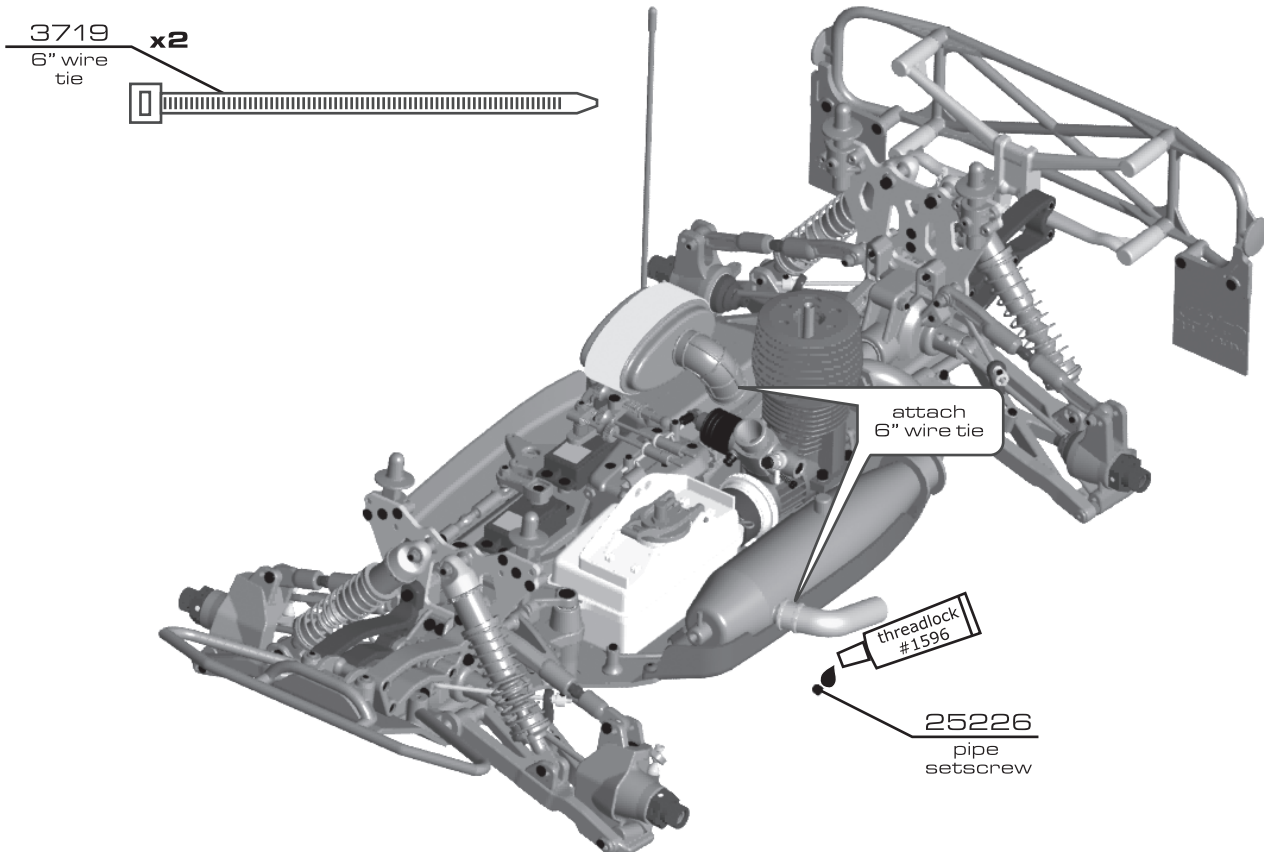
- 7: set throttle EPA max. apply full throttle on transmitter and set EPA so that the carb is full open. be careful not to over-extend the carb.
- 8: set max brake EPA at 30% **AS A STARTING POINT.**
- 9: brake bias adjusters: thread the adjuster into the mount to achieve stronger brakes on that end of the car.

!DO NOT START ENGINE FOR THIS STEP!

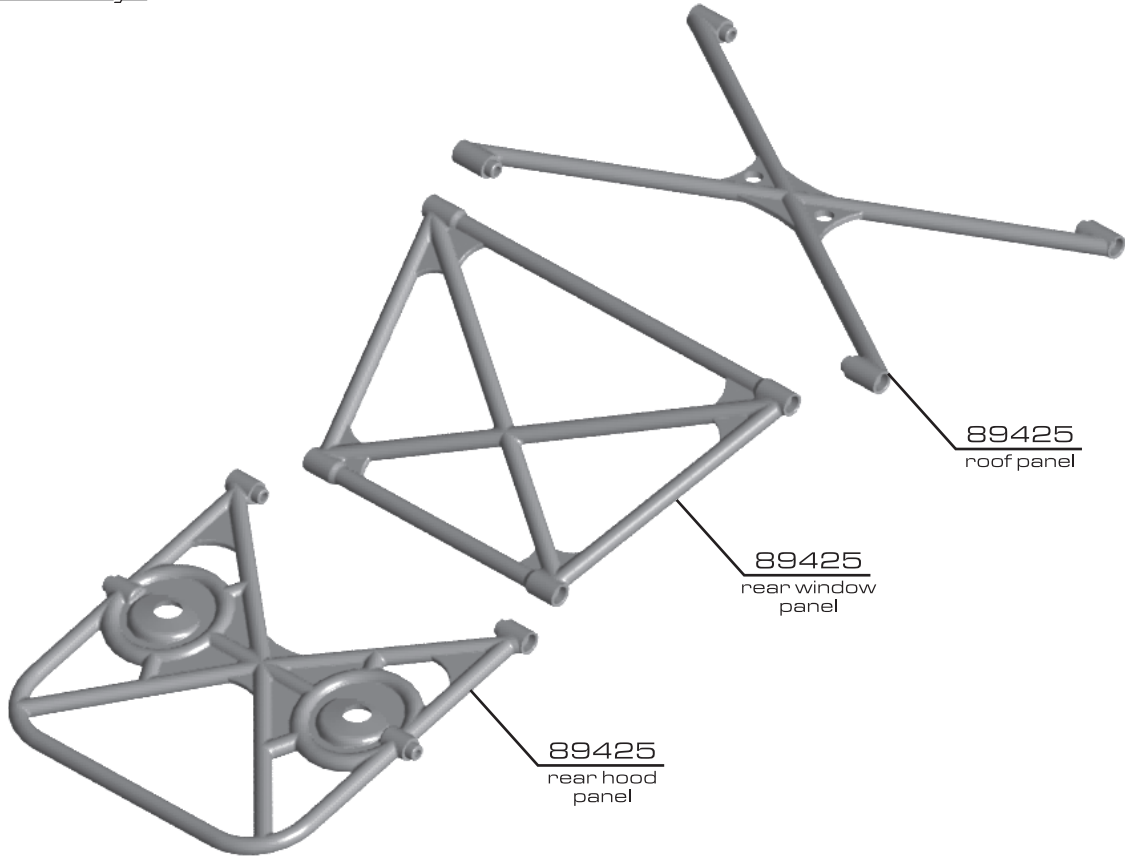
:: Filter Assembly



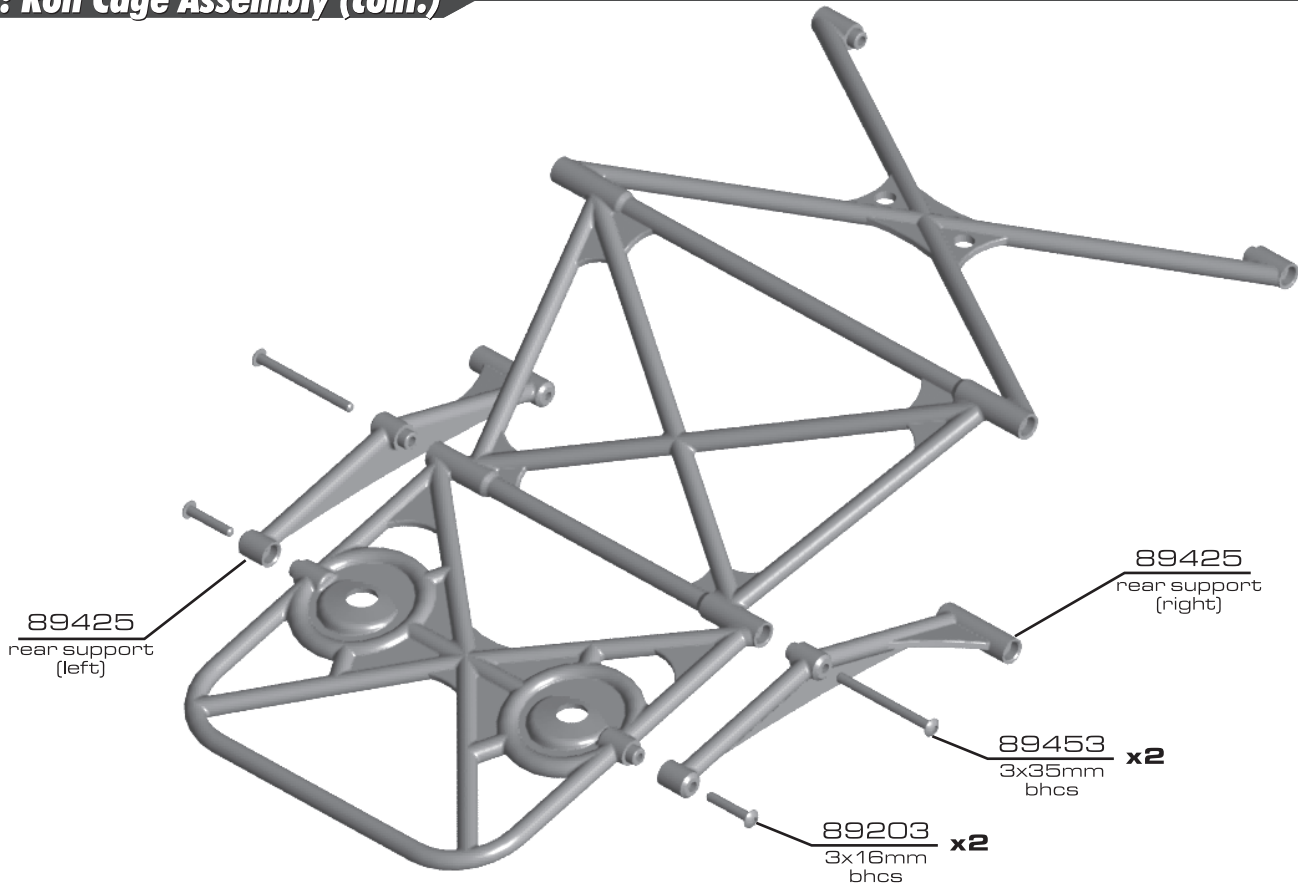
:: Filter Assembly (cont.)



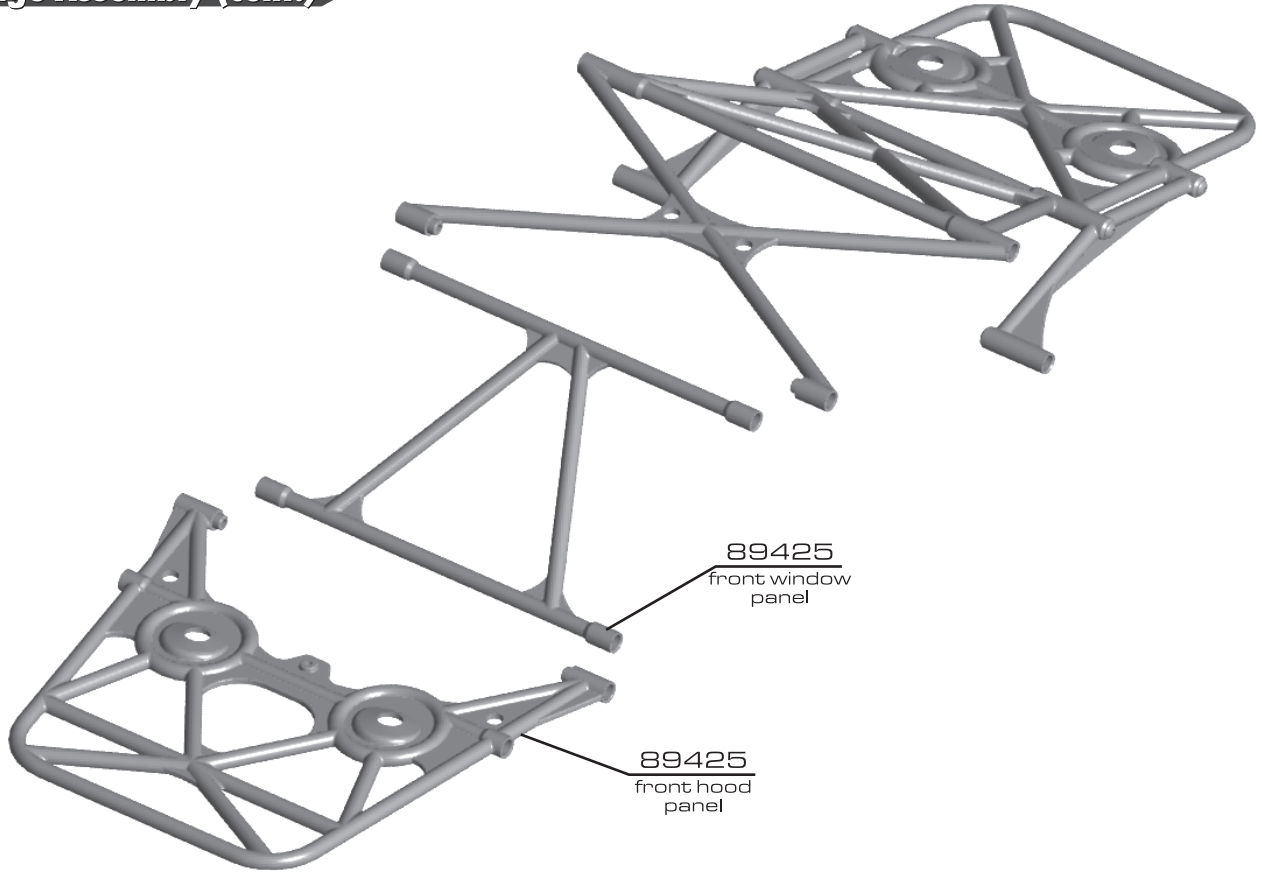
:: Roll Cage Assembly



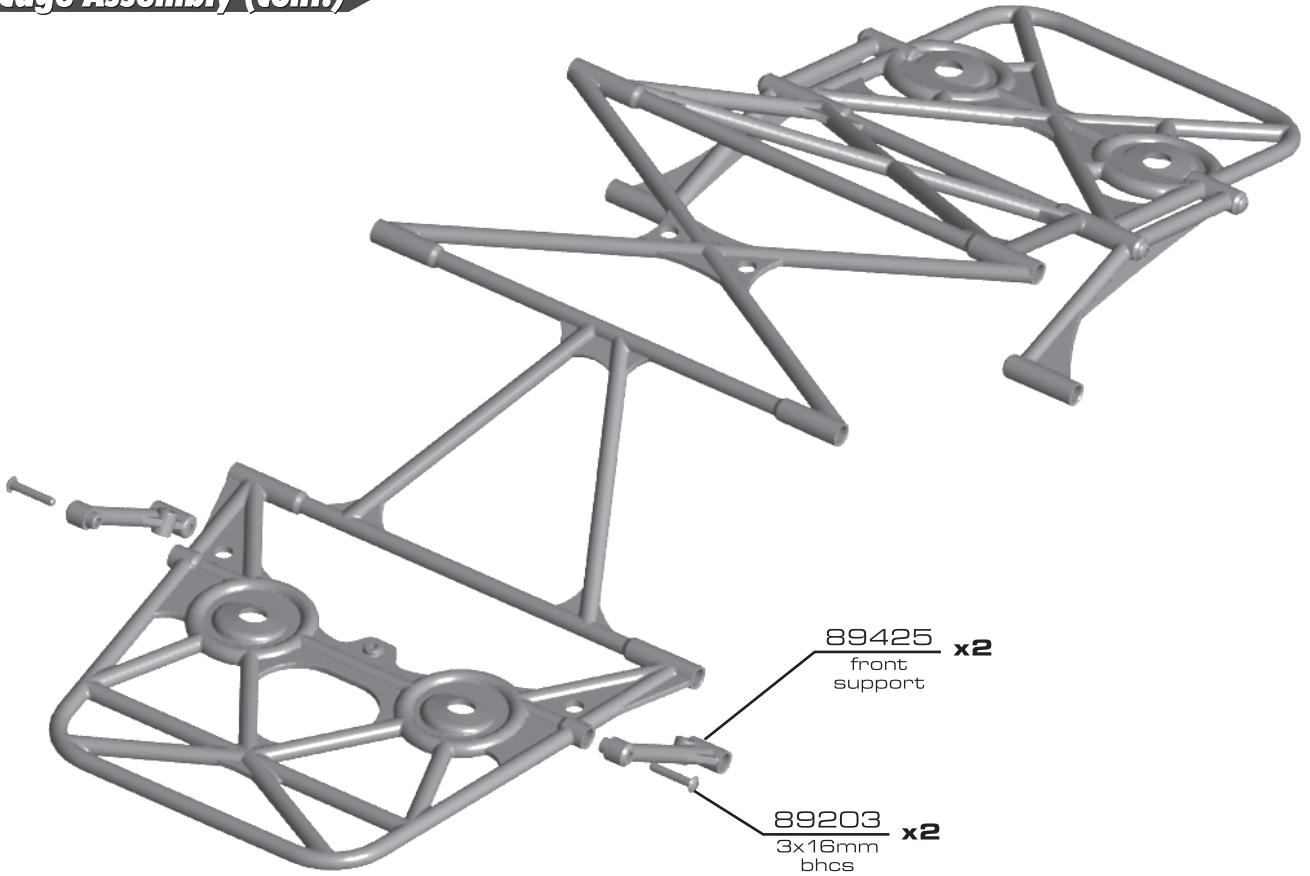
:: Roll Cage Assembly (cont.)



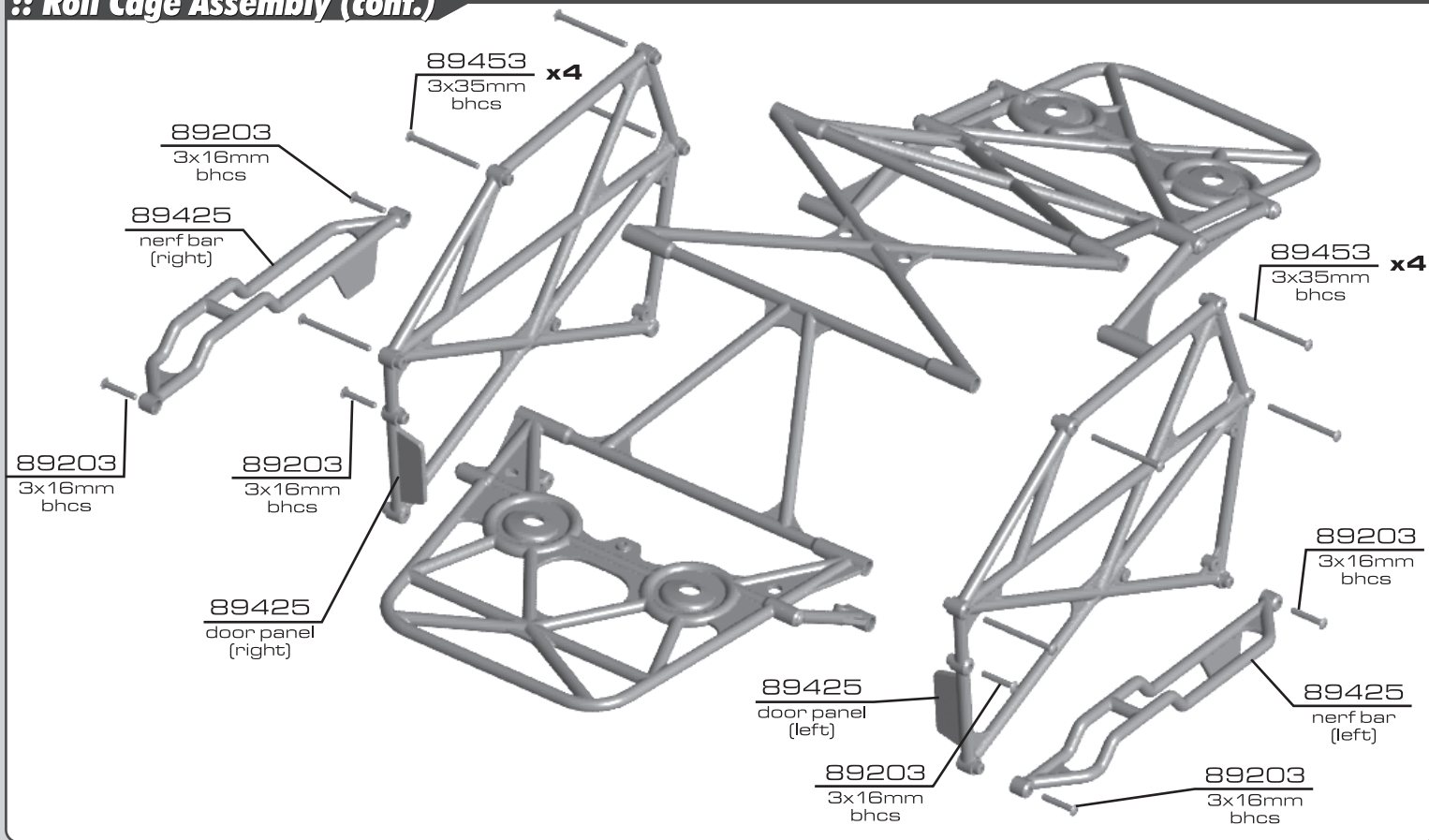
:: Roll Cage Assembly (cont.)



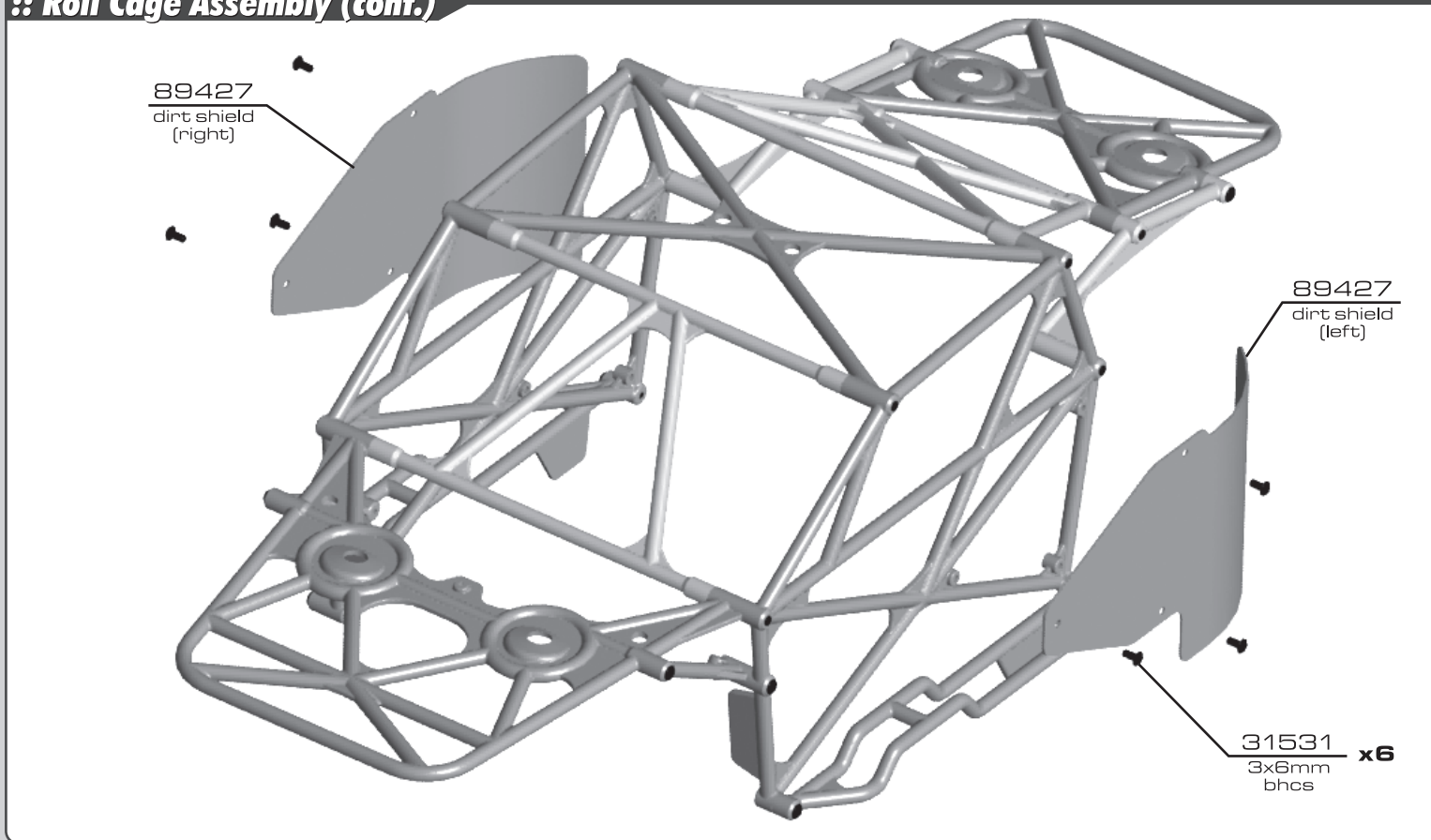
:: Roll Cage Assembly (cont.)



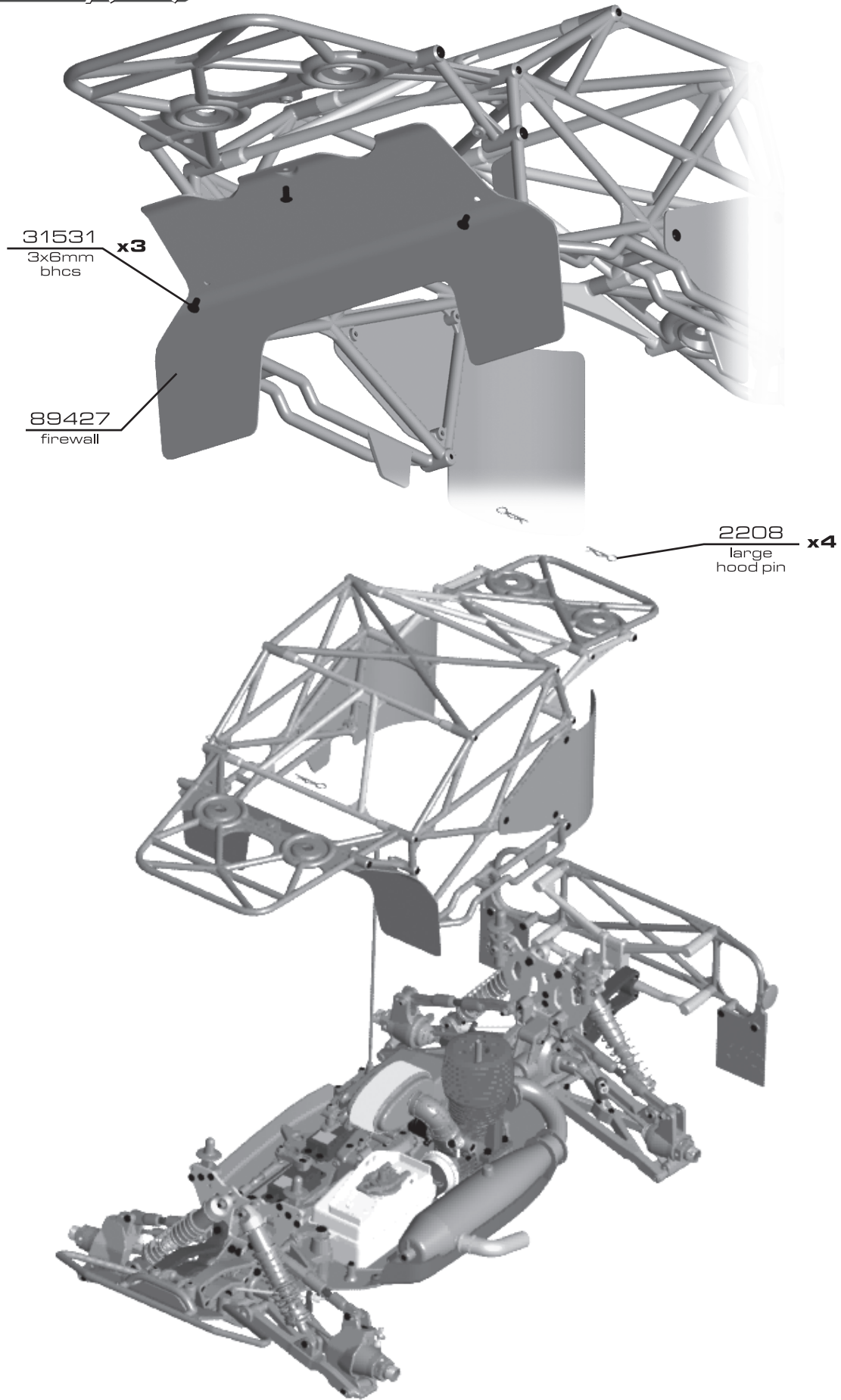
:: Roll Cage Assembly (cont.)



:: Roll Cage Assembly (cont.)



:: Roll Cage Assembly (cont.)



:: Wheel Assembly

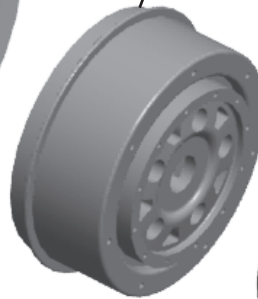
89422
SC8 tire



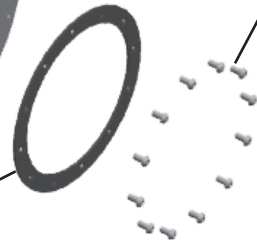
89422
tire foam



89401 (kmc silver)
89402 (kmc black)
89403 (12 spoke silver)
wheel



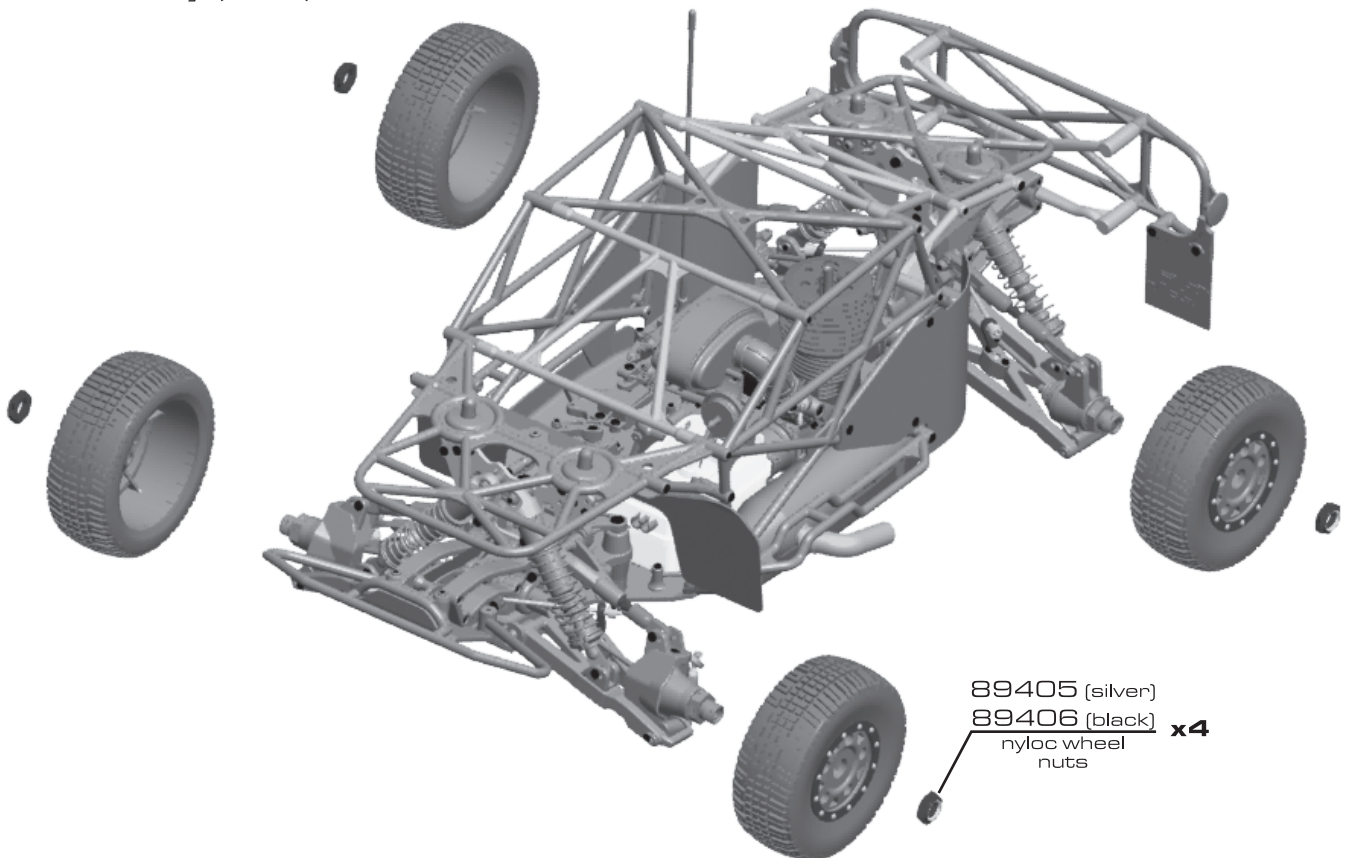
89416 (black)
89417 (silver) x12
2x4mm
bhcs



89407 (silver)
89408 (black)
89409 (red)
beadguard

Build 4

:: Wheel Assembly (cont.)



89405 (silver)
89406 (black) x4
nyloc wheel
nuts

:: Body Install













:: Complete Truck

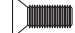












:: Hardware - 1:1
















cap head (shcs)

-  2.5x8mm (89222)
-  3x8mm (89223)
-  3x10mm (25620)
-  3x14mm (25190)
-  3x16mm (89224)
-  3x18mm (25191)
-  3x20mm (25192)
-  3x24mm (89225)
-  3x40mm (89228)
-  3x50mm (89452)






flat head (fhcs)

-  3x8mm (25201)
-  3x10mm (25202)
-  3x12mm (25203)
-  3x14mm (89208)
-  3x16mm (25204)
-  3x18mm (89209)
-  3x20mm (89210)
-  3x26mm (89211)
-  3x30mm (89212)
-  4x6mm (89213)
-  4x12mm (89214)




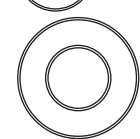
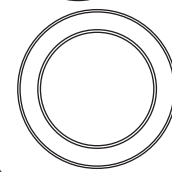
button head (bhcs)

-  2x4mm black (89416)
silver (89417)
-  2.5x3mm (89201)
-  2.5x6mm (31520)
-  3x6mm (31531)
-  3x10mm (25211)
-  3x12mm (89202)
-  3x14mm (25187)
-  3x16mm (89203)
-  3x18mm (2308)
-  3x20mm (25188)
-  3x24mm (89204)
-  3x26mm (89205)
-  3x35mm (89453)
-  4x10mm (89206)
-  4x12mm (89207)

setscrews

-  3x3mm (25225)
-  3x5mm (89219)
-  4x5mm (25226)
-  4x12mm (89220)
-  5x4mm (89221)






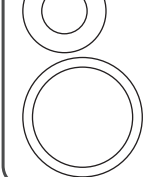
ball bearings

-  steering bearing (89161)
-  5x10mm (25237)
-  6x10mm (31404)
-  8x16mm (25236)
-  15x21mm (89162)

nuts (lock/plain)

-  piston locknut (89215)
-  m3 locknut (25215)
-  m4 locknut (89216)

shims & washers

-  linkage set washer (89126)
-  2.5mm washers (89278)
-  3x8mm washer (89218)
-  clutch bell shims (89148)
-  diff washer (89120)
-  diff shim (89117)

notes

Setup Sheet for Team Associated's SC8

Rev. 1

:: Front Suspension

anti-roll bar:
 2.2 - black
 2.5 - silver
 2.8 - gold

front body
 mount hole



steering rack:
 back
 mid
 front

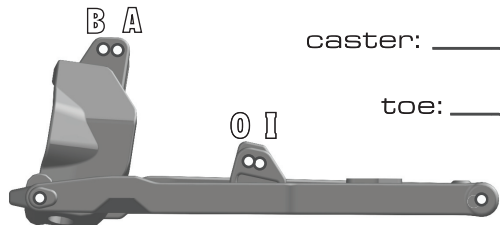
hinge pin
 bushing

up down

camber: _____

caster: _____

toe: _____



kickup bushing

up down

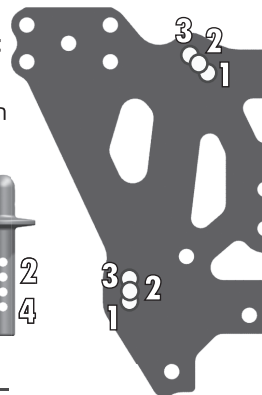
ride height: _____

:: Rear Suspension

anti-roll bar:
 2.2 - black
 2.5 - silver
 2.8 - gold

wheelbase:
 long
 medium
 short

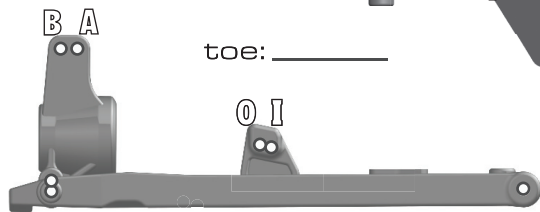
rear body
 mount hole



camber: _____

toe: _____

hub:
 upper
 lower



anti-squat
 bushing

up down

ride height: _____

:: Front Shocks

spring: _____ piston: _____
 shock fluid: _____ length: _____
 shock cap: _____

:: Rear Shocks

spring: _____ piston: _____
 shock fluid: _____ length: _____
 shock cap: _____

:: Differentials

front fluid: _____
 center fluid: _____
 rear fluid: _____

:: Wing

location: forward back
 angle: low med. high
 type: _____

:: Chassis Braces

standard molded aluminum
 other: _____

:: Engine

engine: _____ restrictor: _____
 muffler: _____ temp: _____
 glow plug: _____
 fuel: _____

:: Gearing/Clutch

gearing: _____
 shoes: _____ x aluminum _____ x fiber
 spring: _____ x .9mm _____ x 1.0mm _____ x 1.1mm
 notes: _____

:: Notes

:: Tires

tire (F/R): _____ / _____
 compound (F/R): _____ / _____
 insert: _____ wheel: _____

:: Race and Vehicle Comments

qualify: _____ main: _____ finish: _____ tq:
 comments: _____

:: Track Info

traction: high med. low
 surface: smooth bumpy
 blue groove soft dirt grass
 clay wet dusty
 other: _____



Associated Electrics, Inc.
26021 Commercentre Dr.
Lake Forest, CA 92630 USA
<http://www.TeamAssociated.com>
<http://www.RC10.com>