

**TRAIL PROVEN
OFF-ROAD
PERFORMANCE**

SCX10

DINGO
BUILDER'S KIT
1/10th SCALE ELECTRIC 4WD



 **axial**®

www.axialracing.com

SCX10

CAUTIONS



To prevent serious personal injury and/or property damage, operate all remotely controlled models in a responsible manner as outlined herein.

CHOOSE THE RIGHT PLACE TO OPERATE YOUR R/C MODEL.

- Do not run on public streets or highways. This could cause serious accidents, personal injuries, and/or property damage.
- Never run R/C models near people or animals.
- To avoid injury, do not run in confined spaces.
- Do not run where loud noises can disturb others, such as hospitals and residential areas.
- Never run indoors. There is a high risk of fire and/or damage.

INSPECT YOUR MODEL BEFORE OPERATION.

- Make sure that all screws and nuts are properly tightened. It is also a good idea to use removable thread lock wherever metal screws go into metal, especially for engine mounts and the engine pilot shaft.
- Always use fresh batteries for your transmitter and for your receiver to avoid losing control of the model.
- Always test the brakes and throttle before starting your engine to avoid losing control of the model.
- Make sure no one else is using the same radio frequency as you are using.

AFTER OPERATION OF YOUR R/C MODEL

- Turn off receiver first, then turn off transmitter, this will prevent runaways.
- Be careful when handling batteries, they will be hot after running.
- Replace any batteries that have been dented or have frayed wires, short circuits can cause fire.
- Be sure to keep your R/C model clean and free of excess dirt and grease, this will increase the life.

VORSICHT!



Um Verletzungen an Personen und/oder Sachschäden zu vermeiden, sollten alle ferngesteuerten Modelle sorgfältig und verantwortungsbewusst bedient werden, wie nachfolgend beschrieben.

Wählen Sie den richtigen Platz zum Fahren

- Fahren Sie niemals auf öffentlichen Straßen. Dies könnte Verkehrsunfälle, Personen schäden oder Sachschäden verursachen.
- Fahren Sie niemals in der Nähe von anderen Personen oder Tieren.
- Fahren Sie niemals auf belebten Straßen.
- Fahren Sie nie in der Nähe von Wohnhäusern oder Krankenhäusern. Der Lärm könnte andere Personen stören.
- Fahren Sie niemals in Innenräumen. Dort könnte etwas beschädigt werden.

Überprüfen Sie Ihr Modell, bevor Sie es in Betrieb nehmen.

- Gehen Sie sicher, dass alle Schrauben und Muttern festgezogen sind. Verwenden Sie überall dort Schrauben-Sicherungslack, wo Metallschrauben in ein Metallgewinde greifen, besonders bei den Motorhaltern.
- Um Störungen zu vermeiden, benutzen Sie immer voll geladene Akkus in Ihrem Sender und Empfänger.
- Bevor Sie den Motor starten, sollten Sie immer die Funktion der Bremse und des Gashebels testen.
- Gehen Sie sicher, dass niemand mit der gleichen Frequenz fährt wie Sie.

Nach Betrieb des RC Modells:

- Zuerst den Empfänger abdrehen, dann den Sender abdrehen um unkontrolliertes Durchgehen zu vermeiden.
- Seien Sie vorsichtig mit gebrauchten Akkus, sie können nach dem Gebrauch heiß sein.
- Ersetzen Sie Akkus/Batterien die beschädigt sind oder schadhafte Kabel aufweisen, sie können Kurzschlüsse oder Feuer verursachen.
- Halten Sie Ihr Fahrzeug sauber und entfernen Sie Schmutz und Schmierfett, damit erhöhen Sie die Lebensdauer Ihres Modells.

PRECAUTIONS



Afin d'éviter toutes blessures corporelles et/ou dommages environnants, veuillez procéder en toute responsabilité comme indiqué ci-dessous

Choisir le lieu adéquat pour faire rouler votre modèle.

- Ne jamais rouler dans les rues ou sur les routes ouvertes au public. Ceci peut provoquer de graves accidents.
- Ne jamais rouler près de personnes ou d'animaux.
- Pour éviter les blessures, ne pas rouler dans des espaces confinés.
- Ne jamais rouler où le bruit peut déranger, comme aux abords des hôpitaux ou des quartiers résidentiels.
- Ne jamais rouler à l'intérieur: les gaz d'échappement sont nocifs.

Controler votre modèle avant chaque utilisation.

- Vérifier que les vis et les écrous sont bien serrés. Il est très fortement conseillé d'utiliser du frein filet pour bloquer les vis qui sont en contact avec du métal et tout particulièrement les vis du moteur.
- Toujours utiliser des batteries bien chargées pour l'émission et la réception.
- Toujours vérifier les freins et la commande des gaz avant de démarrer.
- Vérifier qu'aucune autre personne n'utilise votre fréquence radio.

Après l'Opération De Votre Modèle de R/C

- Le virage du récepteur premier, alors virage de l'émetteur, ceci empêchera des fugitifs.
- Faire attention en contrôlant des piles, ils auront chaud après avoir couru.
- Remplacer n'importe quelles piles qui ont été cabossées ou a éraillé des fils, les court-circuits peuvent causer le feu.
- Etre sûr de garder votre modèle de R/C nettoie et libère de terre et la graisse supplémentaires, ceci augmentera la vie.

Equipment needed / Benötigtes Zubehör / Equipement nécessaire

Radio Gear / Fernsteueranlage / Equipement Radio

Radio control system

• You will need a 2-Channel radio system with one servo, receiver, an electronic speed control with an ON/OFF switch.

Fernsteueranlage

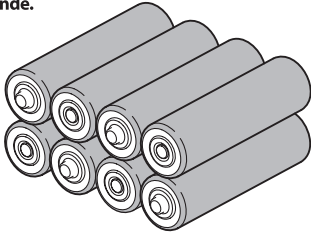
• Sie werden ein 2-Kanal Radio System mit einem Servo, Empfänger, eine elektronische Geschwindigkeitssteuerung mit einem Netzschalter brauchen.

Ensemble radiocommande

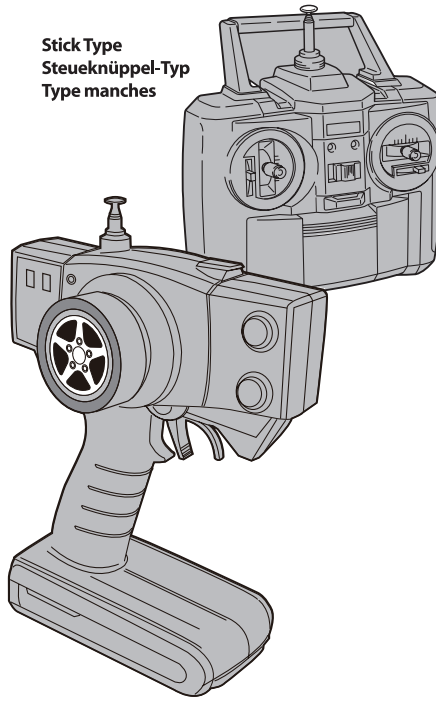
• Vous aurez besoin d'un système de radio de 2 chaînes avec un servo, le récepteur, un contrôleur de vitesse électronique avec un interrupteur (on-off).

- 8AA Alkaline Dry Batteries.
- 8 St. AA Trockenbatterien.
- 8 piles type R6 pour votre radio commande.

8x

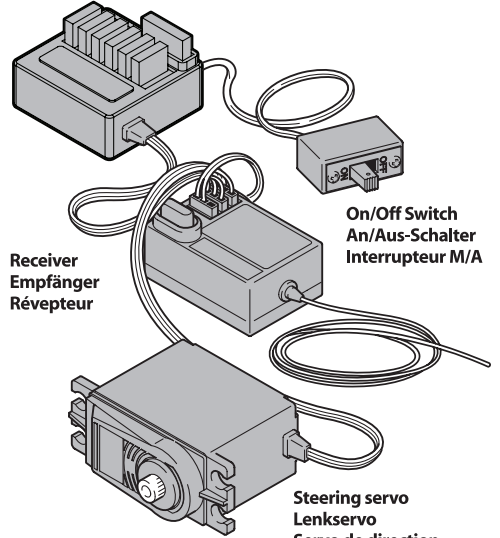


Stick Type
Steueknüppel-Typ
Type manches



Wheel & Trigger Type
Pistolen-Griff Typ
Type Volant et gachette

Electronics Speed Control with Dual Motor Capabilities
Elektronischer Fahrtenregler
Contrôleur de Vitesse électronique



Receiver
Empfänger
Récepteur

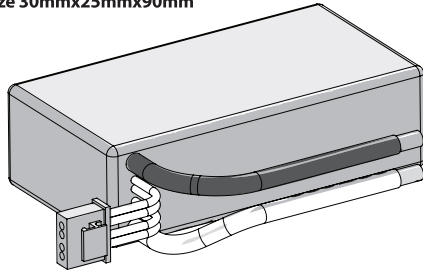
On/Off Switch
An/Aus-Schalter
Interrupteur M/A

Steering servo
Lenkservo
Servo de direction

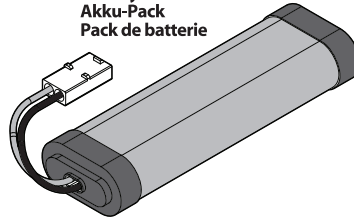
Battery / Akku / Batterie

Battery / Akku / Batterie

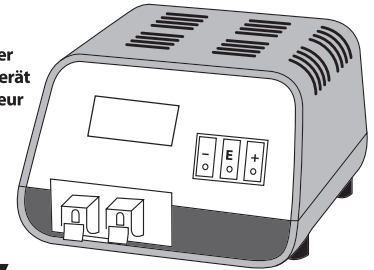
Battery :
Maximum size 30mmx25mmx90mm



Battery
Akku-Pack
Pack de batterie



Charger
Ladegerät
Chargeur

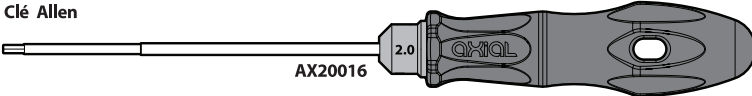


visit www.maxamps.com for a complete selection of batteries and chargers specifically for the AX10 Scorpion.

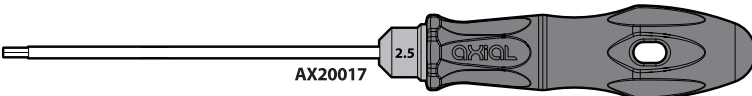
Tools Recommended / Benötigte Werkzeuge / Outillage

Hex wrench
Inbusschlüssel
Clé Allen

AX20015



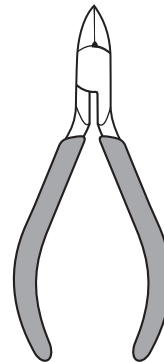
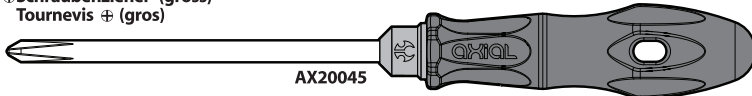
AX20016



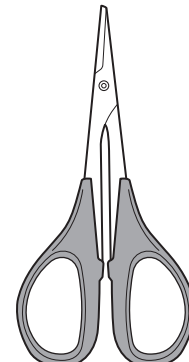
AX20017

⊕Screwdriver (large)
⊕Schraubenzieher (gross)
Tournevis ⊕ (gros)

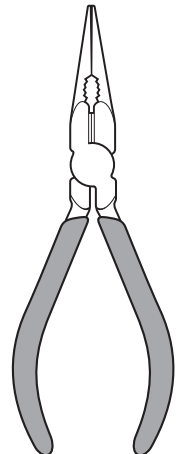
AX20045



Side cutter
Seitenschneider
Pincès coupantes

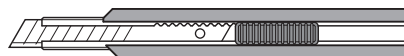


Curved scissors
Schere
Ciseaux



Long nose pliers
Flachzange
Pincès à bès longs

Modeling knife
Modellermesser
Couteau de modéliste



Parts Reference / Übersicht aller Teile / Référence des pièces



AX30146 x4
Shock Shaft 3x50mm



AX30162 x2
Pin 1.5x8mm



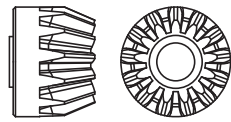
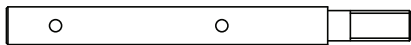
AXA30163 x6
Pin 2x10mm



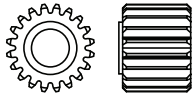
AX30166 x4
Pin 1.5x11mm



AX30190 x1
Shaft 5x18



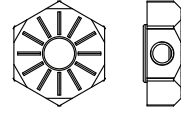
AX30393 x2
13T Bevel Gear



AX30394 x1
20T Drive Gear



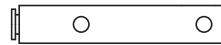
AX30413 x1
Spring 8.5x12



AX30427 x4
12mm Aluminum Hub



AX30198 x1
Drive gear Shaft 5x53.5



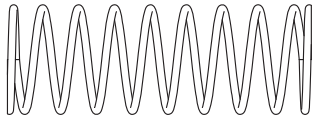
AX30408 x2
Input Shaft 5x29mm



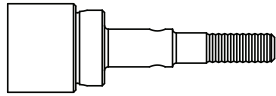
AX30463 x4
Universal Joint Axle Pin holder



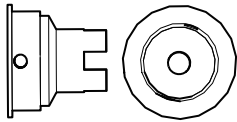
AX30200 x4
Spring 12.5x20mm



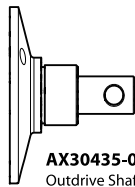
AX30207 x4
Spring 12.5x40mm



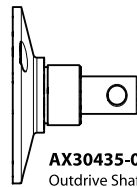
AX30366 x2
Axle 5x35mm



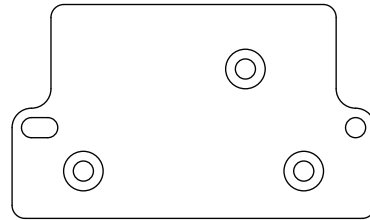
AX30410 x1
Inner Slipper Plate



AX30435-001 x1
Outdrive Shaft



AX30435-003 x1
Outdrive Shaft



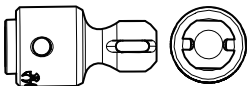
AX30485 x1
AX10 Scorpion Servo Plate



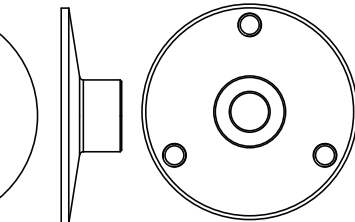
AX30499 x1
5x6.9x4.8



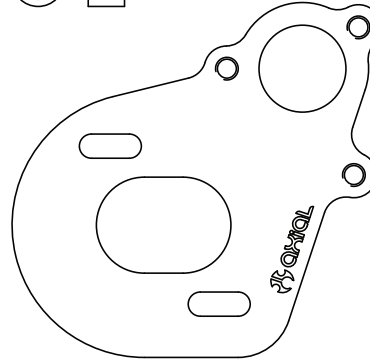
AX30784 x4
Drive shaft Coupler



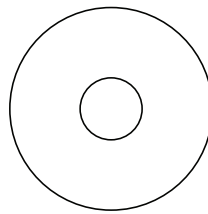
AX30785 x4
Drive shaft Output



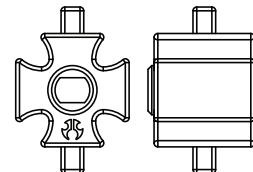
AX30411 x1
Outer Slipper Plate



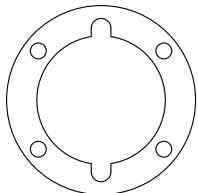
AX30491 x1
AX10 Scorpion Motor Plate



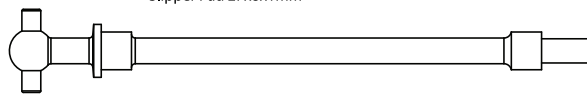
AX30412 x1
Slipper Pad 27x8x1mm



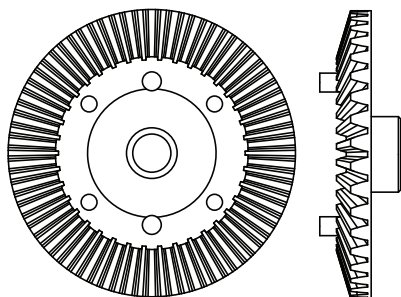
AX30500 x2
Heavy Duty Locker



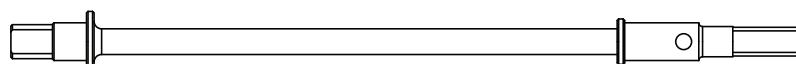
AX30385 x2
Diff Gasket 16x25x0.5mm



AX30420 x2
Solid Axle Dogbone 6x74mm



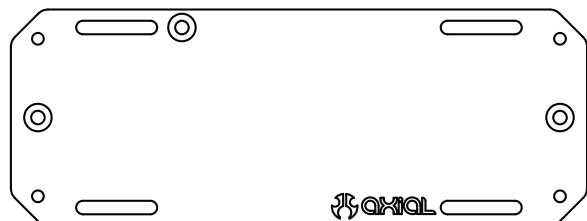
AX30392 x2
38T Bevel Gear



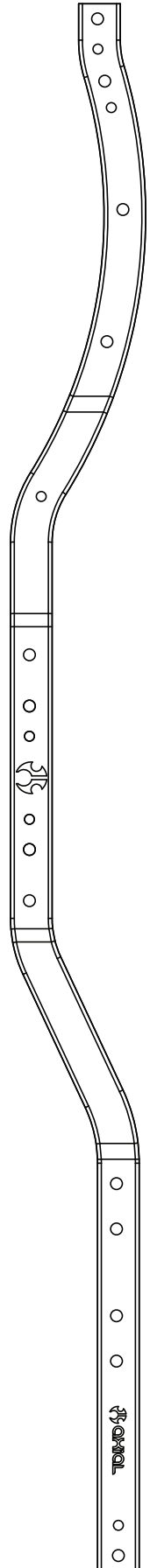
AX30421 x2
Solid Axle Dogbone 6x104.5mm



AX30450 x4
Flange Pipe 3x4.5x5.5



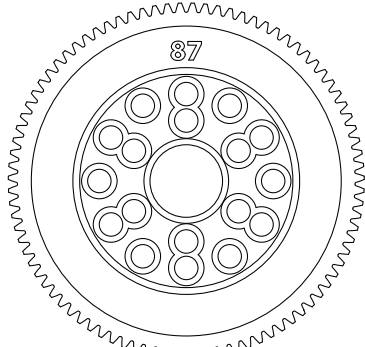
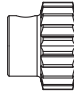
AX30483 x1
AX10 Scorpion Battery Tray

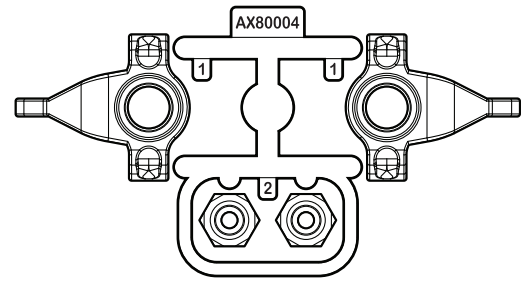


AX30502 x2
SCX10 Chassis Rail

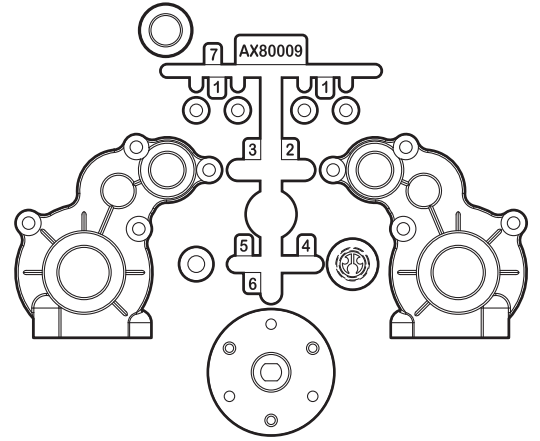
AX30516
 6x106mm **x1**
AX30524
 Threaded Aluminum Pipe 6x91mm **x4**

AX30517
 6x33mm **x1**

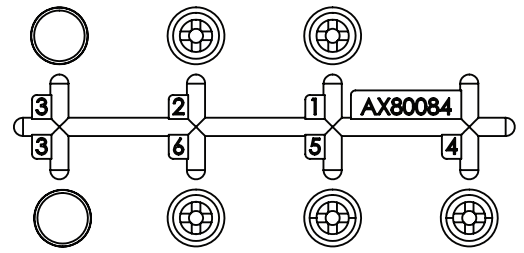
AX30578
 Pinion 48DP 20T **x1**

AX30672
 Spur 48DP 87T **x1**
AXA013
 M2x6mm **x13**
AXA015
 M2x10mm **x32**
AXA083
 M3x6mm **x5**
AXA085
 M3x10mm **x4**
AXA087
 M3x16mm **x8**
AXA088
 M3x20mm **x1**
AXA089
 M3x25mm **x7**
AXA091
 M3x30mm **x1**
AXA113
 M3x6mm **x1**
AXA117
 M3x15mm Hex Socket Button Head **x2**
AXA119
 M3x20mm Hex Socket Button Head **x4**
AXA120
 M3x25mm Hex Socket Button Head **x1**
AXA180
 M3x3mm Set Screw **x5**
AXA186
 3x16mm Set Screw **x12**
AXA433
 M3x6mm **x18**
AXA434
 M3x8mm **x2**
AXA435
 M3x10mm Tapping Button Head **x4**
AXA436
 M3x12mm **x14**
AXA438
 M3x18mm Tapping Button Head **x4**
AXA440
 M3x25mm **x2**
AXA463
 M3x6mm Hex Socket Tapping Flat Head **x5**
AXA464
 M3x8mm Tapping Flat Head **x13**
AXA465
 M3x10mm **x4**
AXA466
 M3x12mm Tapping Flat Head **x6**
AXA0414
 M2.6x10mm **x3**
AXA144
 M3x8mm Hex Socket Flat Head **x4**
AXA471
 M3x30mm Hex Socket Flat Head **x3**
AXA1280
 M3x10mm **x4**
AXA175
 Screw Shaft M3x2.5x11mm **x4**
AXA176
 M3x2.5x13mm Screw Shaft **x8**
AXA1040
 M3 Thin Hex Nut **x4**
AX1045
 M4 Nylon Lock Nut **x5**
AXA1052
 M3 Nylon Locking Hex Nut **x2**
AXA1053
 M3 Nylon Locking Hex Nut **x11**
AXA1059
 6mm Body Clip **x8**
AXA1070
 Washer 3x6x0.5mm **x5**
AXA1071
 Washer 4x8x0.5mm **x1**
AXA1091
 Washer 5x10x0.5mm **x1**
AXA1163
 O-Ring 7x1mm **x4**
AXA1179
 O-Ring 2.5x1.5mm **x8**
AXA1218
 Bearing 5x10x4mm **x4**
AXA1221
 Bearing 5x11x4mm **x8**
AXA1225
 Bearing 8x16x5mm **x2**
AXA1230
 Bearing 10x15x4mm **x6**
AXA1414
 6x2x3mm **x1**
AXA1358
 Shock Damper 3x7x8 **x4**
AXA1392
 E2 e-clip **x8**
AXA1393
 E2.5 e-clip **x2**



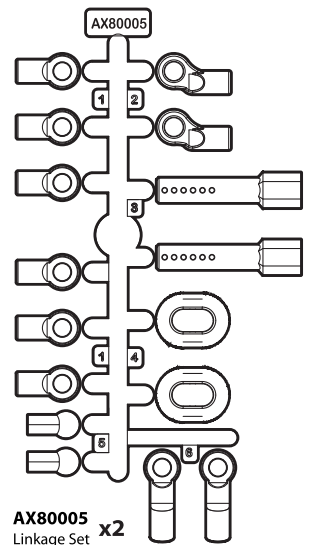
AX80004 x1
Hub Set



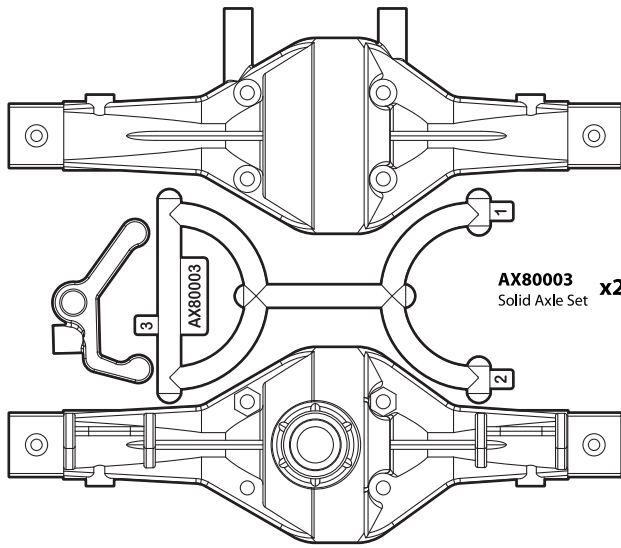
AX80009 x1
Transmission Set



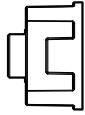
AX80084 x2
UV Joint Driveshafts



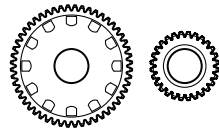
AX80005 x2
Linkage Set



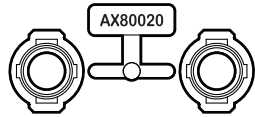
AX80003 x2
Solid Axle Set



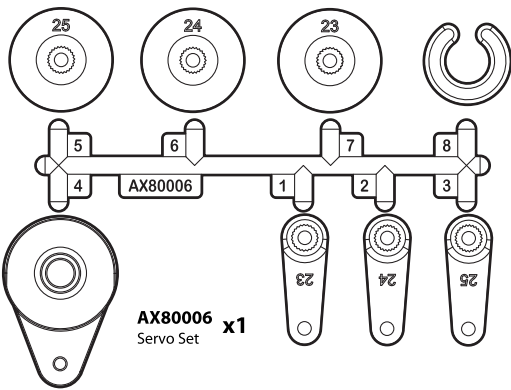
AX80002 x2
Diff Case



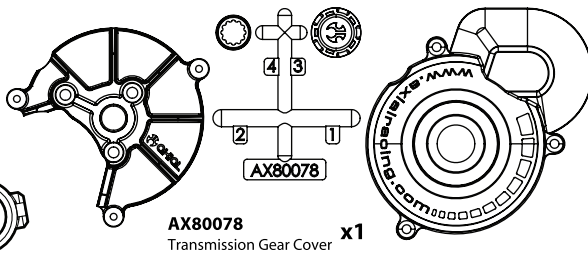
AX80010 x1
Gear Set



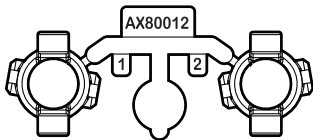
AX80020 x1
Straight Axle Adapter Parts Tree



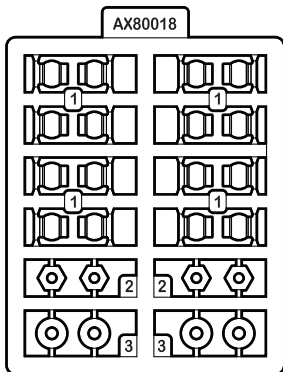
AX80006 x1
Servo Set



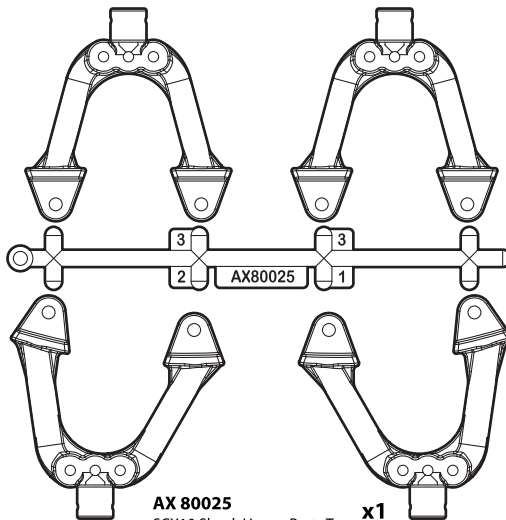
AX80078 x1
Transmission Gear Cover



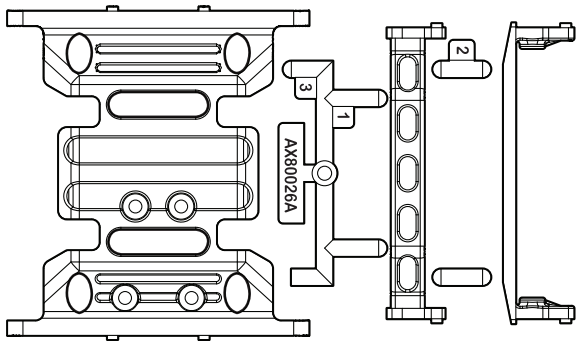
AX80012 x1
C Hub Carrier



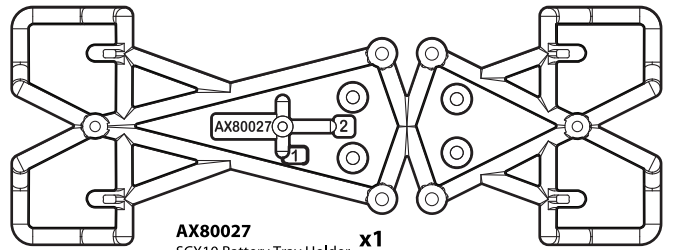
AX80018 x2
Hardware Parts Tree



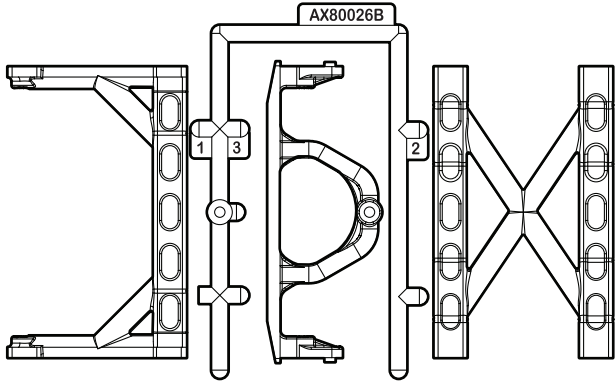
AX80025 x1
SCX10 Shock Hoops Parts Tree



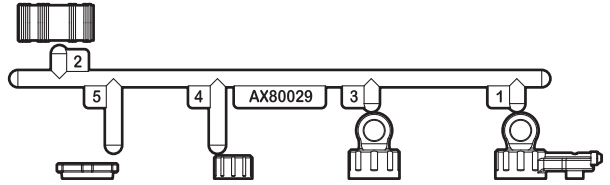
AX80026A
SCX10 Frame Brace Set **x1**



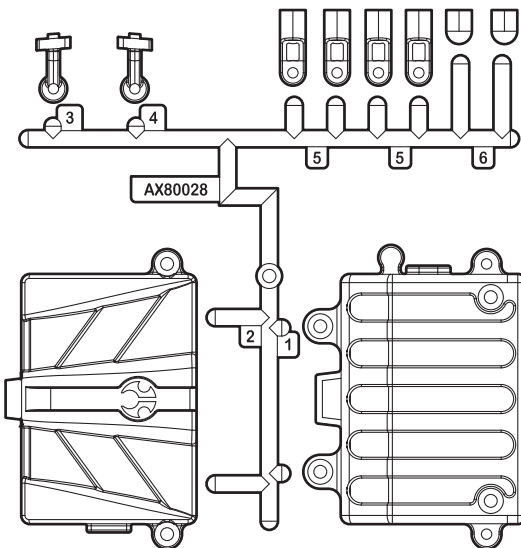
AX80027
SCX10 Battery Tray Holder **x1**



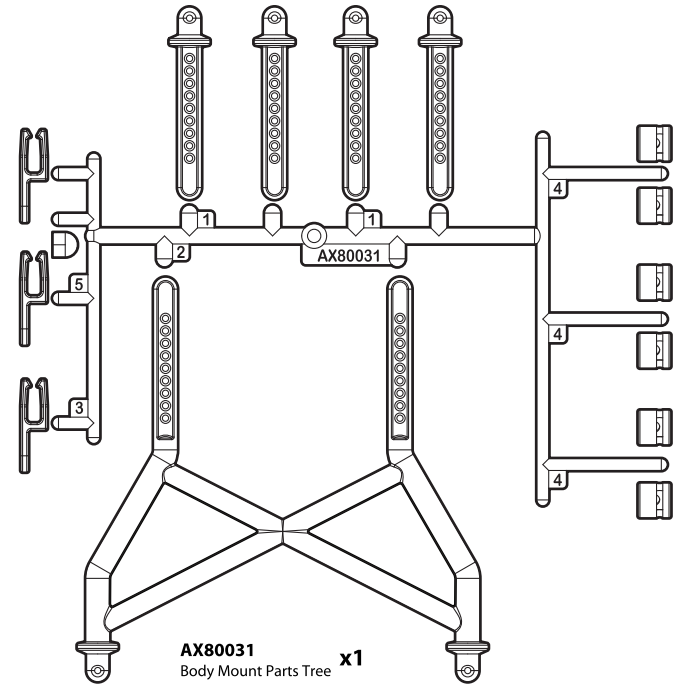
AX80026B
SCX10 Frame Brace Set **x1**



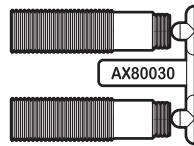
AX80029
Shock Cap Parts Tree **x4**



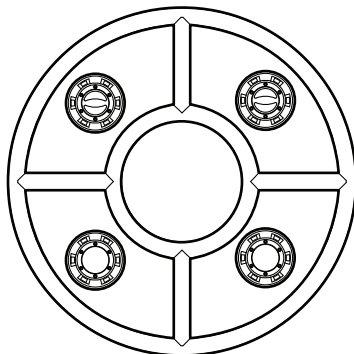
AX80028
SCX10 Radio Box Parts Tree **x1**



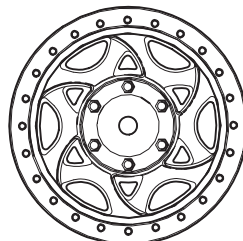
AX80031
Body Mount Parts Tree **x1**



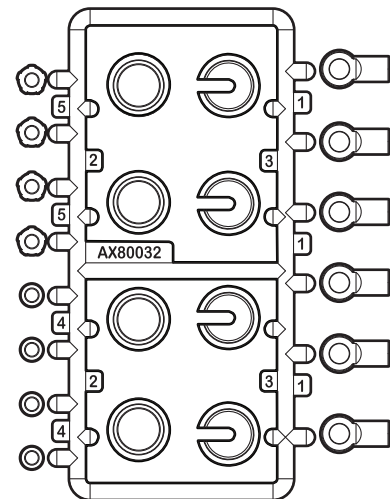
AX80030
61-90 Shock Body Set **x2**



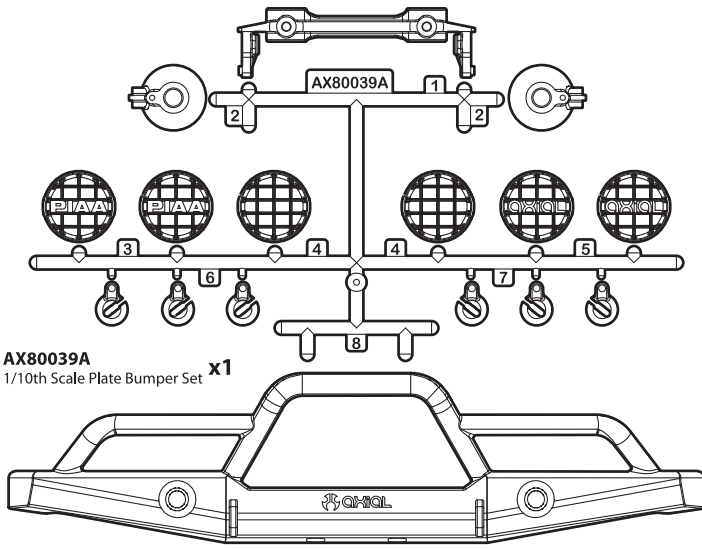
AX8087
Wheel Cap **x1**



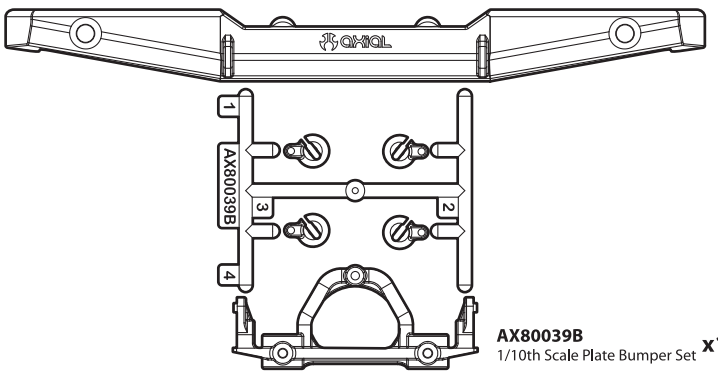
AX8138
1.9 Wheel - 26mm wide (Black) **x5**



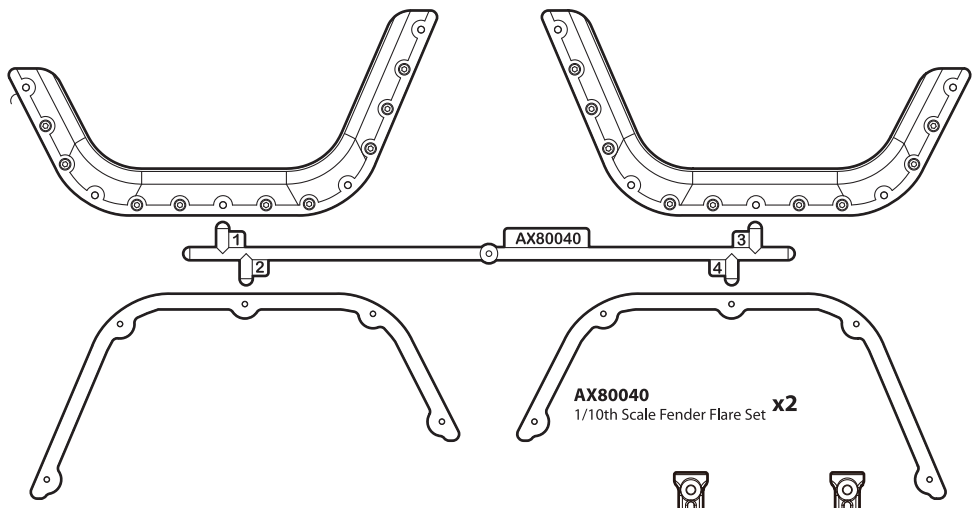
AX80032
Shock Parts **x1**



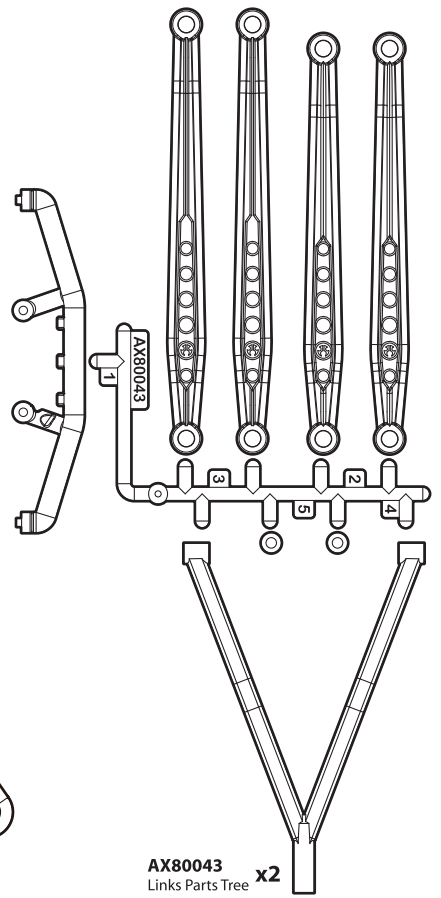
AX80039A
1/10th Scale Plate Bumper Set **x1**



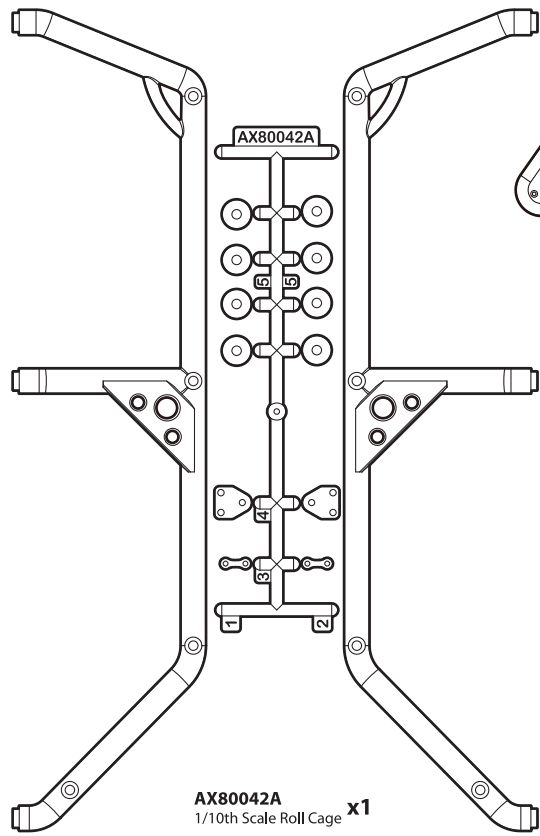
AX80039B
1/10th Scale Plate Bumper Set **x1**



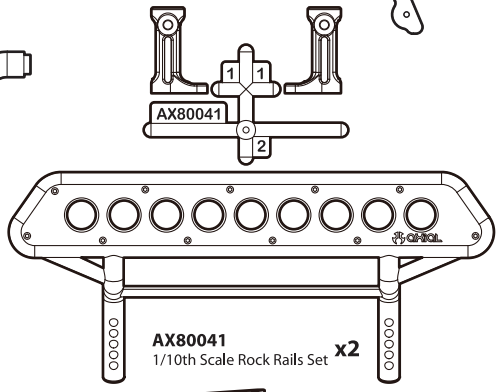
AX80040
1/10th Scale Fender Flare Set **x2**



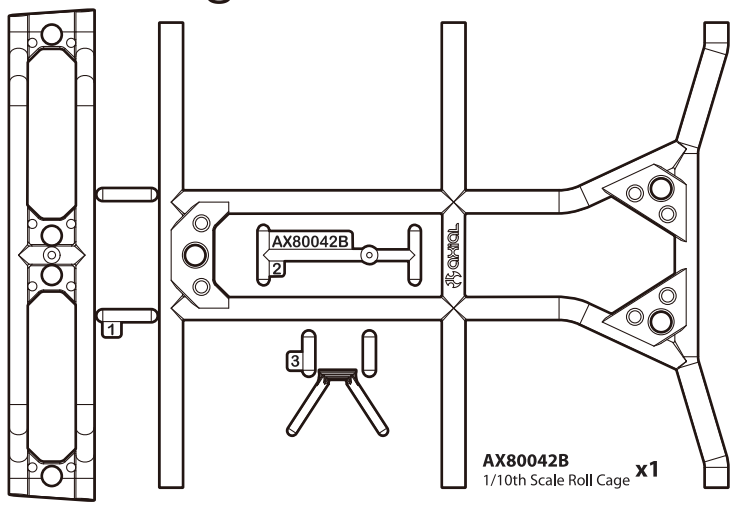
AX80043
Links Parts Tree **x2**



AX80042A
1/10th Scale Roll Cage **x1**



AX80041
1/10th Scale Rock Rails Set **x2**



AX80042B
1/10th Scale Roll Cage **x1**

AX04026: Hardline Body

Dovetailed front and rear for extra tire clearance and rounded roof line and cab forward design help aid in driving out of roll-overs; meets all U.S.R.C.C.A minimum requirements.

XR10 OPTION PARTS

WHEEL WEIGHT SYSTEM

AX30545: 2.2 Internal Wheel Weight Ring 57g/2oz (2pcs)



AX30546: 2.2 Internal Wheel Weight Insert 21g/0.75oz (4pcs)
For use with AX30545.



XR10 CARBON FIBER CHASSIS

AX30750: XR10 Carbon Fiber Chassis Set (2pcs)
Reduce your assembled chassis weight by 25% and increase its rigidity.



AX30753: XR10 Carbon Fiber F/R Servo Mounts and Steering Arm Set

AX30752: XR10 Carbon Fiber Shock Mounts (2pcs)



ALUMINUM AXLE COMPONENTS

AX30760: XR10 Aluminum Steering Knuckle (Black) (2pcs)

AX30762: XR10 Aluminum C-Hub Carrier (Black) (2pcs)

AX30763: XR10 Straight Axle Adapters (Black) (2pcs)



GENUINE AXIAL OPTION PARTS



The Axial XR10 redefines rock crawling at the competition level straight out of the box. With multiple tuning options, modify your rig with ease to suit your driving style with additional genuine Axial option parts.

XR10

 **axial**
www.axialracing.com

A Open Bag A

1



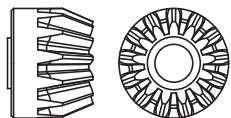
AX30408
Input Shaft 5x29mm **x1**



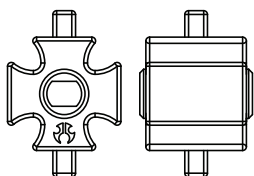
AX30163
Pin 2x10mm **x1**



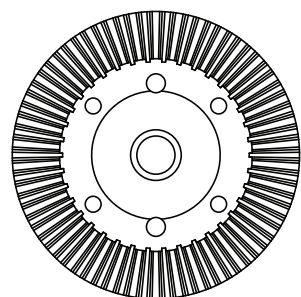
AXA1393
E2.5 e-clip **x1**



AX30393
13T Bevel Gear **x1**



AX30500
Heavy Duty Locker **x1**



AX30392
38T Bevel Gear **x1**



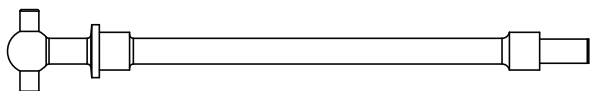
AXA015
M2x10mm **x4**



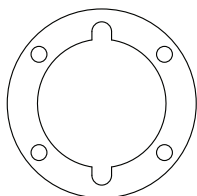
AXA1230
Bearing 10x15x4mm **x2**



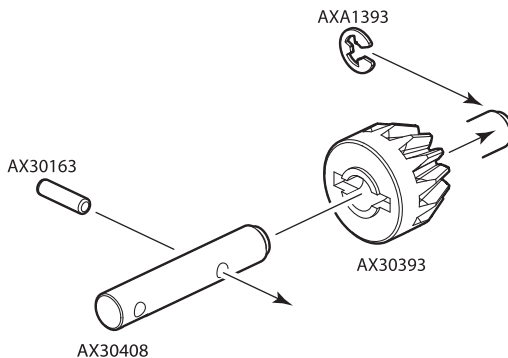
AXA1221
Earing 5x11x4mm **x2**



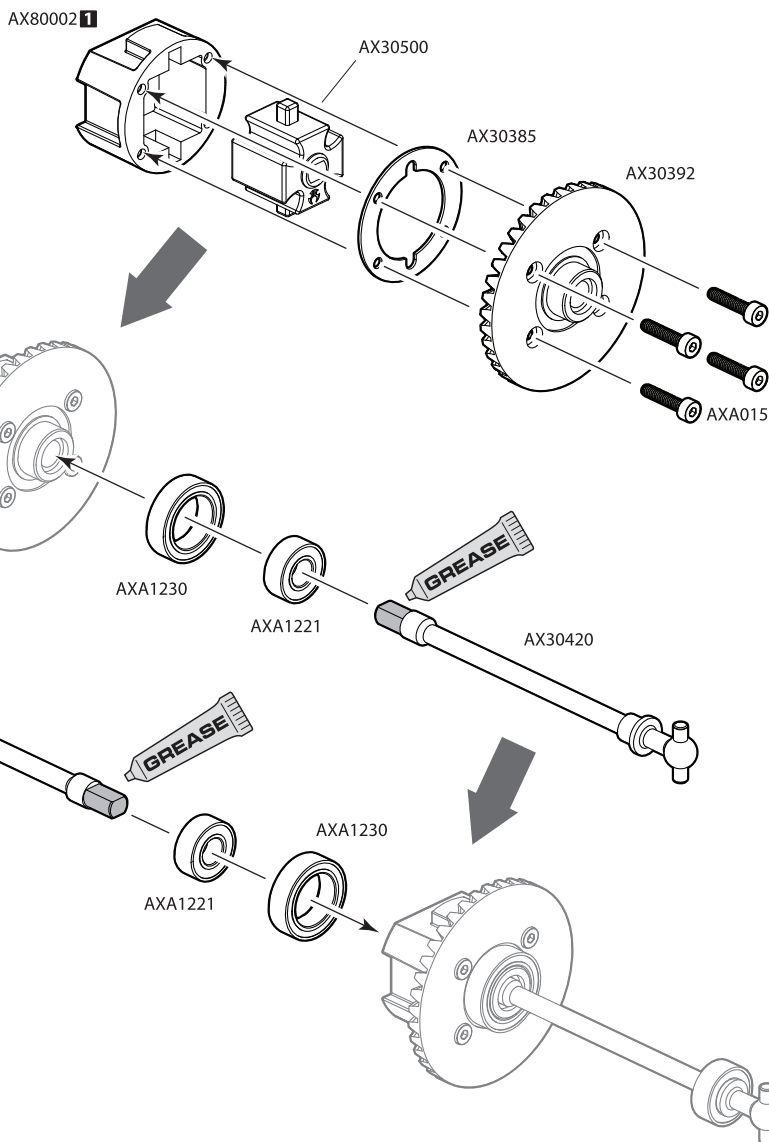
AX30420
Solid Axle Dogbone 6x74mm **x2**



AX30385
Diff Gasket 16x25x0.5mm **x1**



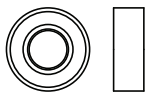
2



Option Parts

AX30464
AX10 Scorpion Universal Joint

3



AXA1221
Bearing 5x11x4mm **x2**

AXA085
M3x10mm **x2**

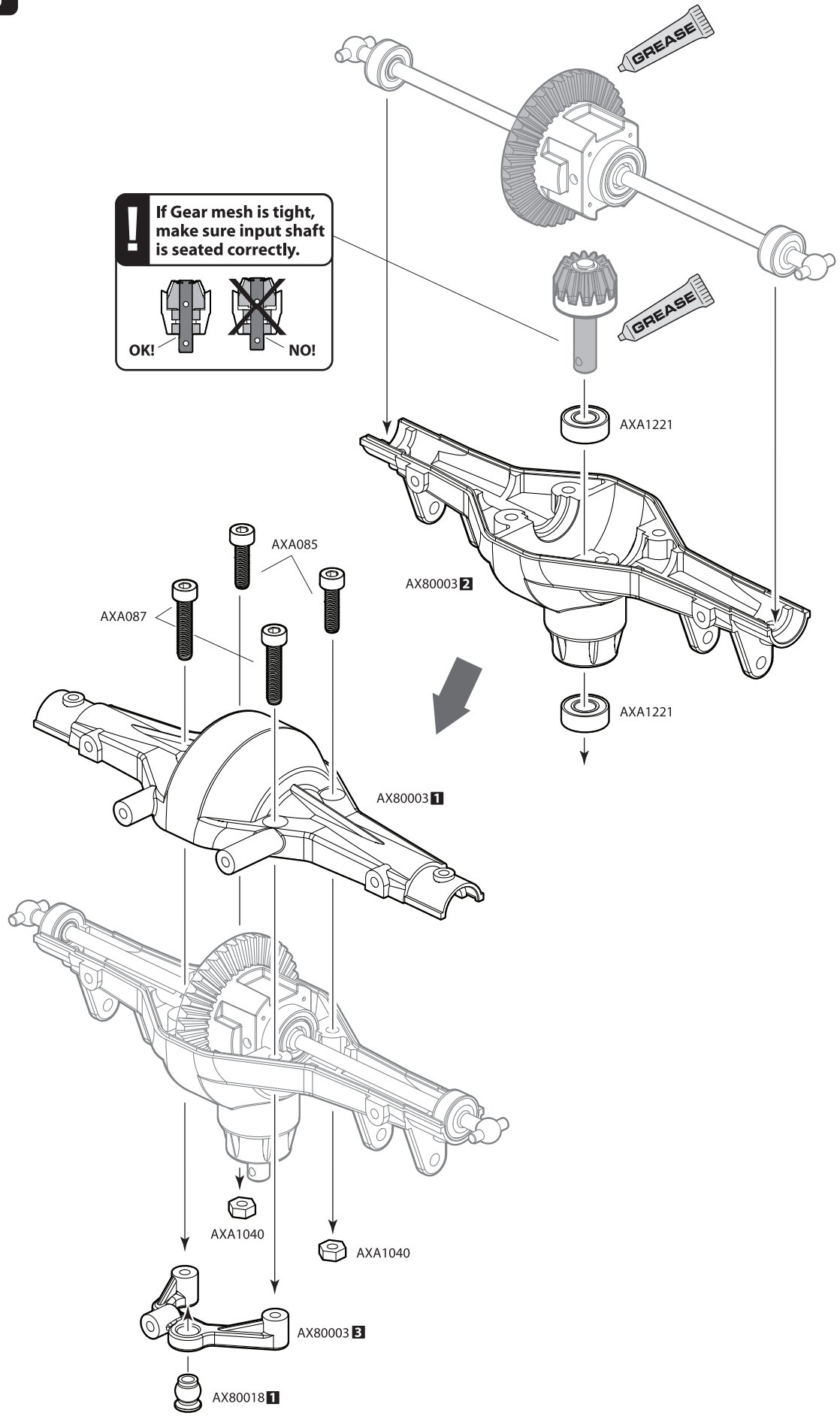


AXA087
M3x16mm **x2**

AXA1040
M3 Thin Hex Nut **x2**

! If Gear mesh is tight, make sure input shaft is seated correctly.

OK! **NO!**

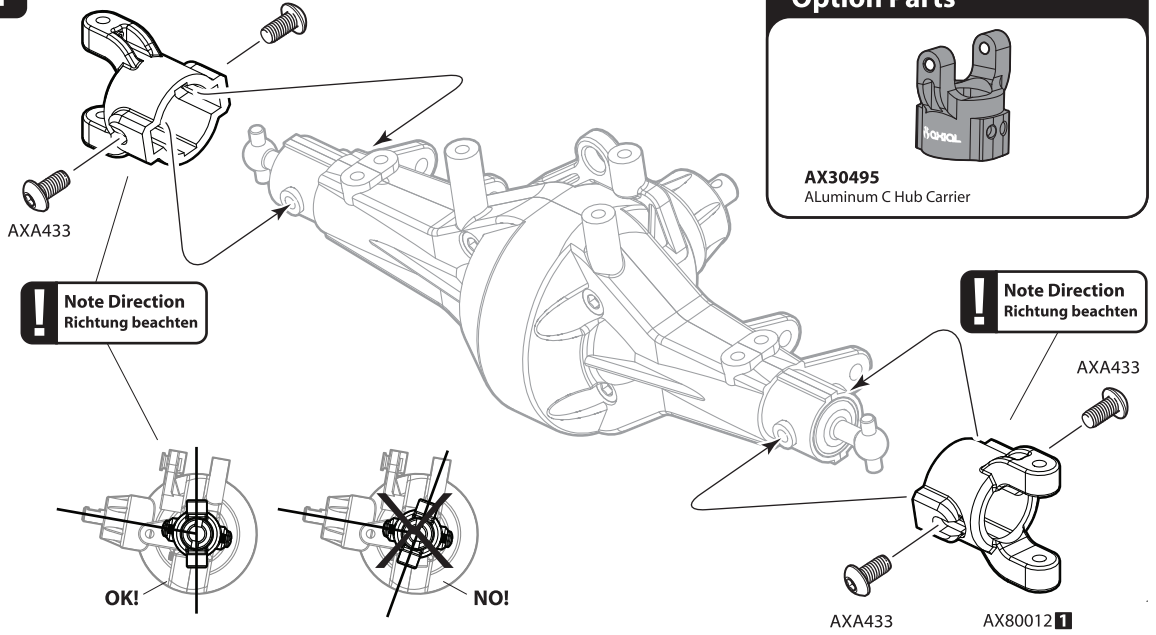




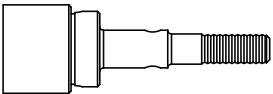
AXA433
M3x6mm Tapping Button Head **x4**

4

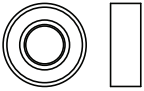
AX80012 **2** AXA433



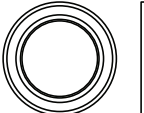
AX30450
Flange Pipe 3x4.5x5.5 **x4**



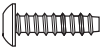
AX30366
Axle 5x35mm **x2**



AXA1221
Bearing 5x11x4mm **x2**

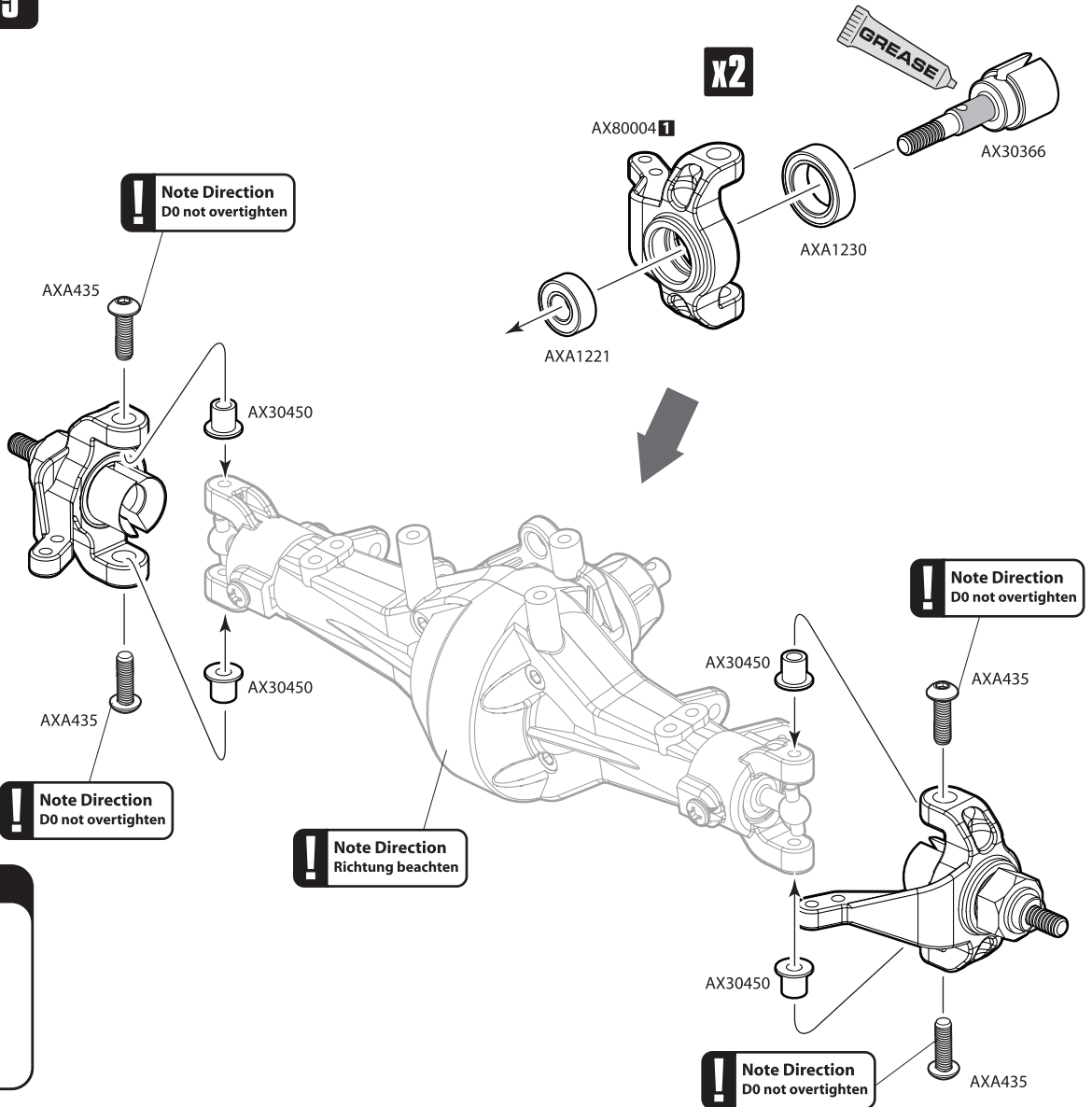


AXA1230
Bearing 10x15x4mm **x2**



AXA435
M3x10mm Tapping Button Head **x4**

5

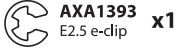




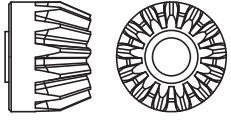
AX30408
Input Shaft 5x29mm **x1**



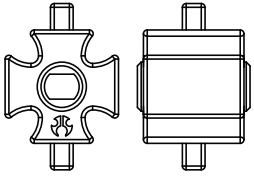
AX30163
Pin 2x10mm **x1**



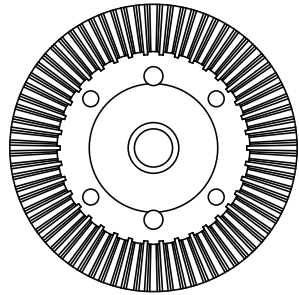
AXA1393
E2.5 e-clip **x1**



AX30393
13T Bevel Gear **x1**



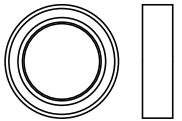
AX30500
Heavy Duty Locker **x1**



AX30392
38T Bevel Gear **x1**



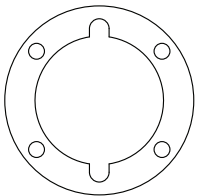
AXA015
M2x10mm **x4**



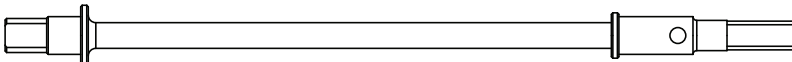
AXA1230
Bearing 10x15x4mm **x2**



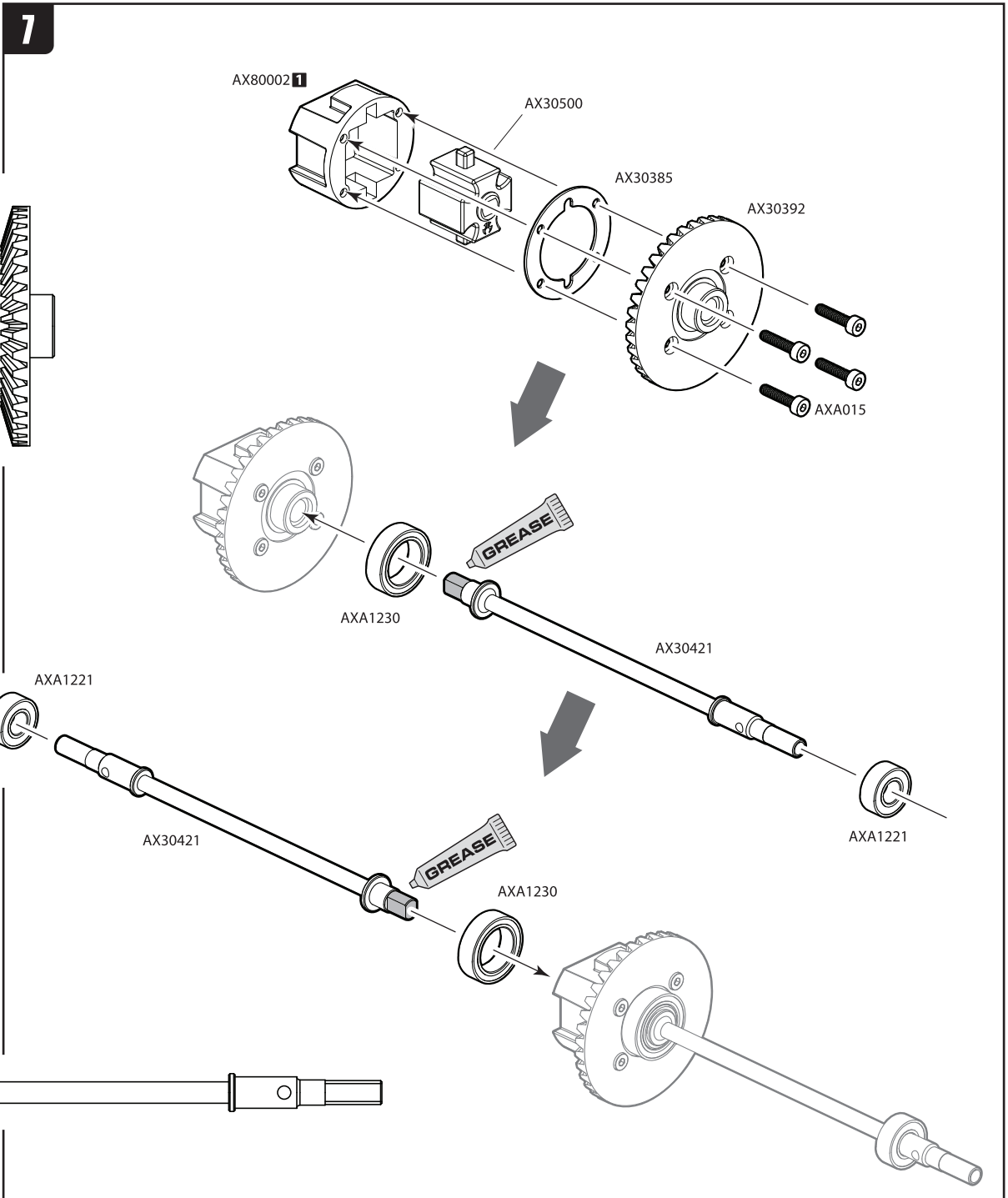
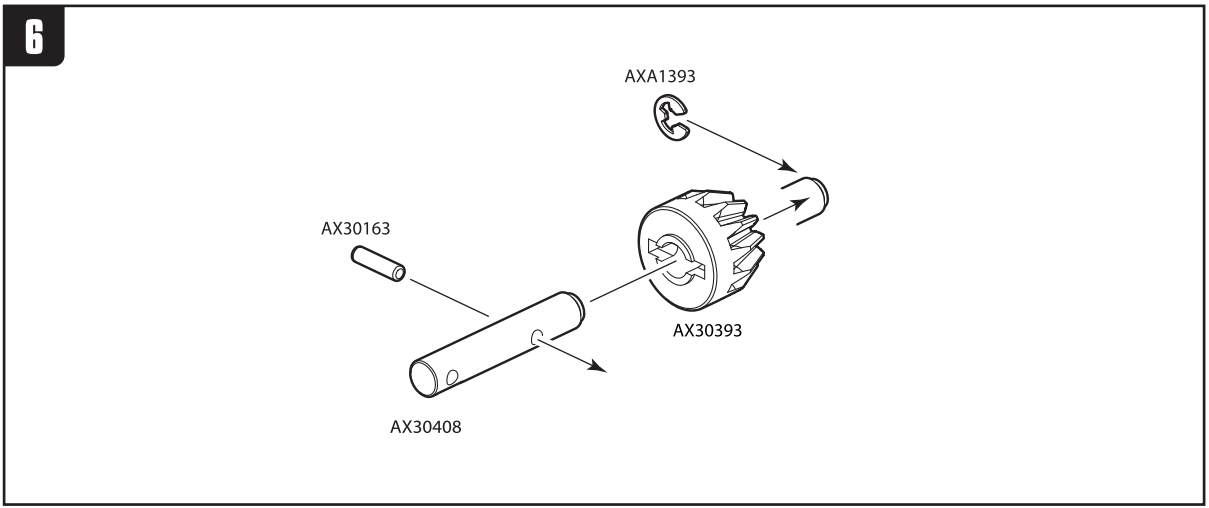
AXA1221
Bearing 5x11x4mm **x2**



AX30385
Diff Gasket 16x25x0.5mm **x1**



AX30421
Solid Axle Dogbone 6x104.5mm **x2**





AXA1221
Bearing 5x11x4mm **x2**

AXA085 **x2**
M3x10mm



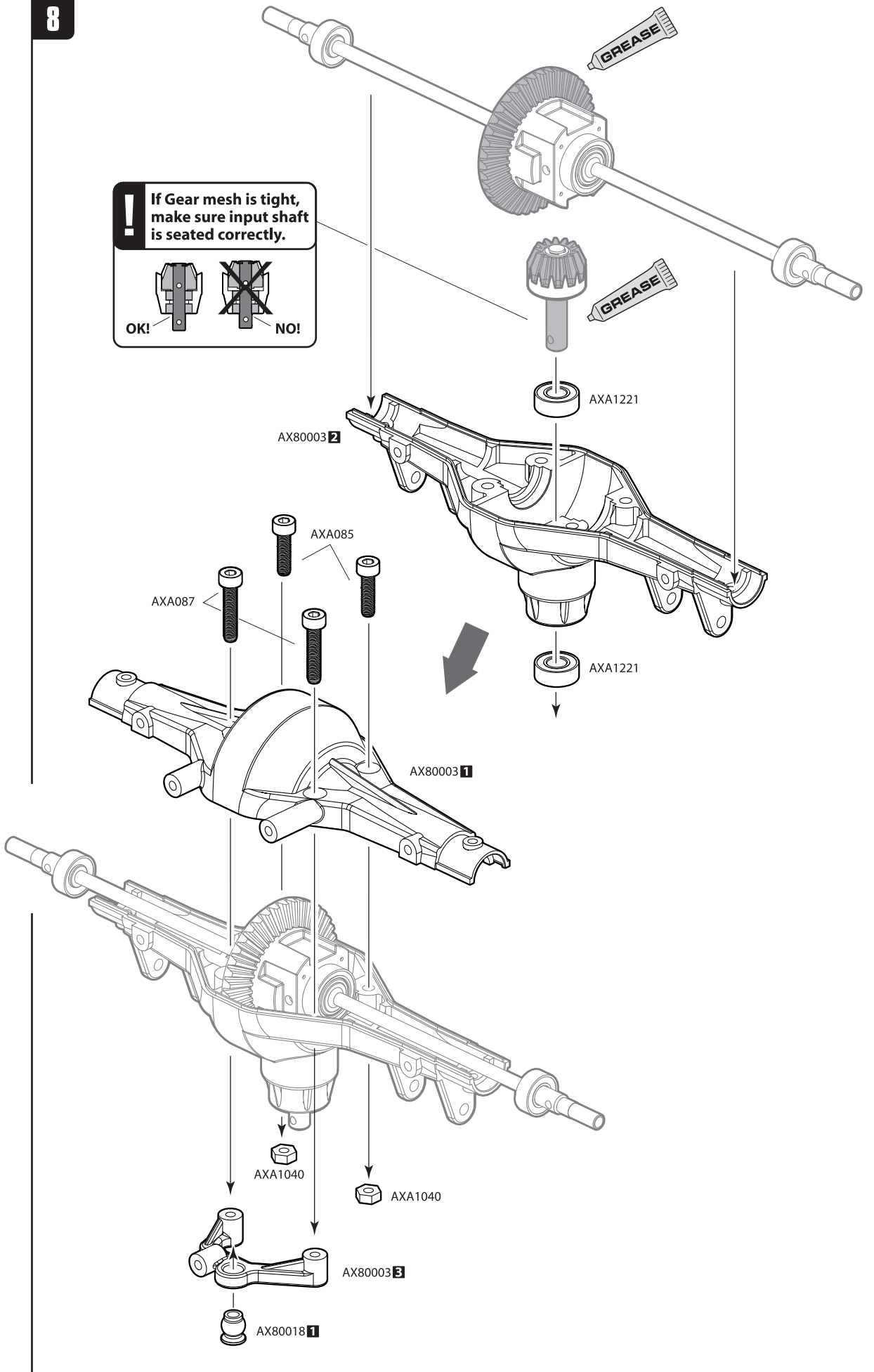
AXA087 **x2**
M3x16mm

AXA1040 **x2**
M3 Thin Hex Nut

8

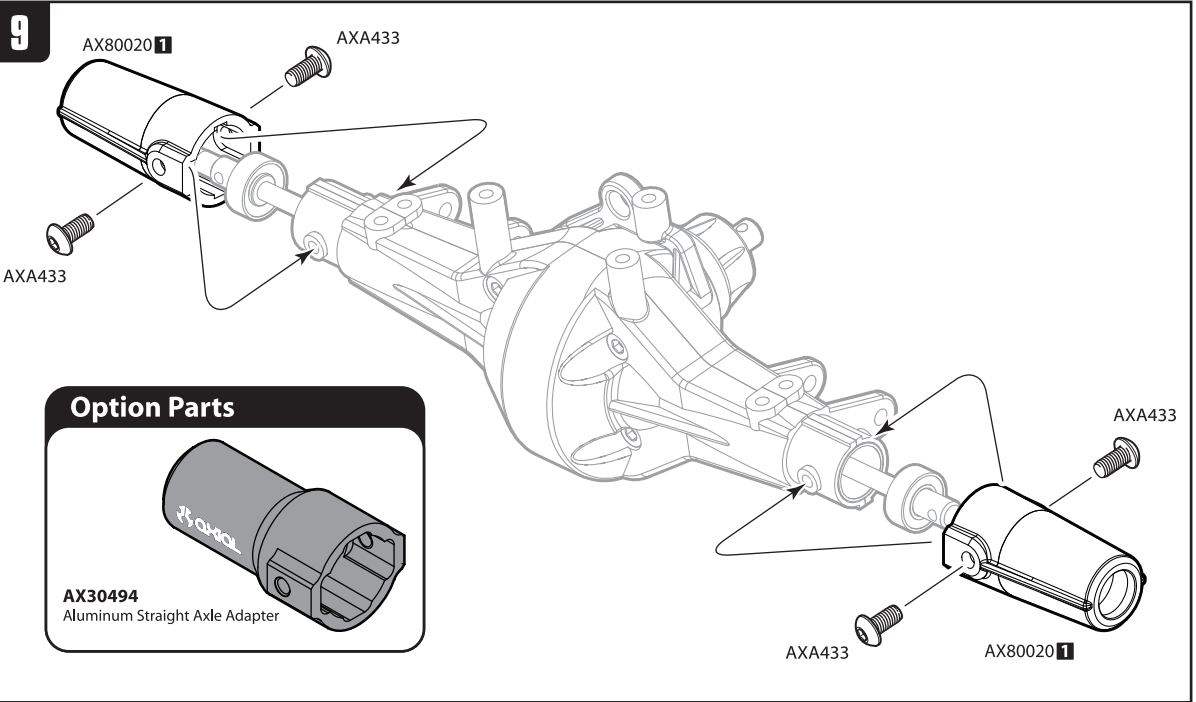
! If Gear mesh is tight, make sure input shaft is seated correctly.

OK! NO!





AXA433
M3x6mm Tapping Button Head **x4**

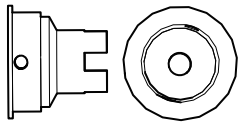


B Open Bag B

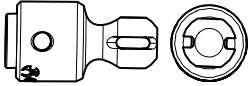
AX30463
Universal joint Axle Pin holder **x4**

AX30166
Pin 1.5x11mm **x4**

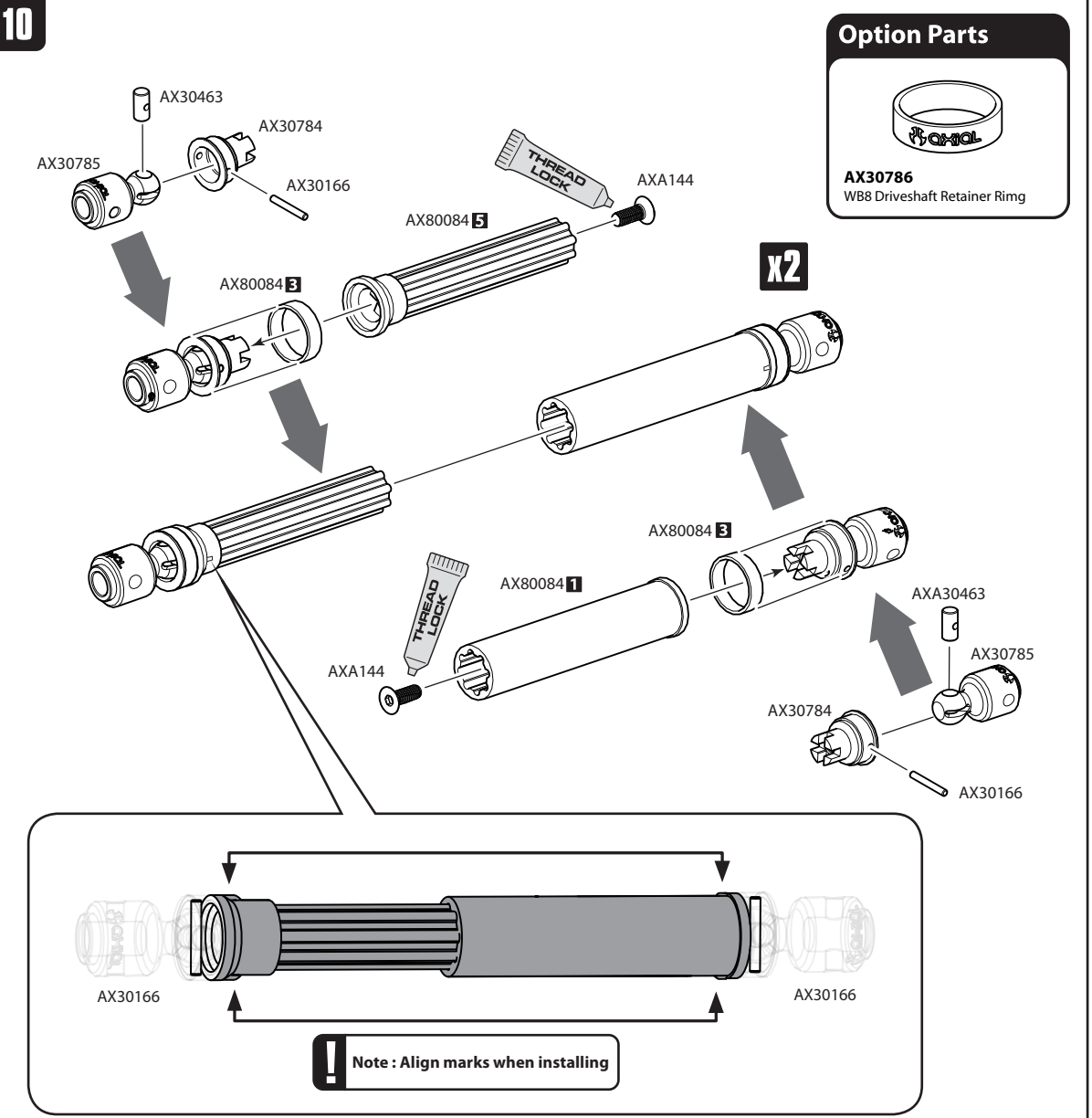
AXA144
M3x8mm **x4**



AX30784
Drive shaft Coupler **x4**



AX30785
Drive shaft Output **x4**



AXA1392 x8
E2 e-clip

AXA1179 x8
O-Ring 2.5x1.5mm

AXA1358 x4
Shock Damper 3x7x8

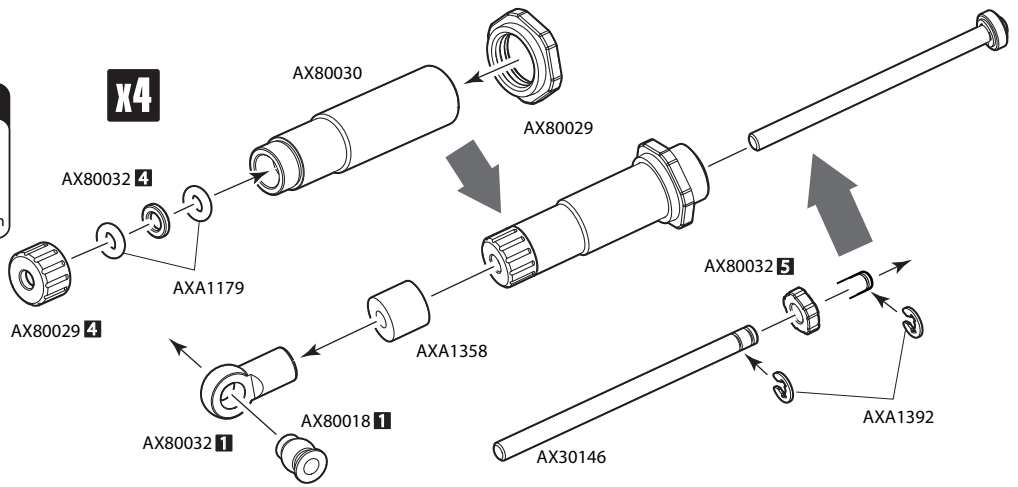
AX30146 x4
Shock Shaft 3x50mm

11

Option Parts

AX30117
Aluminum Shock Body 10x38mm

x4



Option Parts



AX30115
10mm Aluminum Preload Collar

AXA1163 x4
O-Ring 7x1mm

AXA013 x4
M2x6mm

Option Parts

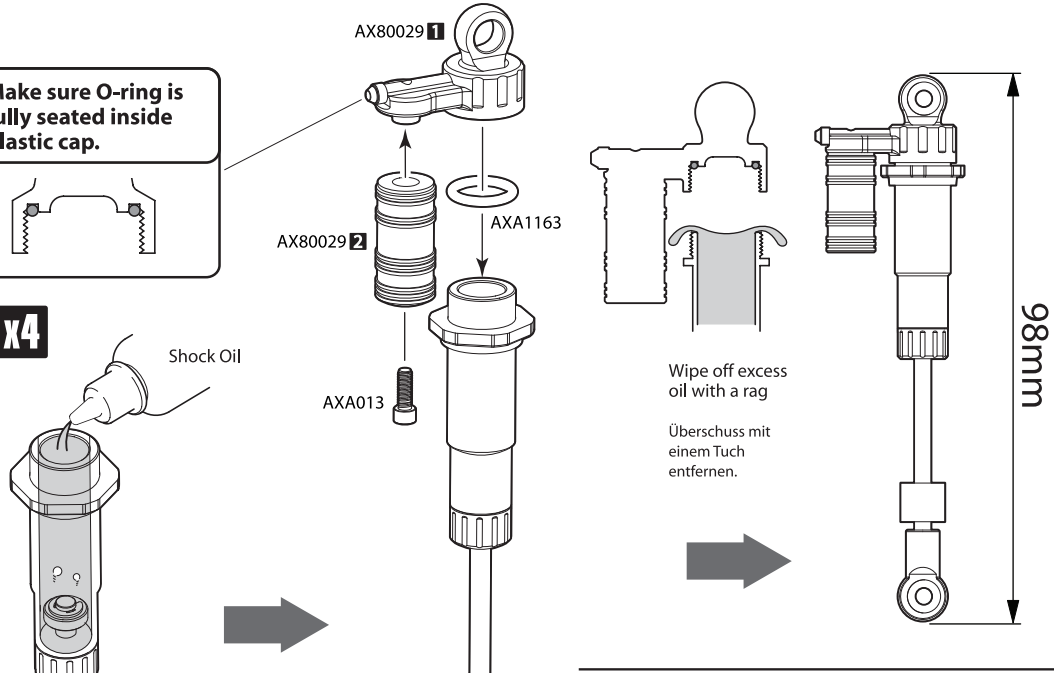


AX30114
Aluminum Shock Reservoir-SCX10

12

! Make sure O-ring is fully seated inside plastic cap.

x4



13

AX30207 x4
Spring 14.5x40mm

AX30200 x4
Spring 14.5x20mm

AX80032 (3)



Move the shaft up and down slowly to remove all air bubbles.

Den Kolben langsam senken und wieder anheben, damit alle Luftblasen entfernt werden.

AX30200
AX80032 (2)

Option Parts

Spring
AX30200 12.5x20mm 3.6 lbs/in - Super Soft (Red)
AX30201 12.5x20mm 4.32 lbs/in - Soft (White)
AX30202 12.5x20mm 5.44 lbs/in - Medium (Green)
AX30203 12.5x20mm 6.53 lbs/in - Firm (Yellow)
AX30204 12.5x20mm 7.95 lbs/in - Super Firm (Blue)

Spring
AX30205 12.5x40mm 2.7 lbs/in - Super Soft (Red)
AX30206 12.5x40mm 3.6 lbs/in - Soft (White)
AX30207 12.5x40mm 4.08 lbs/in - Medium (Green)
AX30208 12.5x40mm 5.44 lbs/in - Firm (Yellow)
AX30209 12.5x40mm 6.81 lbs/in - Super Firm (Blue)

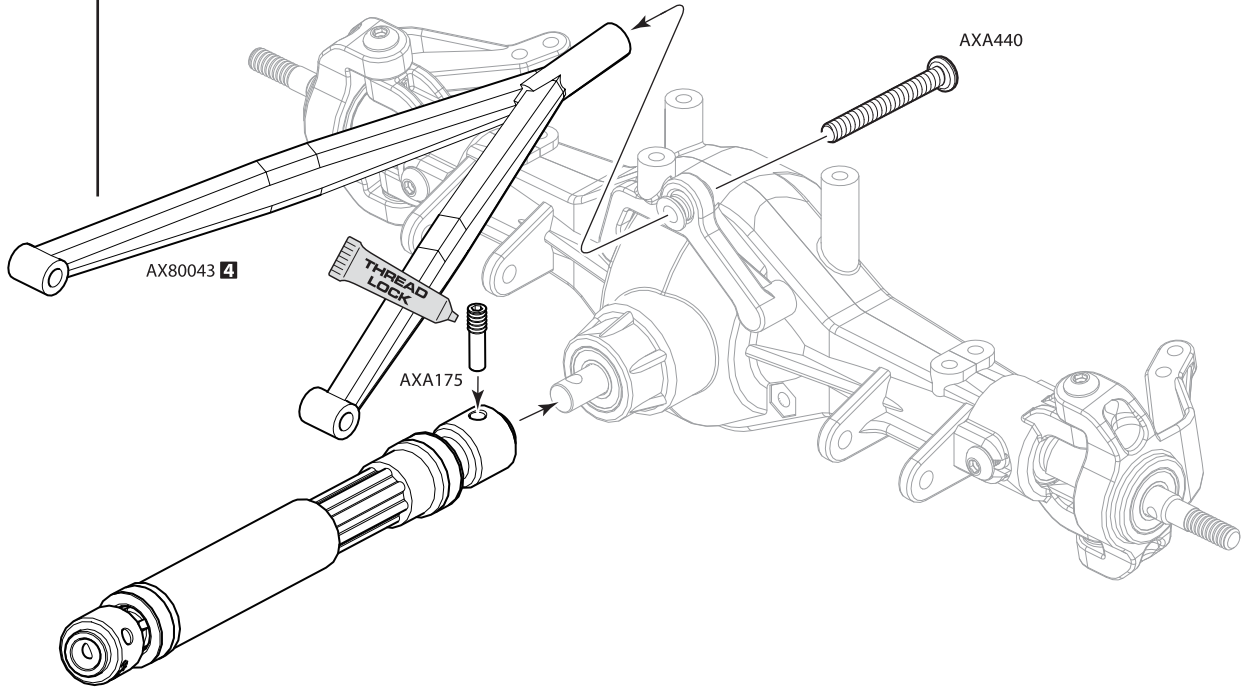


AXA175
Screw Shaft M3x2.5x11mm x1

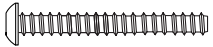


AXA440
M3x25mm x1

14

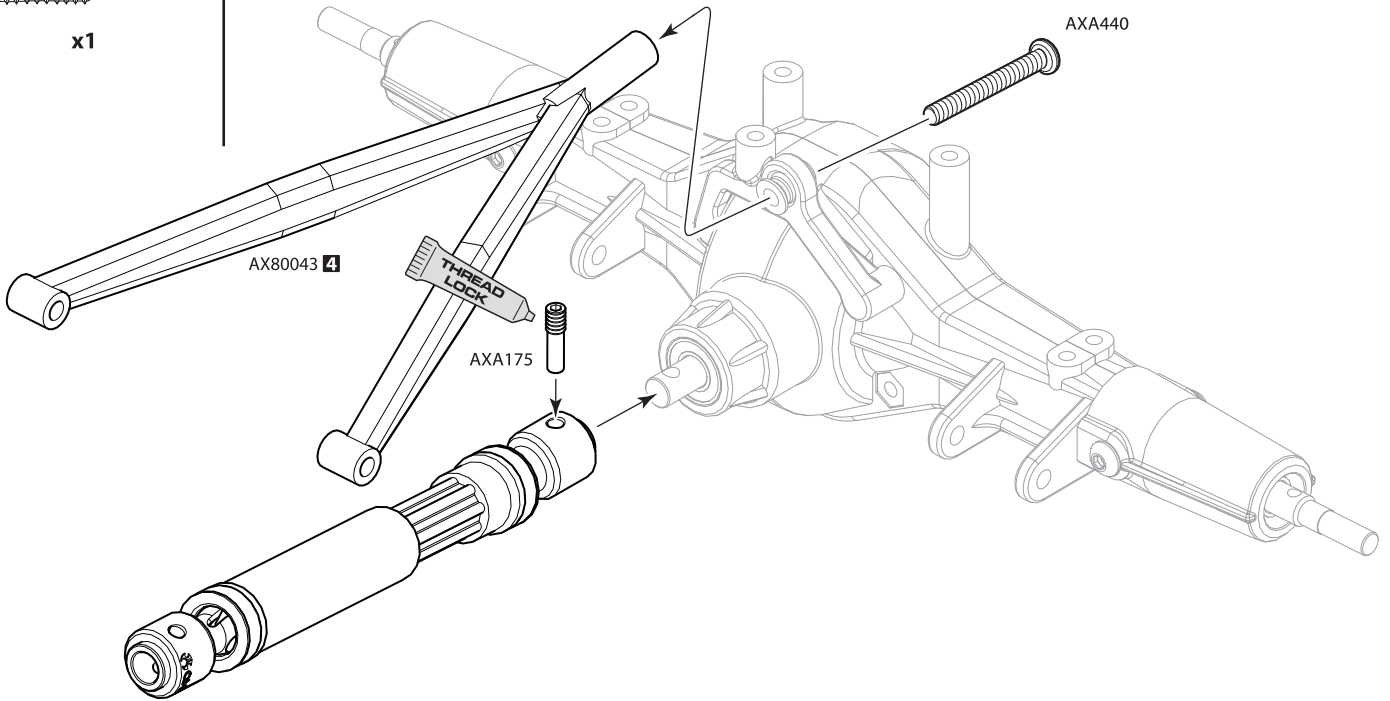


AXA175
Screw Shaft M3x2.5x11mm x1



AXA440
M3x25mm x1

15





AXA089 x2
M3x25mm

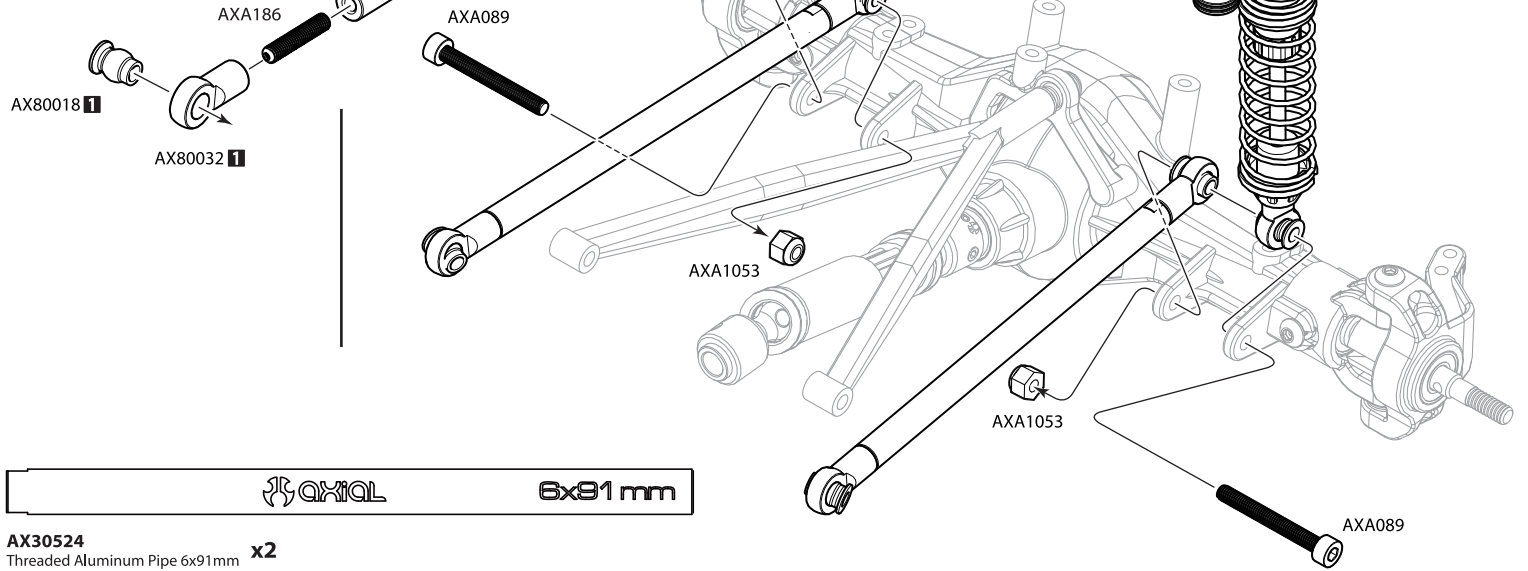


AXA1053 x2
M3 Nylon Locking Hex Nut



AXA186 x4
3x16mm Set Screw

16



AX30524 x2
Threaded Aluminum Pipe 6x91mm



AXA089 x2
M3x25mm

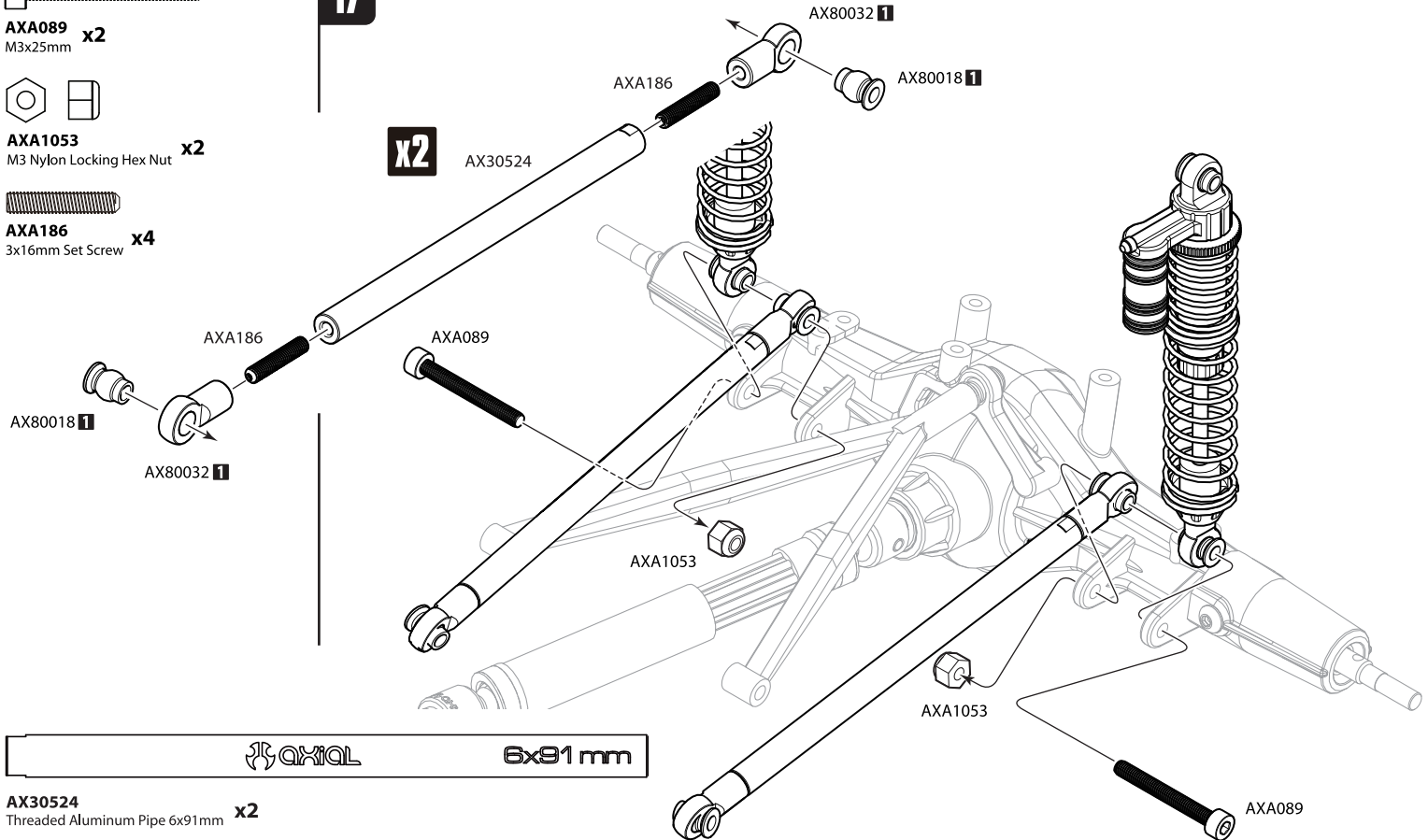


AXA1053 x2
M3 Nylon Locking Hex Nut



AXA186 x4
3x16mm Set Screw

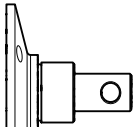
17



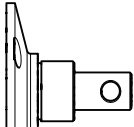
AX30524 x2
Threaded Aluminum Pipe 6x91mm

D Open Bag D

18



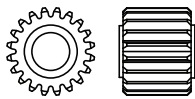
AX30435-001 x1
Outdrive Shaft



AX30435-003 x1
Outdrive Shaft



AXA013 x3
M2x6mm

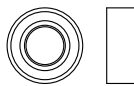


AX30394 x1
20T Drive Gear

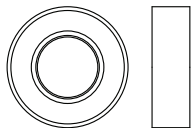
AX30162 x1
Pin 1.5x8mm



AX30198 x1
Drive gear Shaft 5x53.5



AXA1218 x4
Bearing 5x10x4mm



AXA1225 x2
Bearing 8x16x5mm

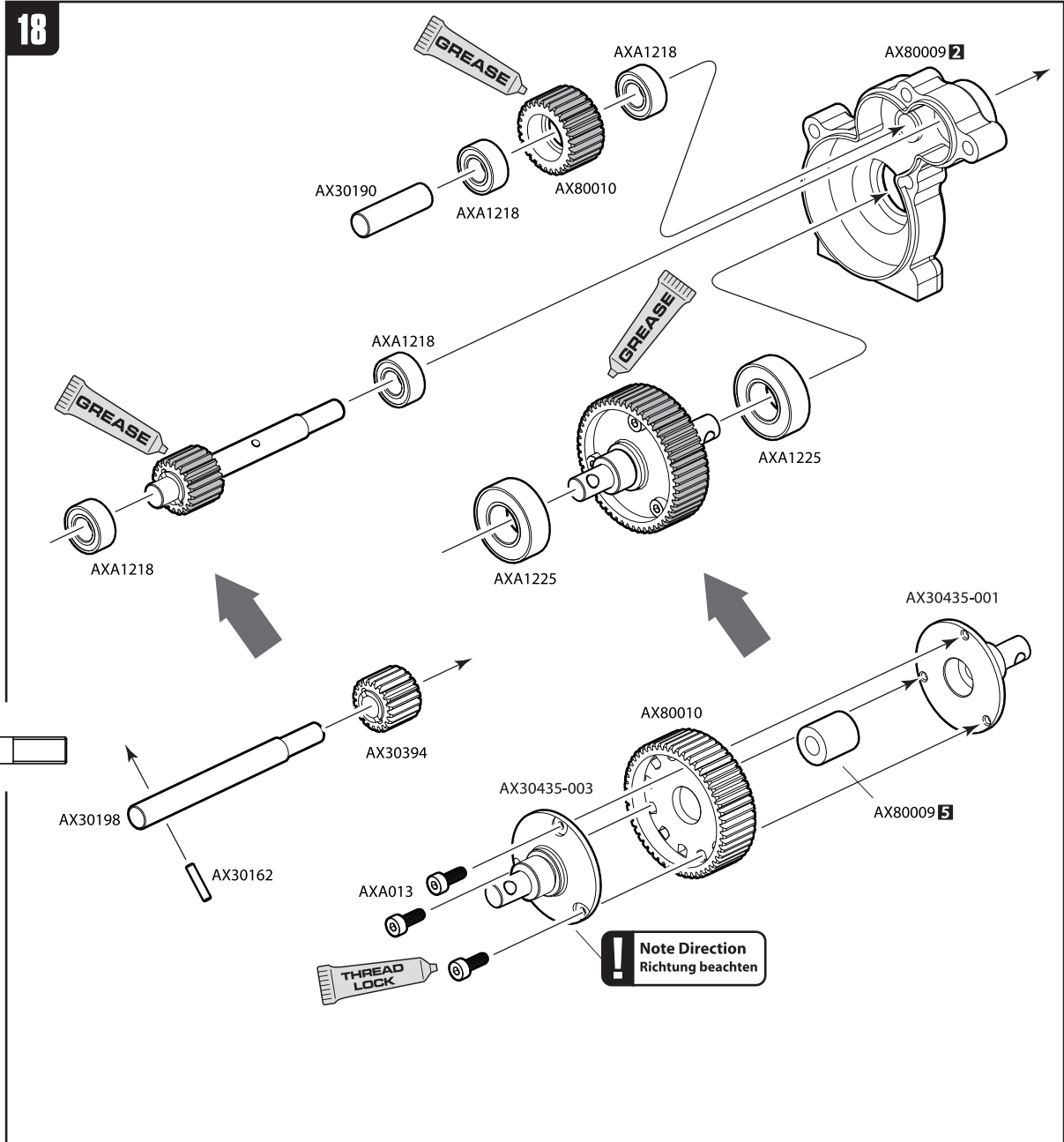
AX30190 x1
Shaft 5x18



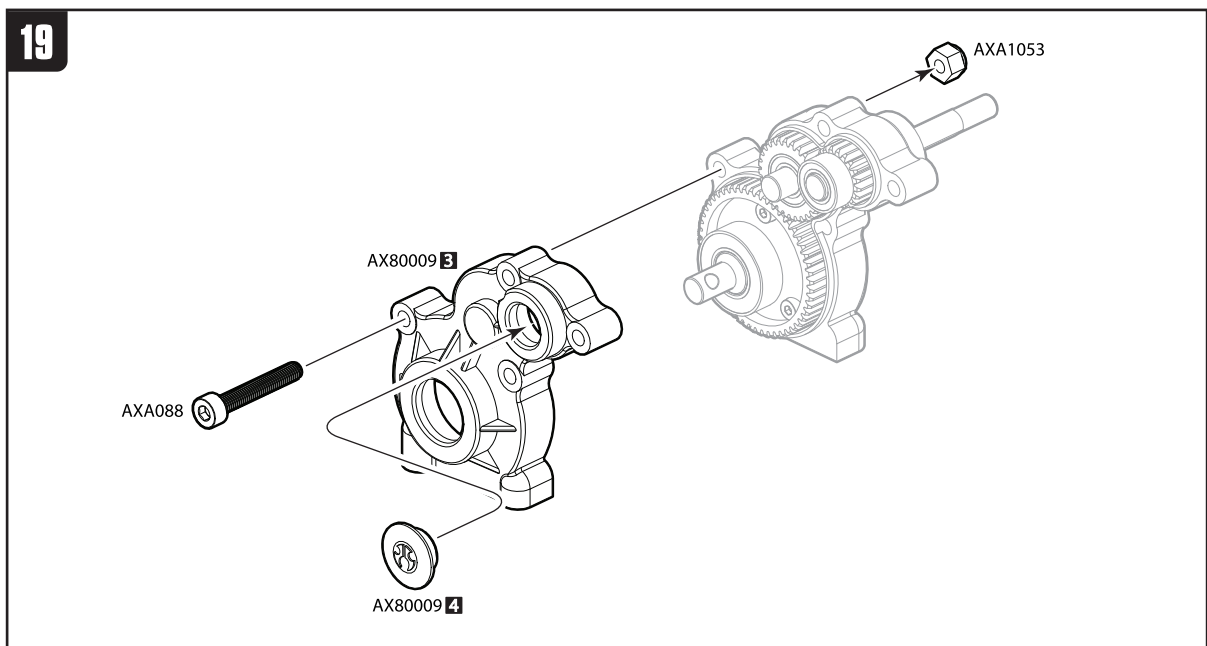
AXA088 x1
M3x20mm



AXA1053 x1
M3 Nylon Locking Hex Nut

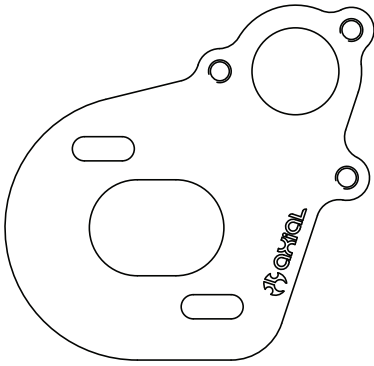


19

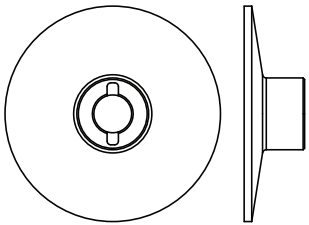




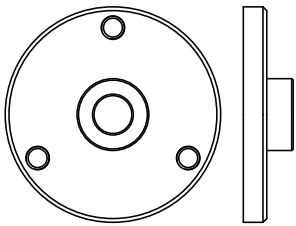
AXA089
M3x25mm **x3**



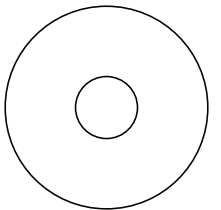
AX30491
AX10 Scorpion Motor Plate **x1**



AX30410
Inner Slipper Plate **x1**



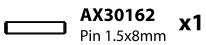
AX30411
Outer Slipper Plate **x1**



AX30412
Slipper Pad 27x8x1mm **x1**



AX30413
Spring 8.5x12 **x1**



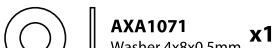
AX30162
Pin 1.5x8mm **x1**



AX1045
M4 Nylon Lock Nut **x1**



AXA1070
Washer 3x6x0.5 **x3**



AXA1071
Washer 4x8x0.5mm **x1**

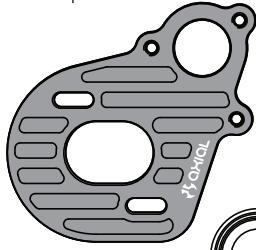


AXA1091
Washer 5x10x0.5mm **x1**

20

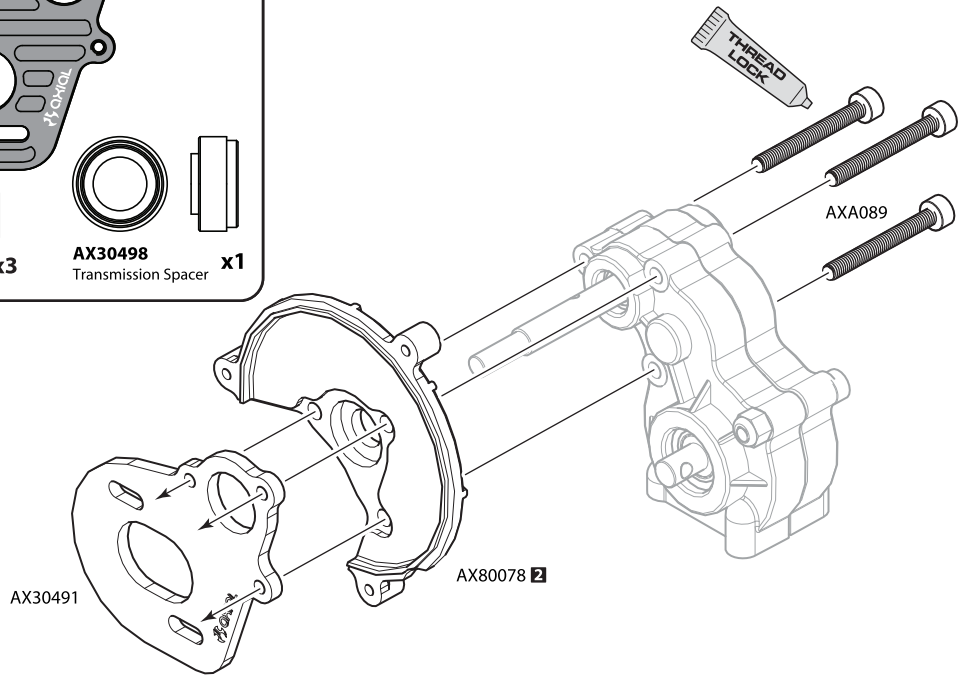
Option Parts

AX30482
AX10 Scorpion Motor Plate

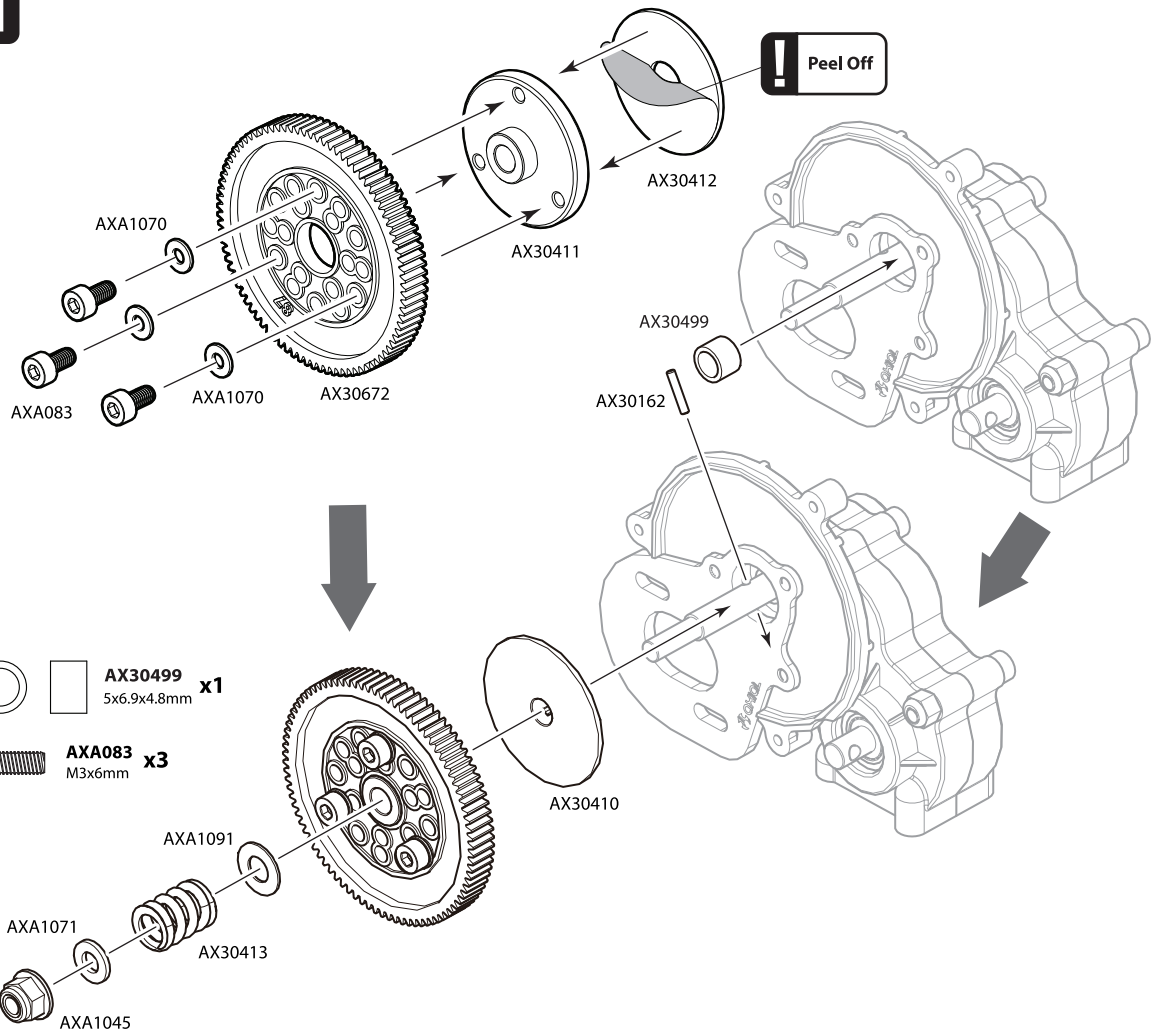


AXA1307
7.5x6mm Spacer **x3**

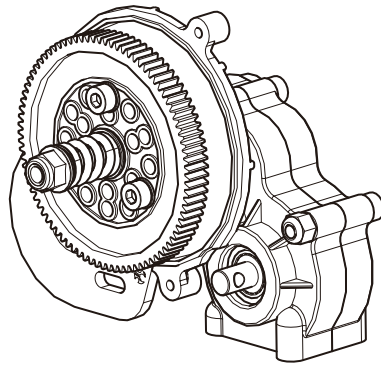
AX30498
Transmission Spacer **x1**



21



Peel Off

22

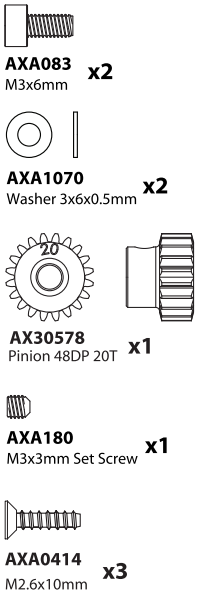
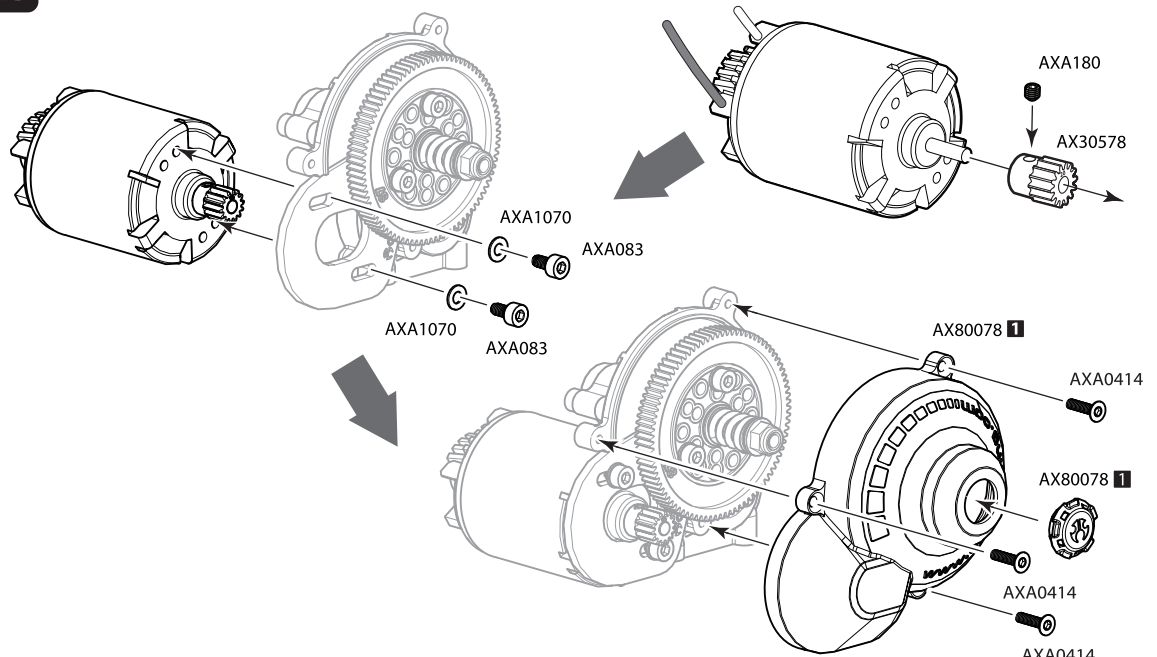
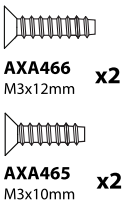
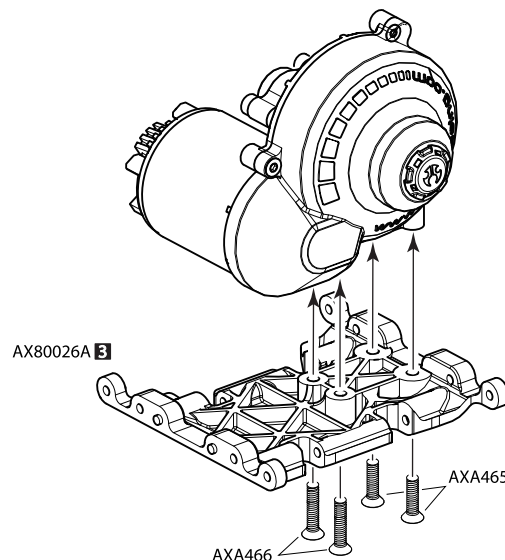
Slipper Clutch Setup

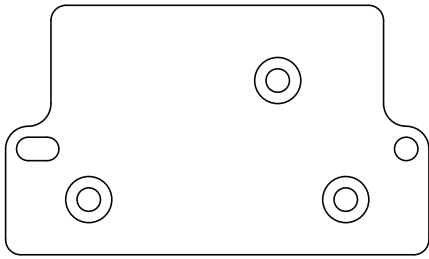
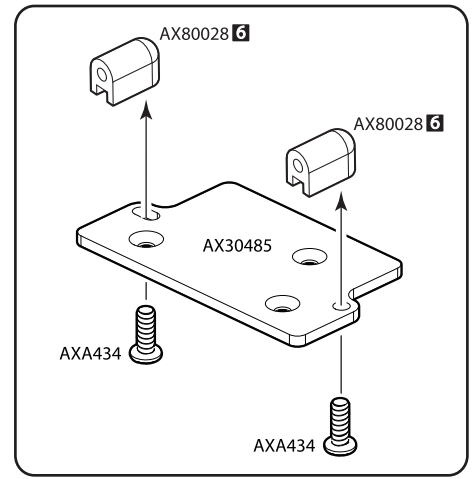
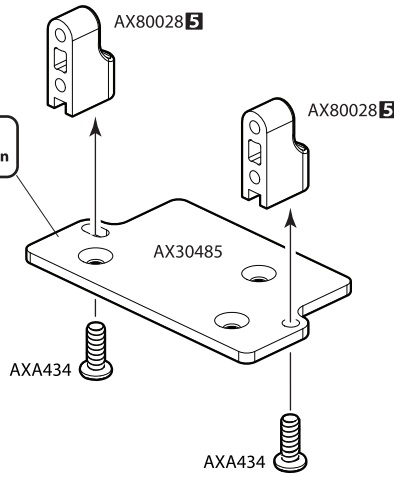
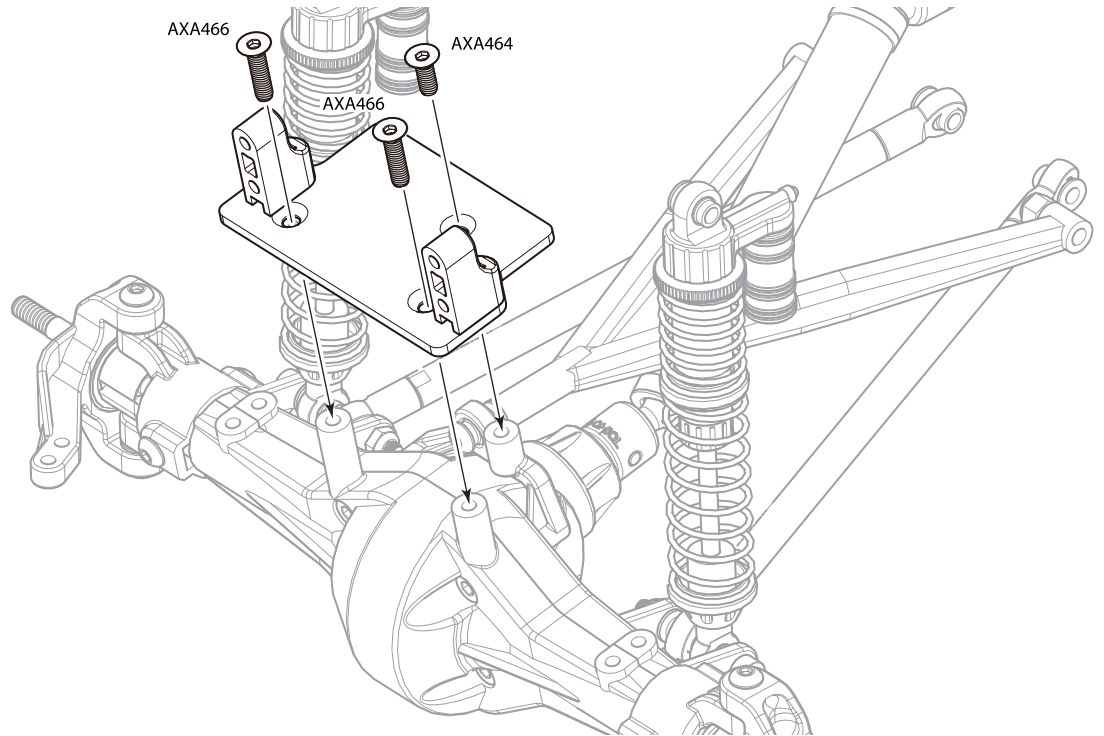
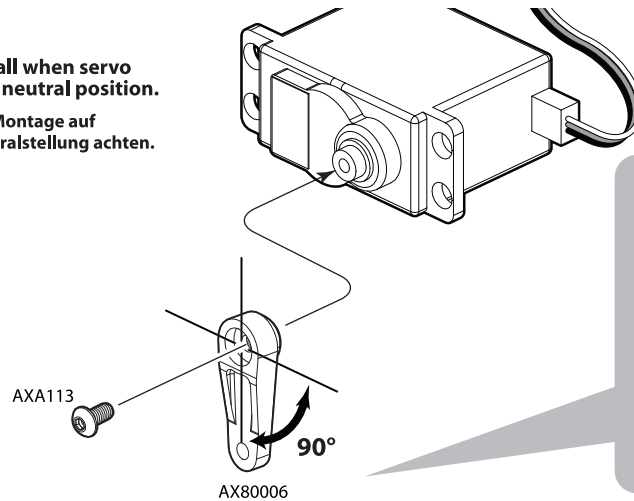
To set the slipper clutch, tighten the nut (⌚ Clockwise) until it stops then loosen it 2 turns (⌚ Counter clockwise). The spur gear should slip when firm pressure is applied. Do not overtighten the slipper clutch, damage may occur to the drivetrain.

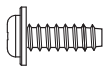
Testing the slipper clutch

1. Hold the tires
2. Use your fingers to rotate the spur gear

Note: The spur gear should slip when firm pressure is applied. If it does not slip, loosen the nut in 1/2 turn increments

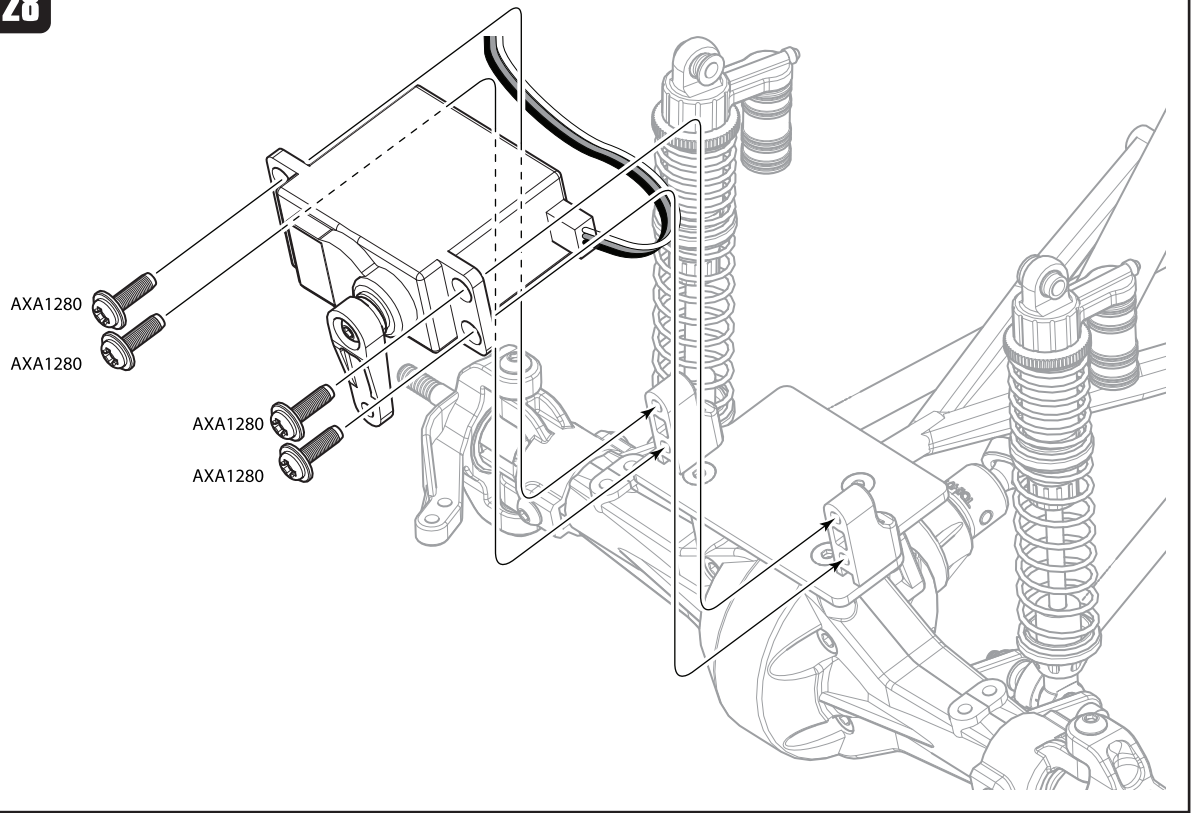
23**24**

E**Open Bag E****25****AXA434**
M3x8mm **x2****AX30485**
AX10 Scorpion Servo Plate **x1****!** Note Direction
Richtung beachten**AXA466**
M3x12mm Hex Socket Tapping Flat Head **x2****AXA464**
M3x8mm Hex Socket Tapping Flat Head **x1****26****AXA113**
M3x6mm **x1****27****Install when servo is in neutral position.**
Bei Montage auf Neutralstellung achten.**AX80006**
23 **Airtronics / JR / KO****AX80006**
24 **Hitec****AX80006**
25 **Futaba**



AXA1280
M3x10mm **x4**

28



AXA117
M3x15mm Hex Socket Button Head **x2**



AXA120
M3x25mm Hex Socket Button Head **x1**



AXA1414 **x1**
6x2x3mm



AXA1052 **x2**
M3 Nylon Locking Hex Nut



AXA1053 **x1**
M3 Nylon Locking Hex Nut



AXA186 **x4**
3x16mm Set Screw

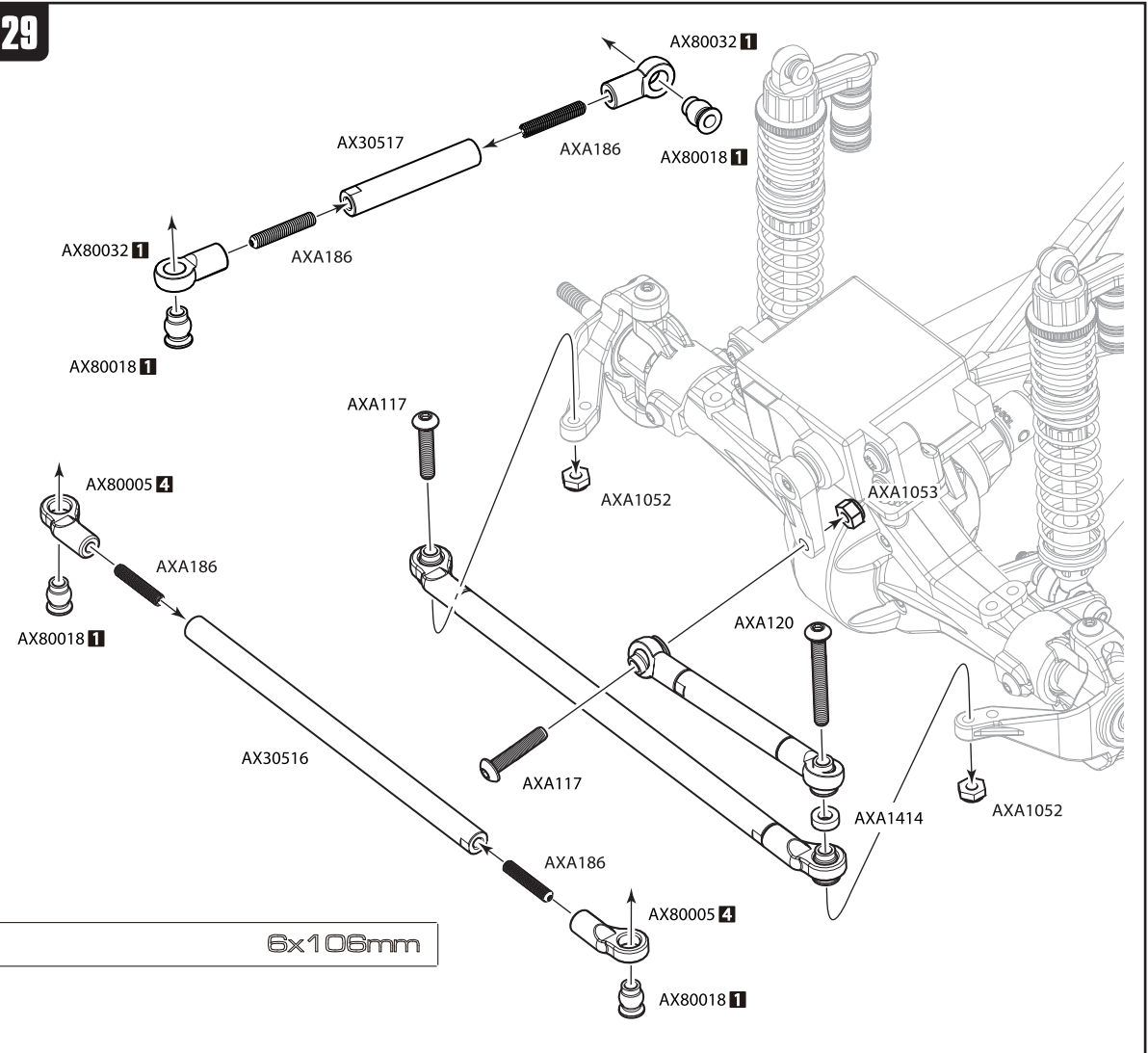


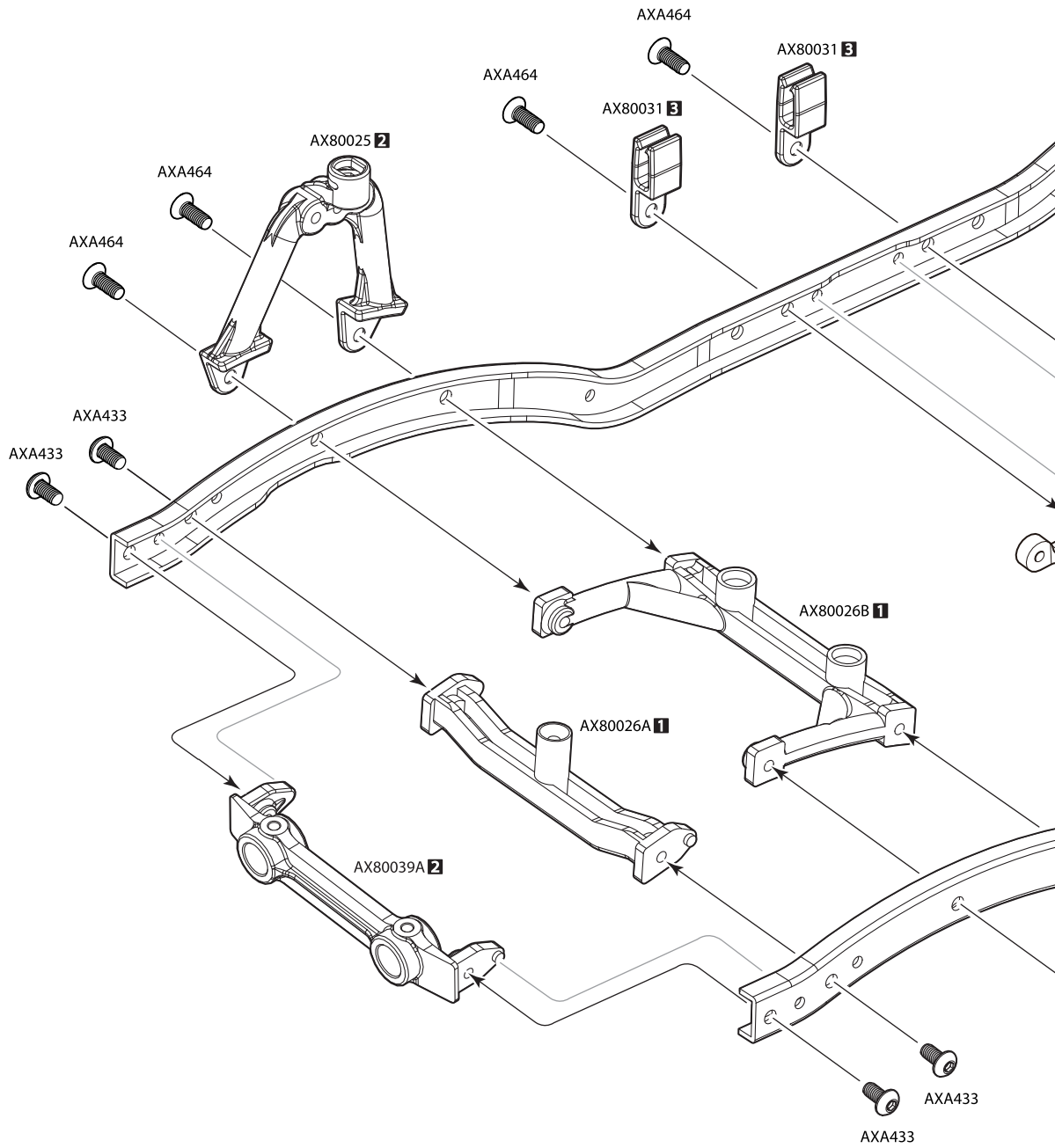
AX30517 **x1**
6x33mm

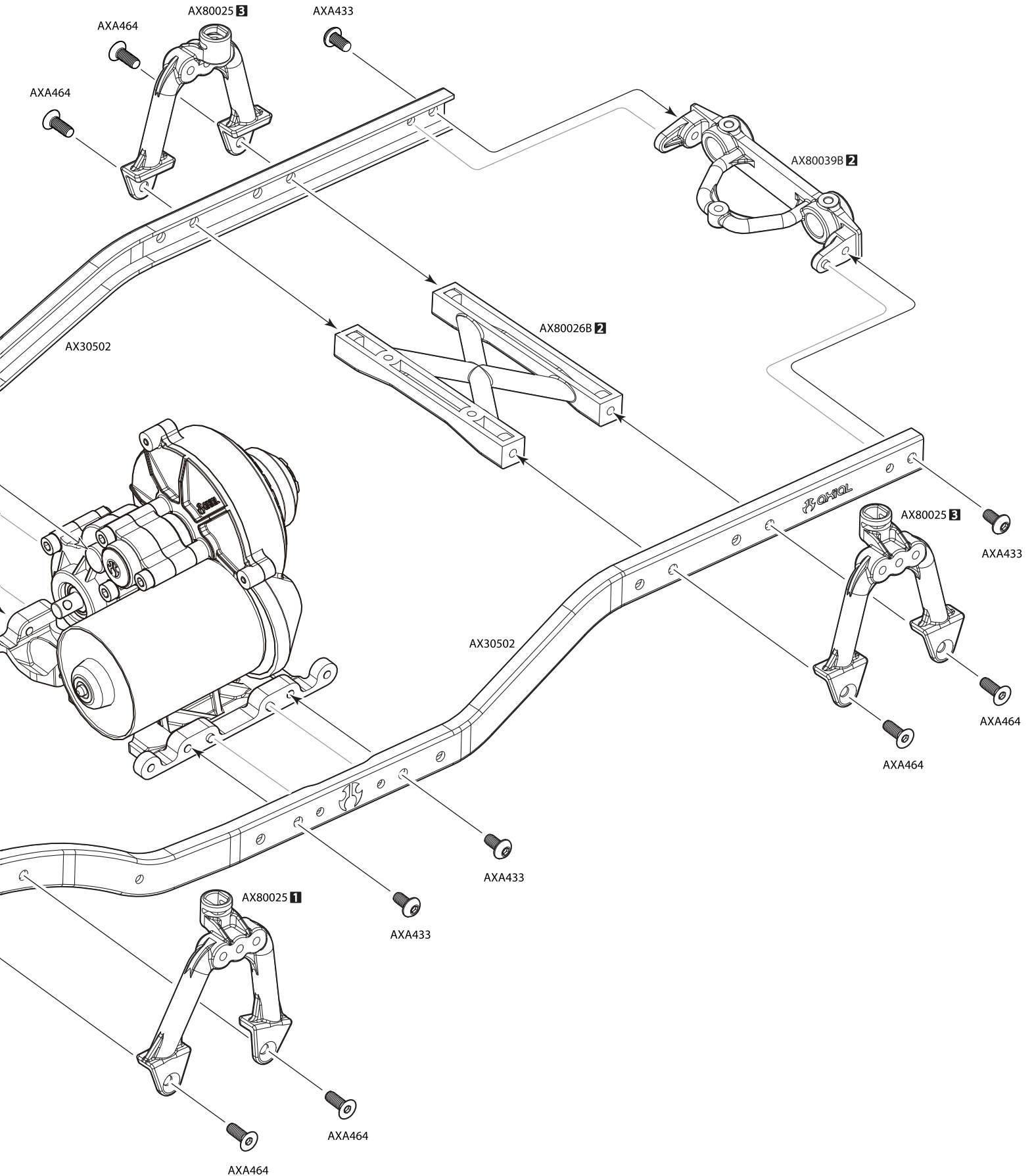


AX30516 **x1**
6x106mm

29



**AXA433** x8
M3x6mm**AXA464** x10
M3x8mm



31



AXA119
M3x20mm Hex Socket Button Head **x2**



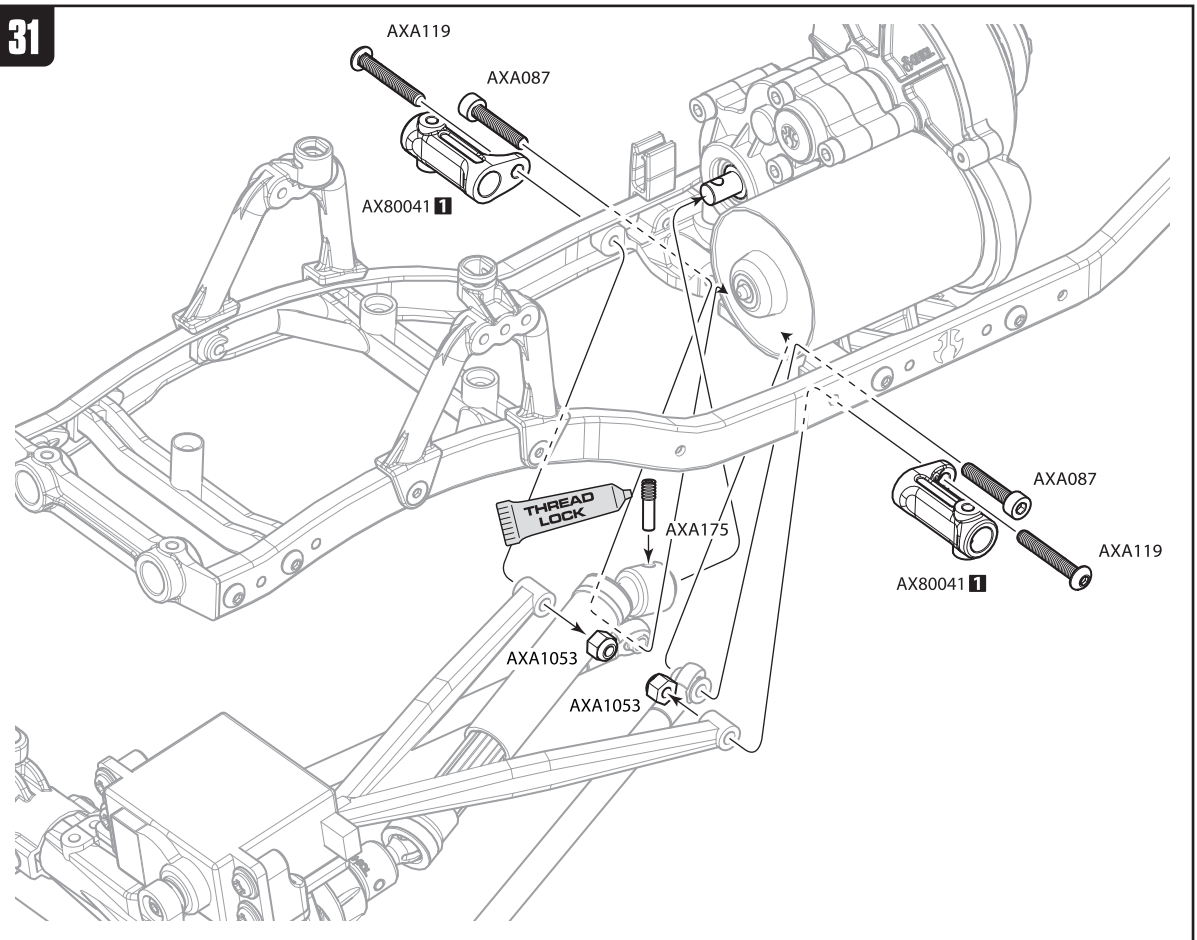
AXA087
M3x16mm Cap Head **x2**



AXA1053
M3 Nylon Lock Nut **x2**



AXA175
Screw Shaft M3x2.5x11mm **x1**



32



AXA119
M3x20mm Hex Socket Button Head **x2**



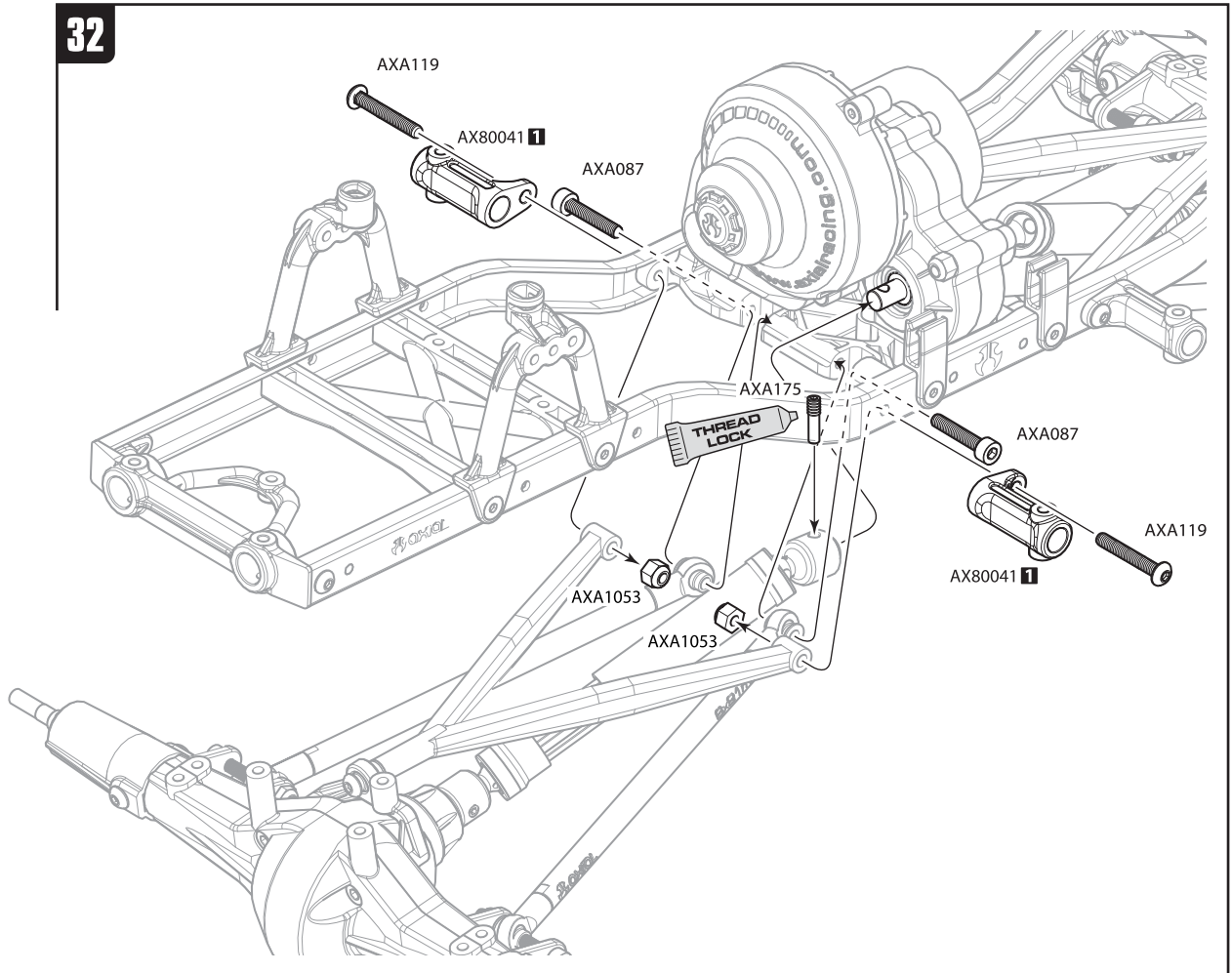
AXA087
M3x16mm Cap Head **x2**



AXA1053
M3 Nylon Lock Nut **x2**



AXA175
Screw Shaft M3x2.5x11mm **x1**





AXA438
M3x18mm Tapping Button Head **x2**

33

AXA438

AX80032 

AX80032 

AXA438



AXA438
M3x18mm Tapping Button Head **x2**

34

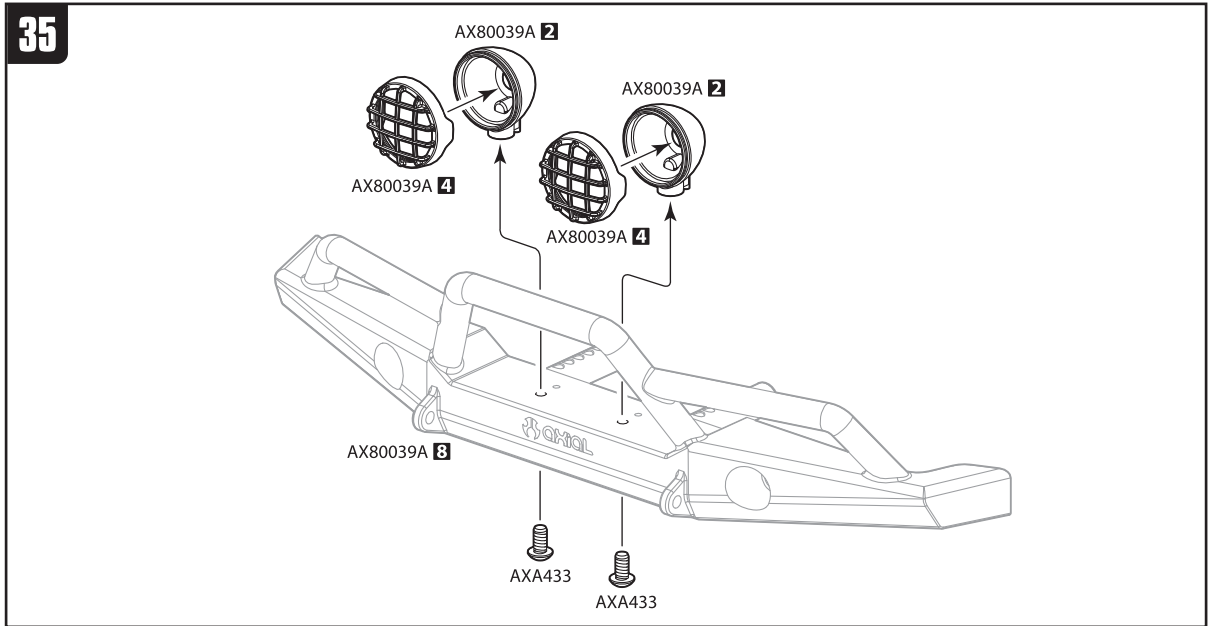
AXA438

AX80032 

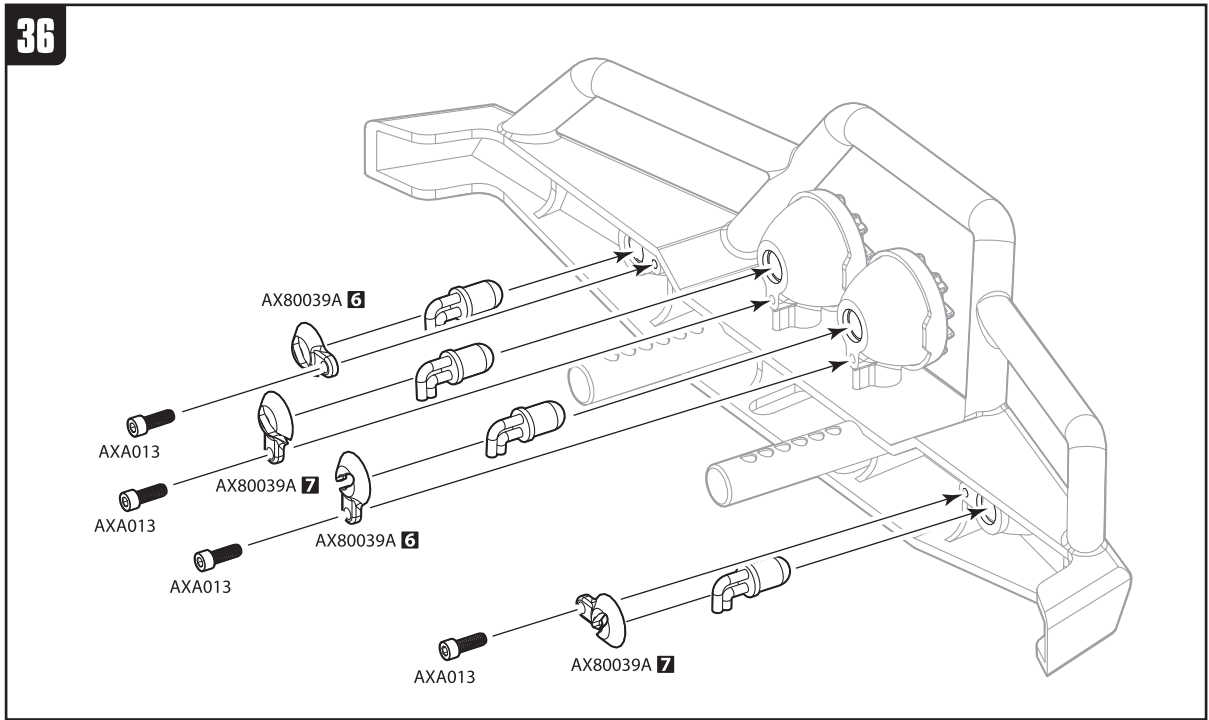
AX80032 

AXA438

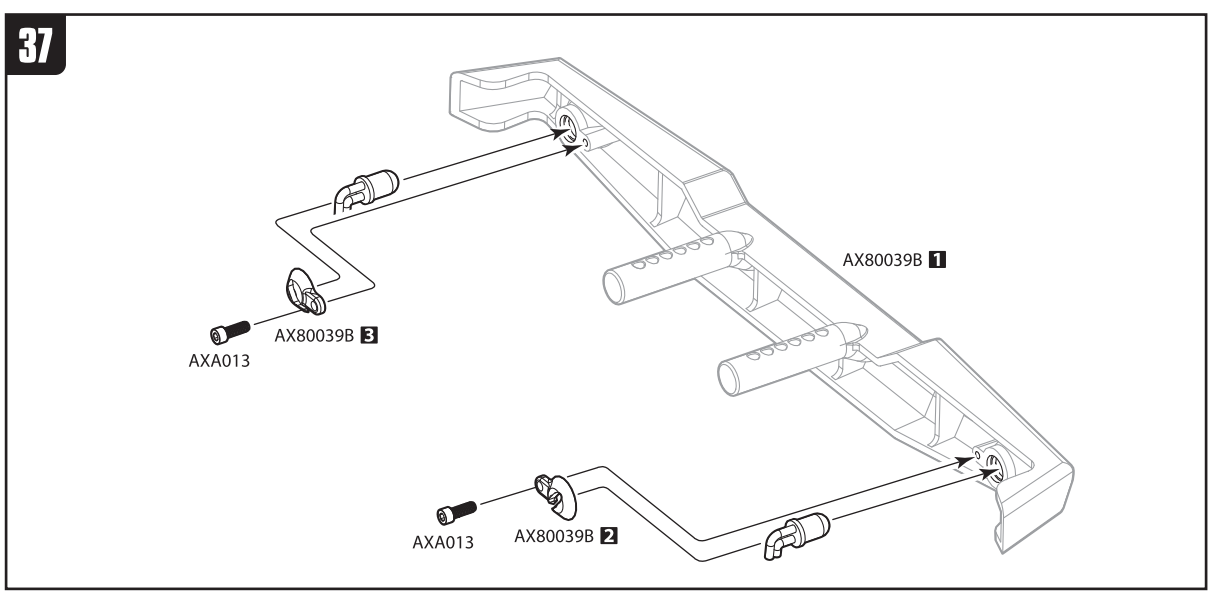
 **AXA433**
M3x6mm **x2**

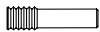


 **AXA013**
M2x6mm **x4**



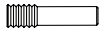
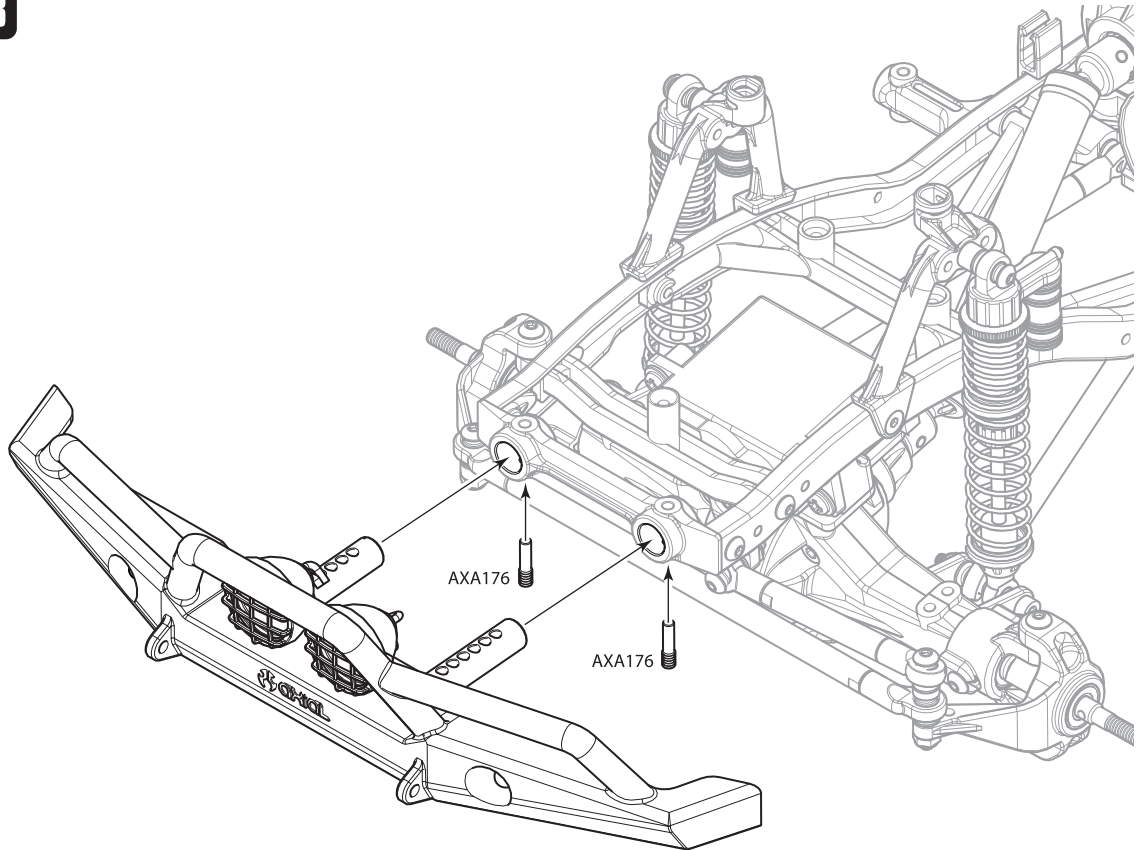
 **AXA013**
M2x6mm **x2**





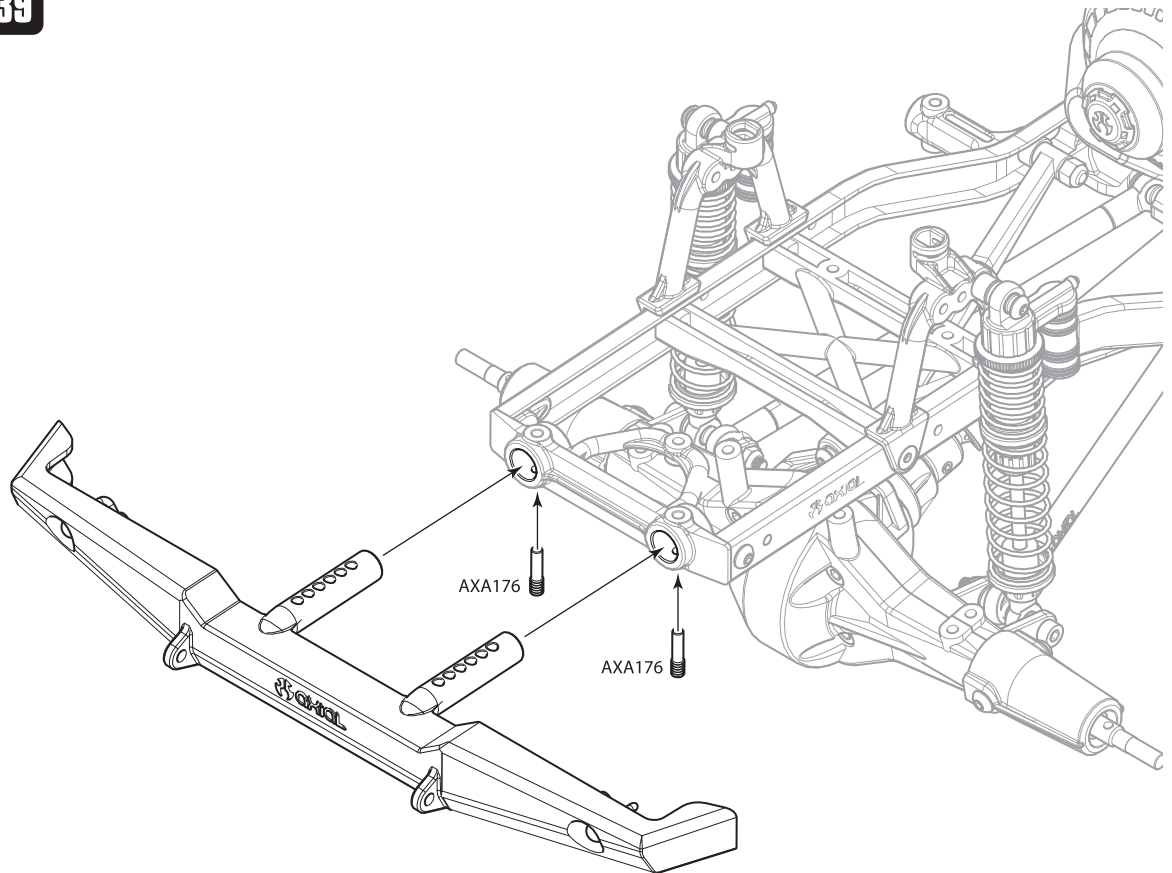
AXA176
M3x2.5x13mm Screw Shaft **x2**

38

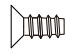



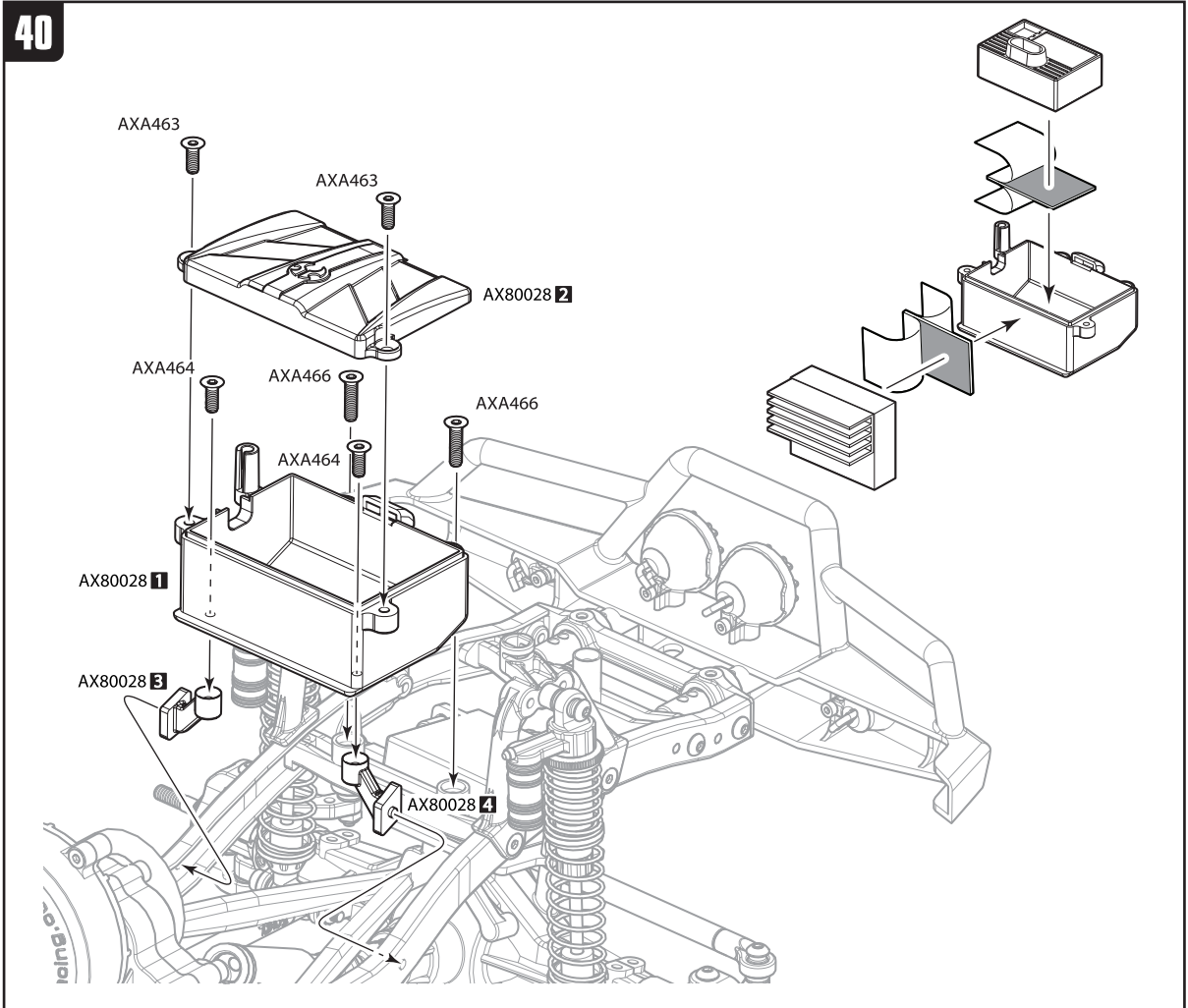
AXA176
M3x2.5x13mm Screw Shaft **x2**

39

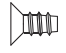



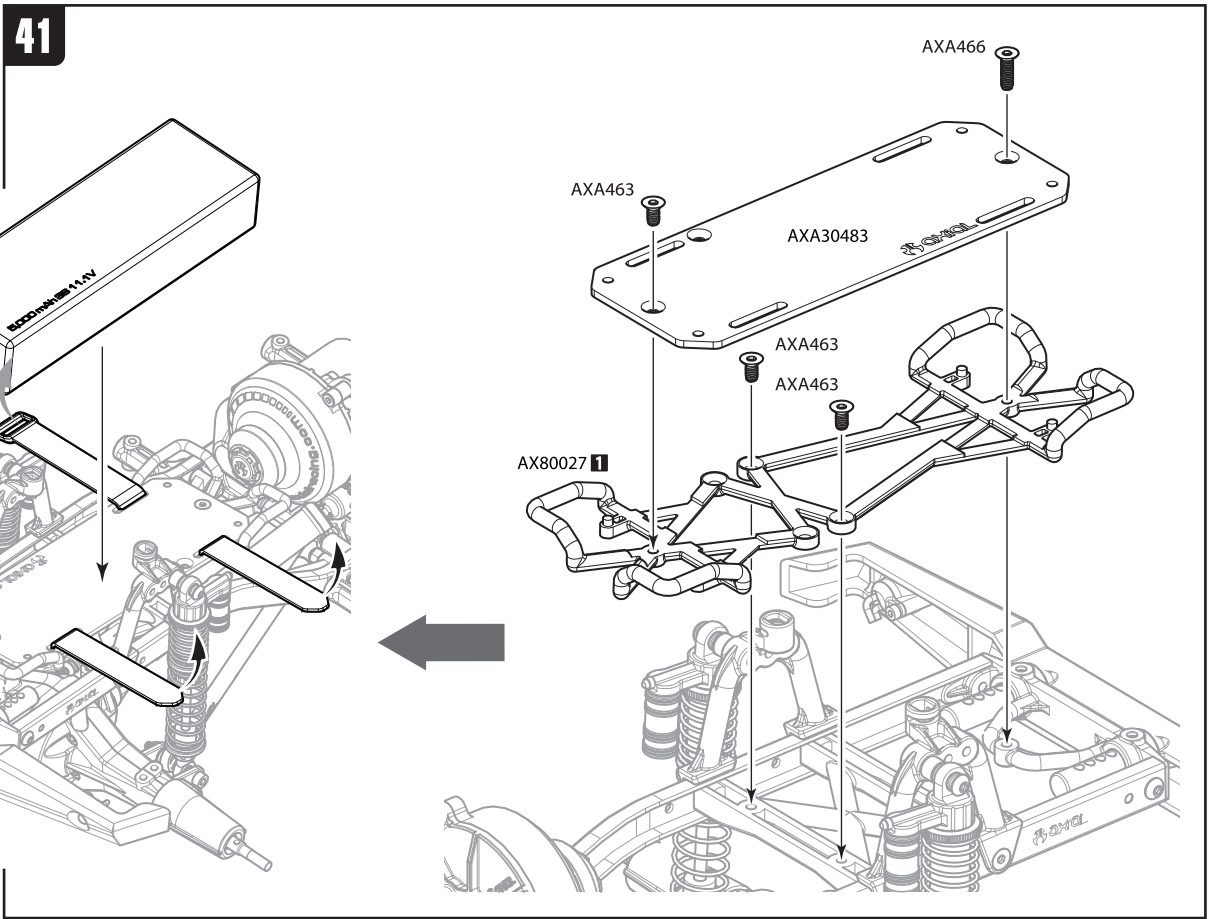
40

-  **AXA463**
M3x6mm Tapping Flat Head **x2**
-  **AXA464**
M3x8mm Tapping Flat Head **x2**
-  **AXA466**
M3x12mm Tapping Flat Head **x2**



41

-  **AXA463**
M3x6mm Hex Socket Tapping Flat Head **x3**
-  **AXA466**
M3x12mm Tapping Flat Head **x1**



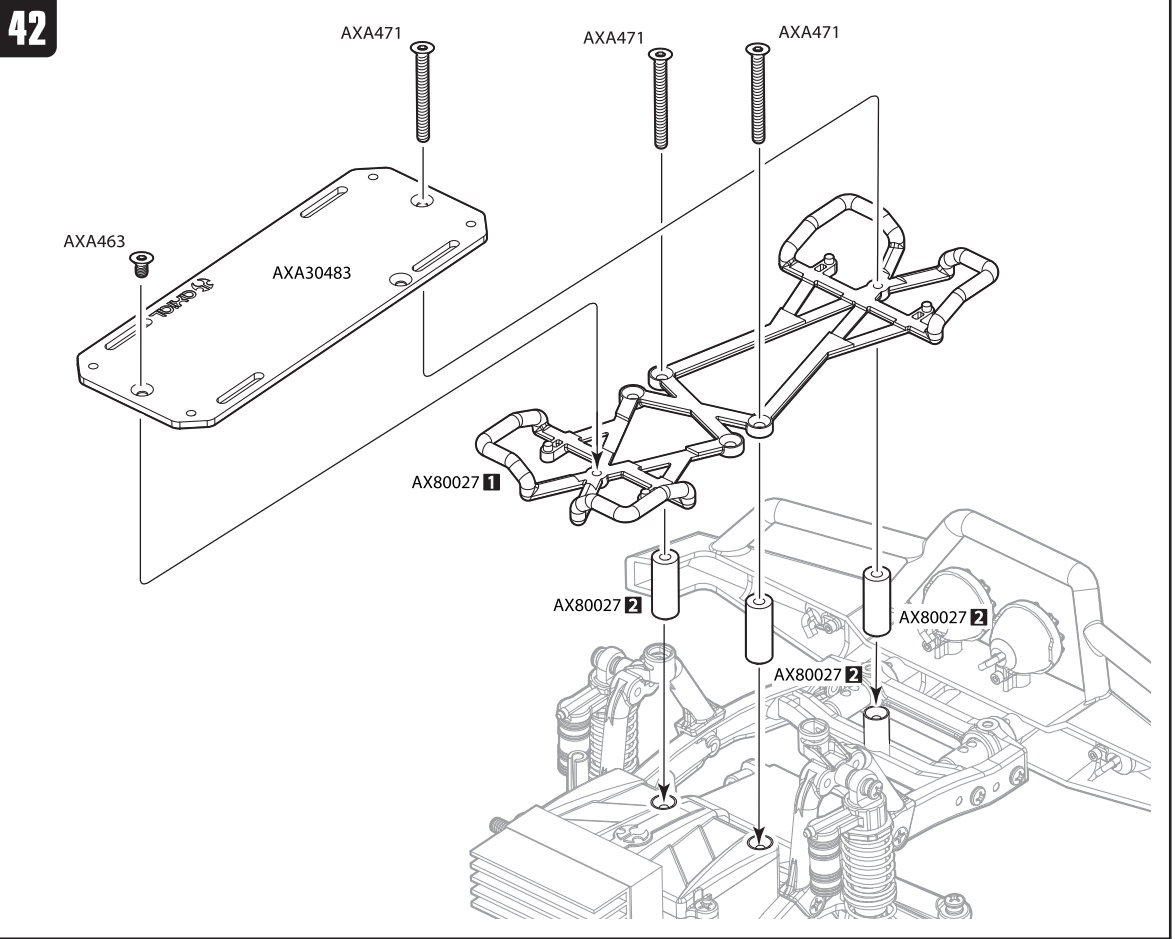
Optional Battery Mounting



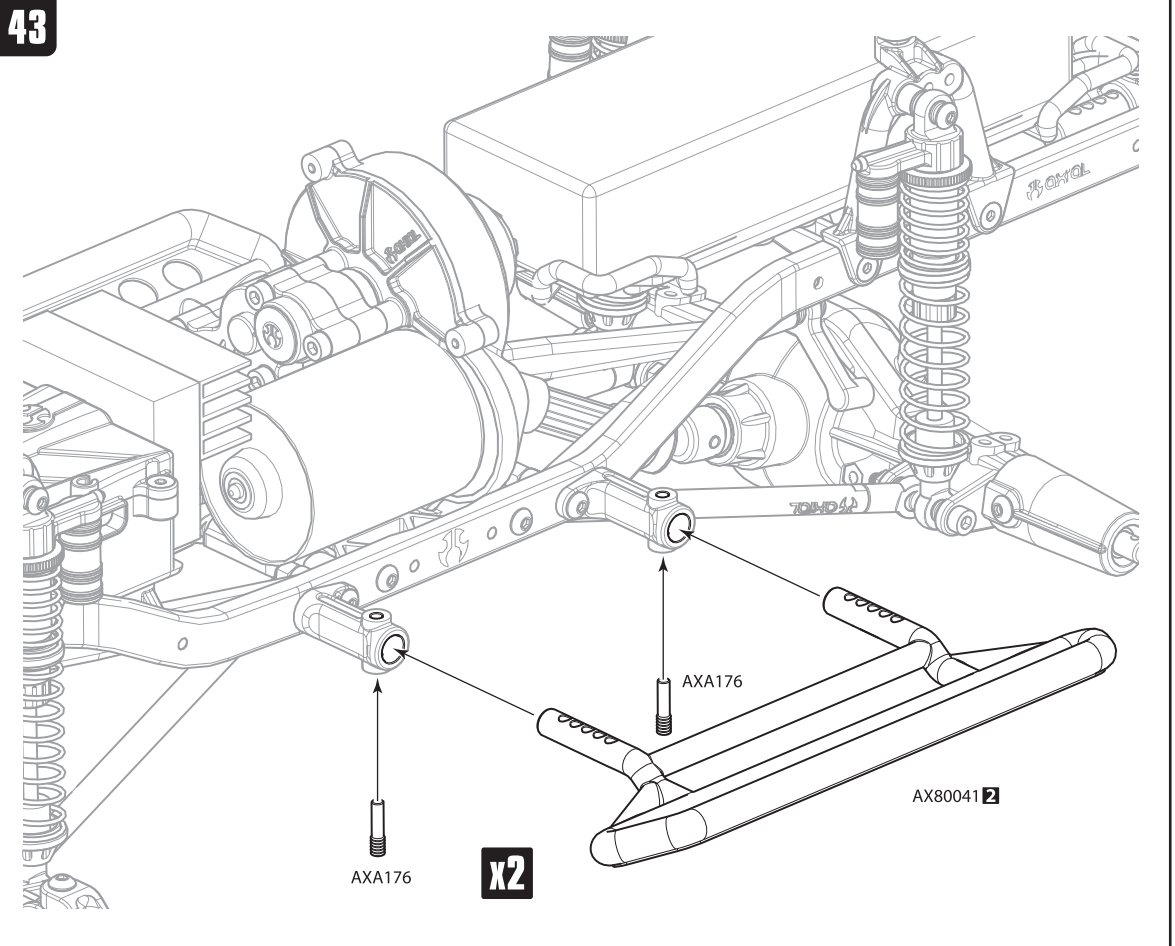
AXA463
M3x6mm Hex Socket Tapping Flat Head **x1**

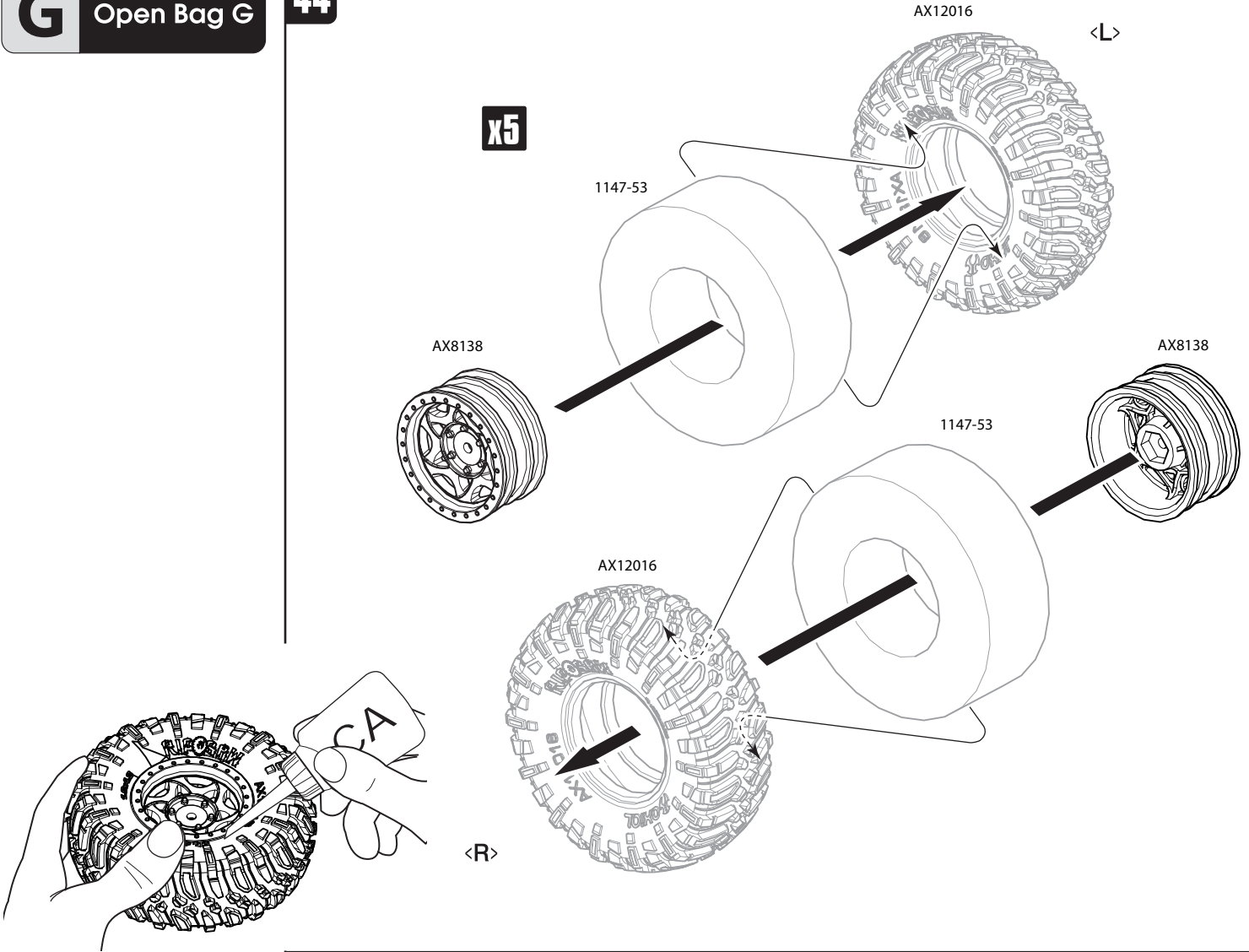





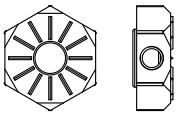
AXA471
M3x30mm Hex Socket Flat Head **x3**

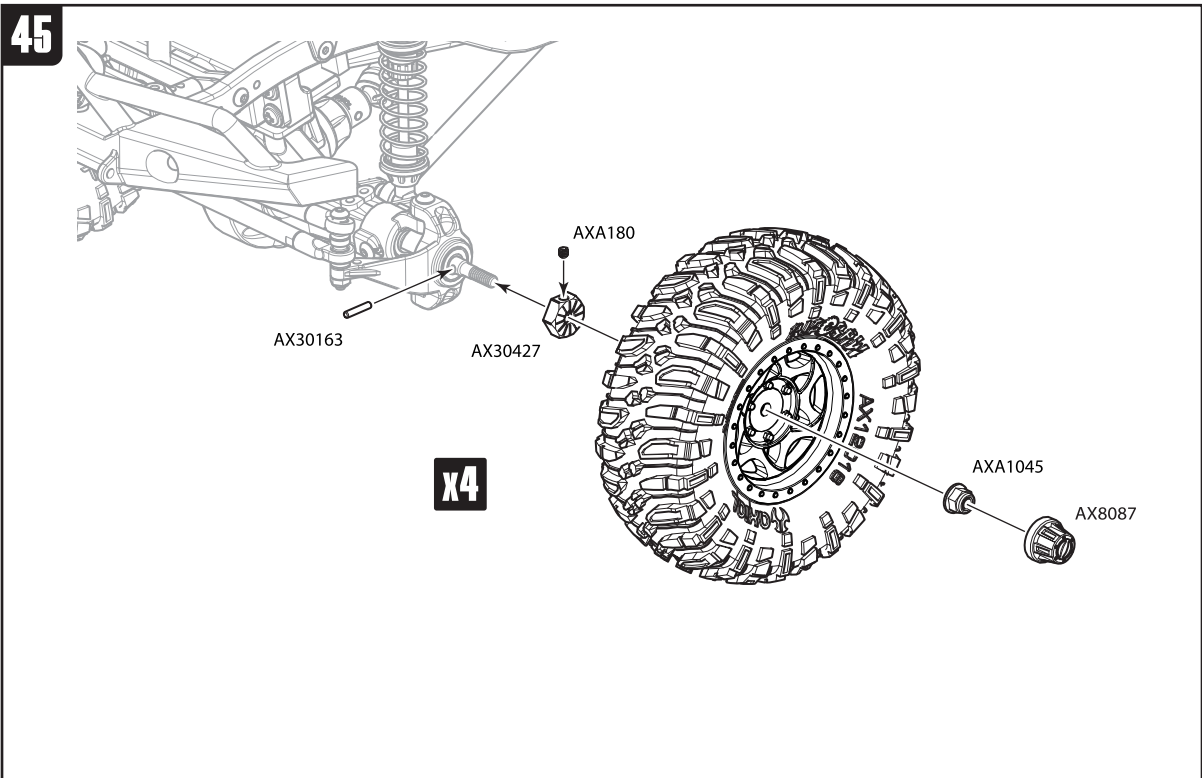


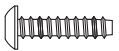
AXA176
M3x2.5x13mm Screw Shaft **x4**





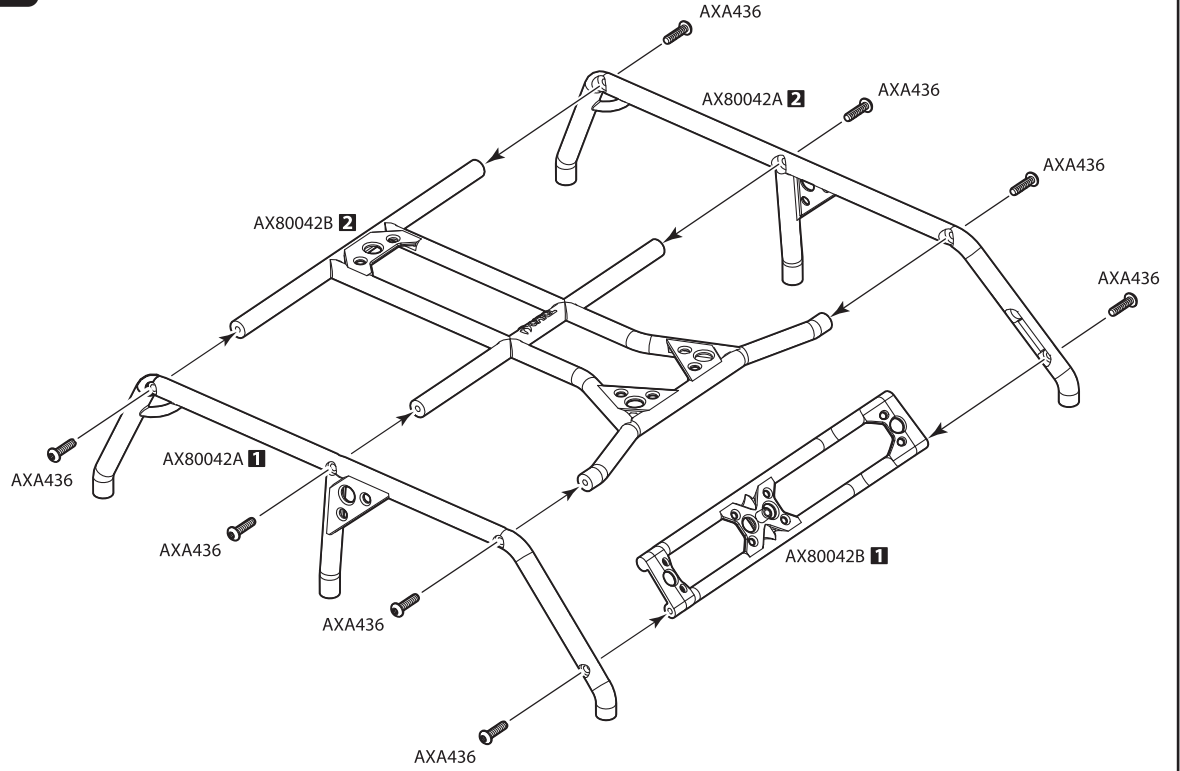
-  **AXA180**
M3x3mm Set Screw **x4**
-  **AXA30163**
Pin 2x10mm **x4**
-  **AXA1045**
M4 Nylon Lock Nut **x4**
-  **AX30427**
12mm Aluminum Hub **x4**





AXA436
M3x12mm **x8**

46

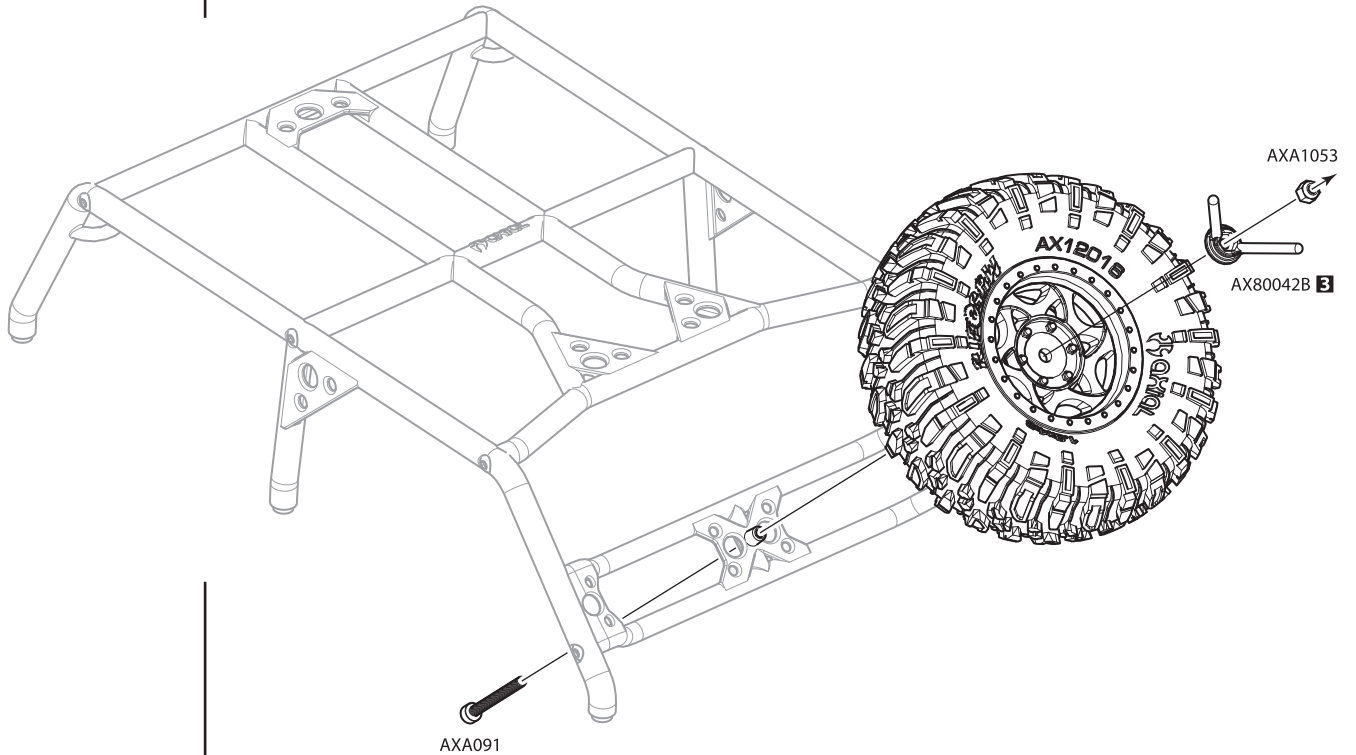


AXA1053
M3 Nylon Locking Hex Nut **x1**



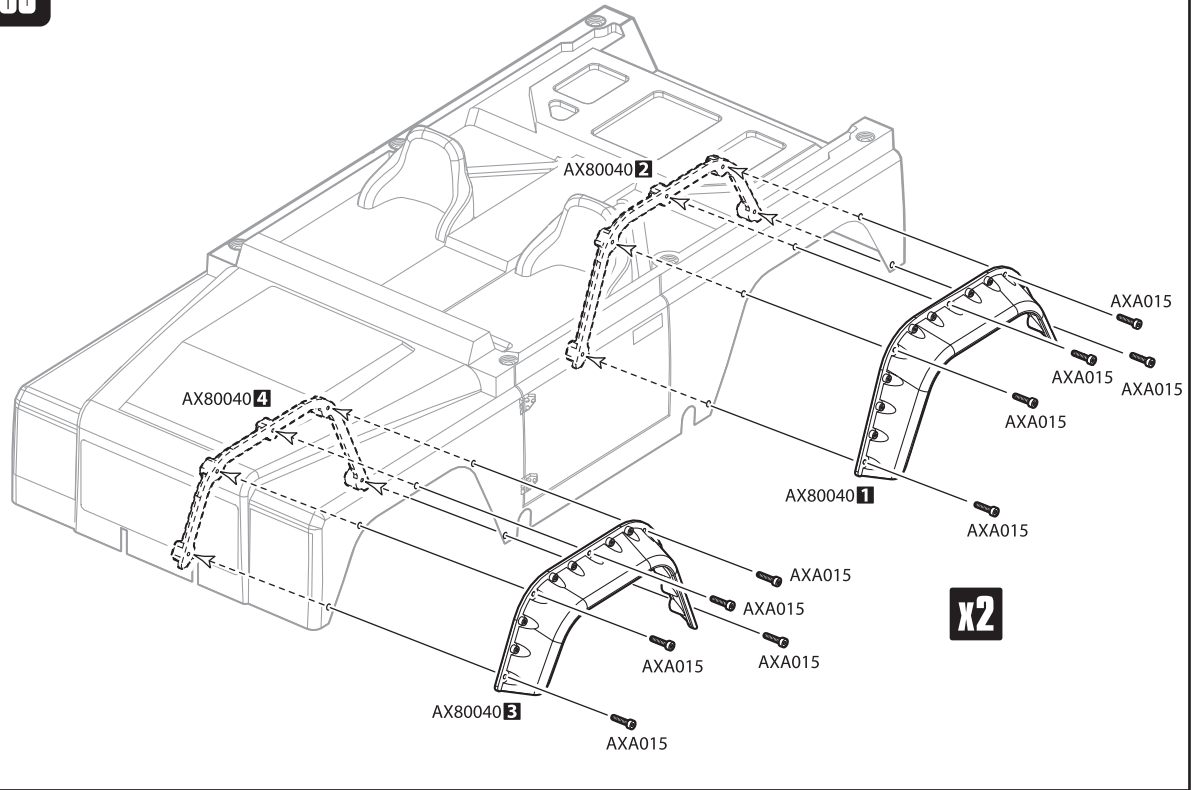
AXA091
M3x30mm **x1**

47



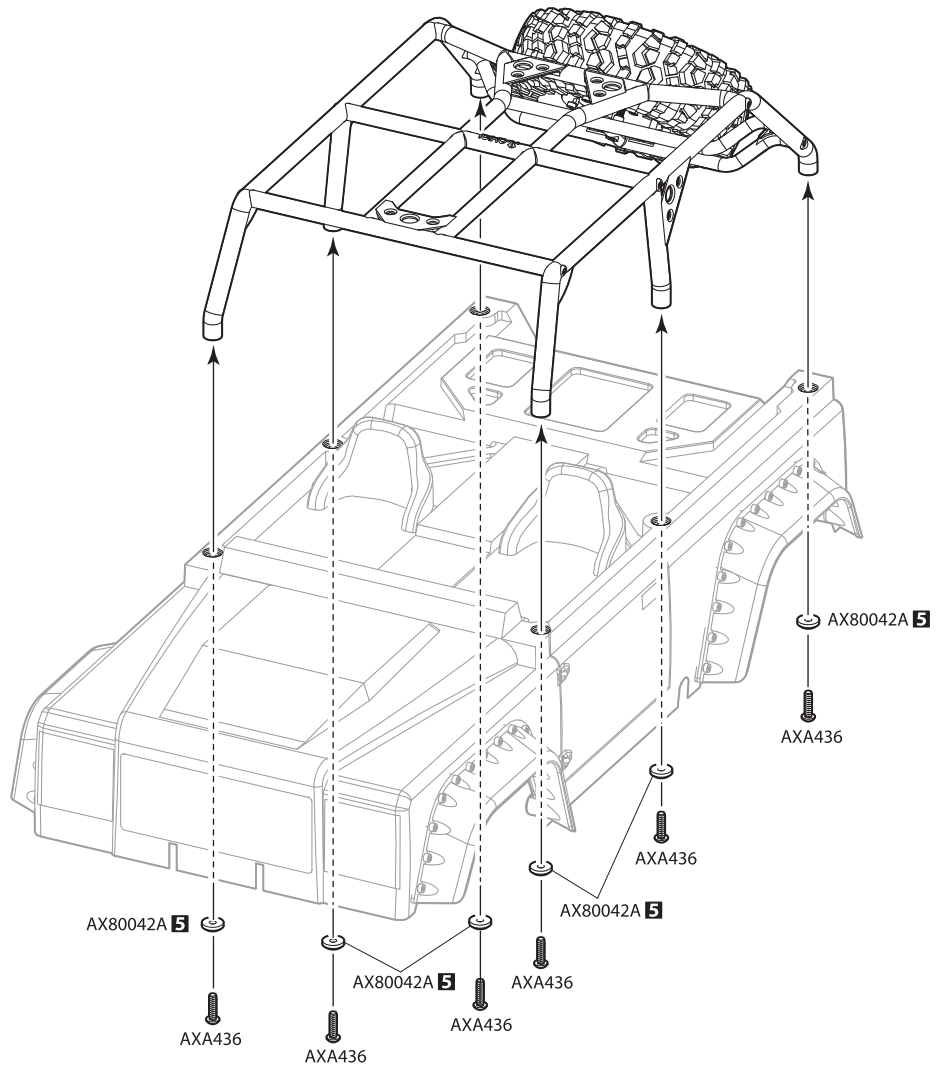
AXA015
M2x10mm x20

50



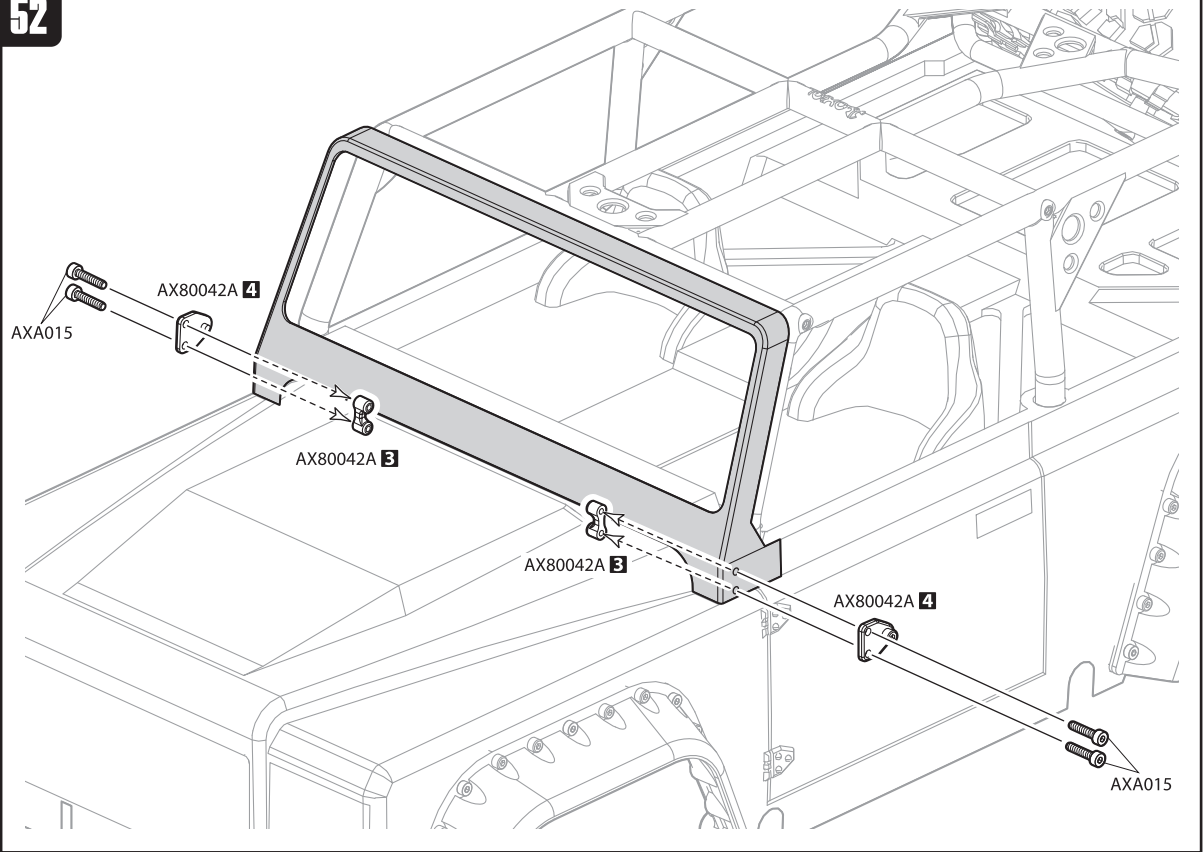
AXA436
M3x12mm x6

51



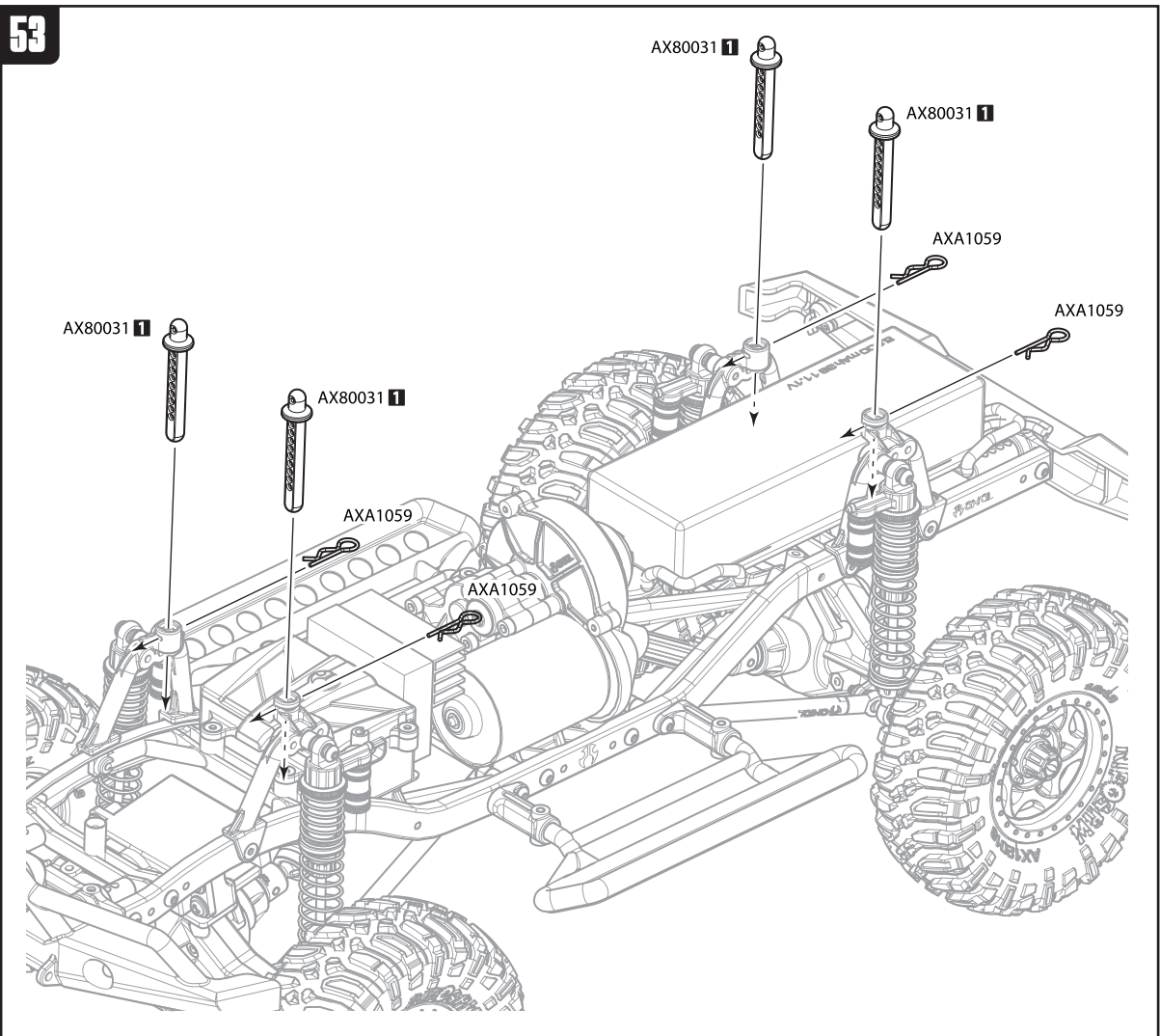
 **AXA015**
M2x10mm **x4**

52



 **AXA1059**
6mm Body Clip **x4**

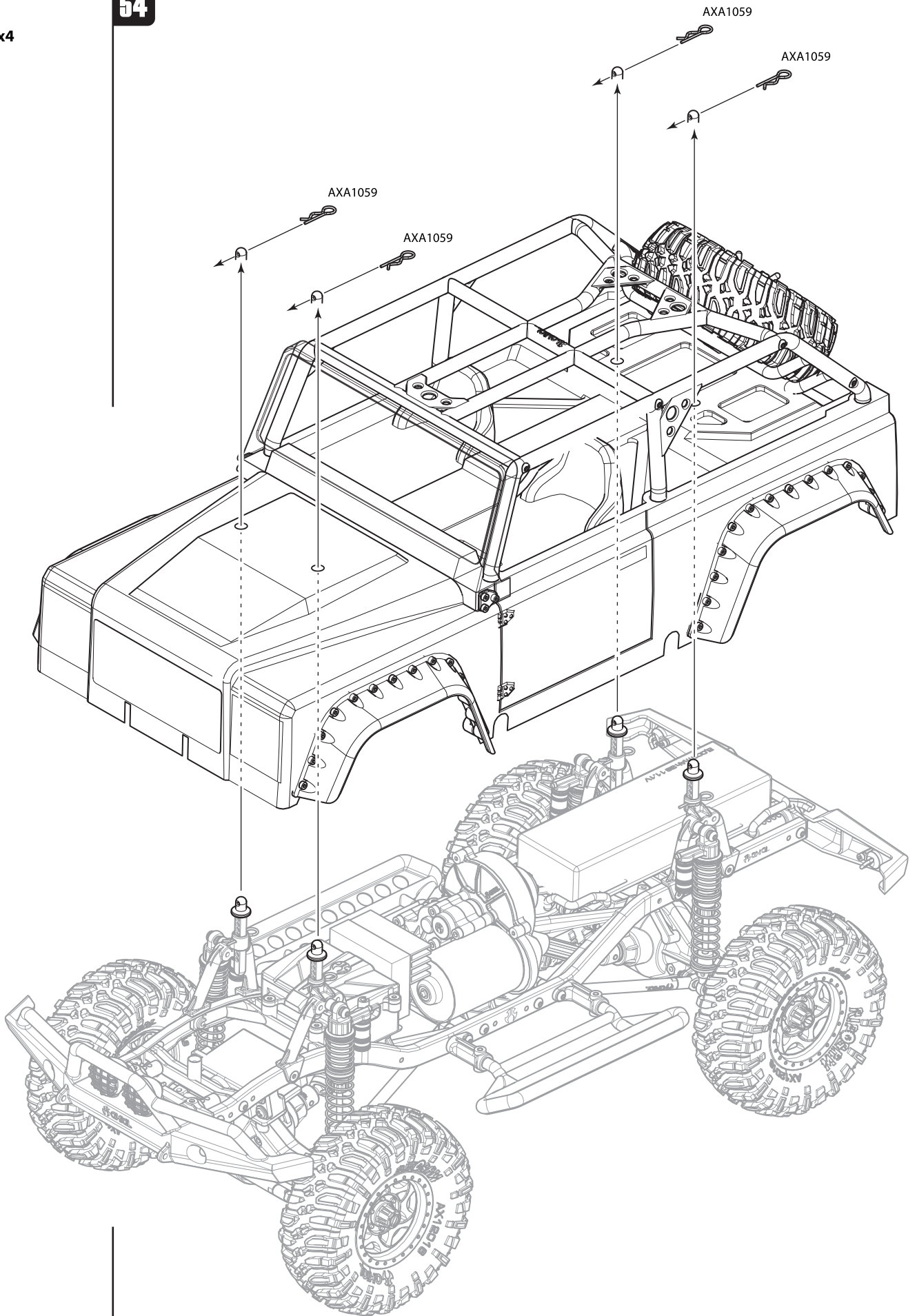
53





AXA1059 x4
6mm Body Clip

54



DESERT RUNNER
CRAWLER
TRAIL RUNNER
ROCK RACER
MUD BOGGER

TOUGH TRUCK
FORMULA OFF-ROAD
TIERRA DEL SOL
MUDDY MOTORPARK
OVERLAND ADVENTURE
HAMMERS
BAJA
DIRTY SOUTH CRAWLIN'
SAFARI
SAND DUNE BLAZING
MUD BOGGING
ROCK RACING
OVERLAND EXPEDITIONS
BACKYARD BASHING
DESERT EXPLORATION
MUD
SNOW
SAND
FOREST
DESERT
URBAN

READY-TO-RUN

WRAITH

1/10th SCALE ELECTRIC 4WD ROCK RACER

ANY CATEGORY, EVERY STYLE, ALL TERRAIN.

THE AXIAL WRAITH™ IS THE MOST VERSATILE PLATFORM; MAKING IT FUN WHEREVER YOU GO.



See the Wraith™
in action!



DO ANYTHING,
GO ANYWHERE.™



1/10th 4WD

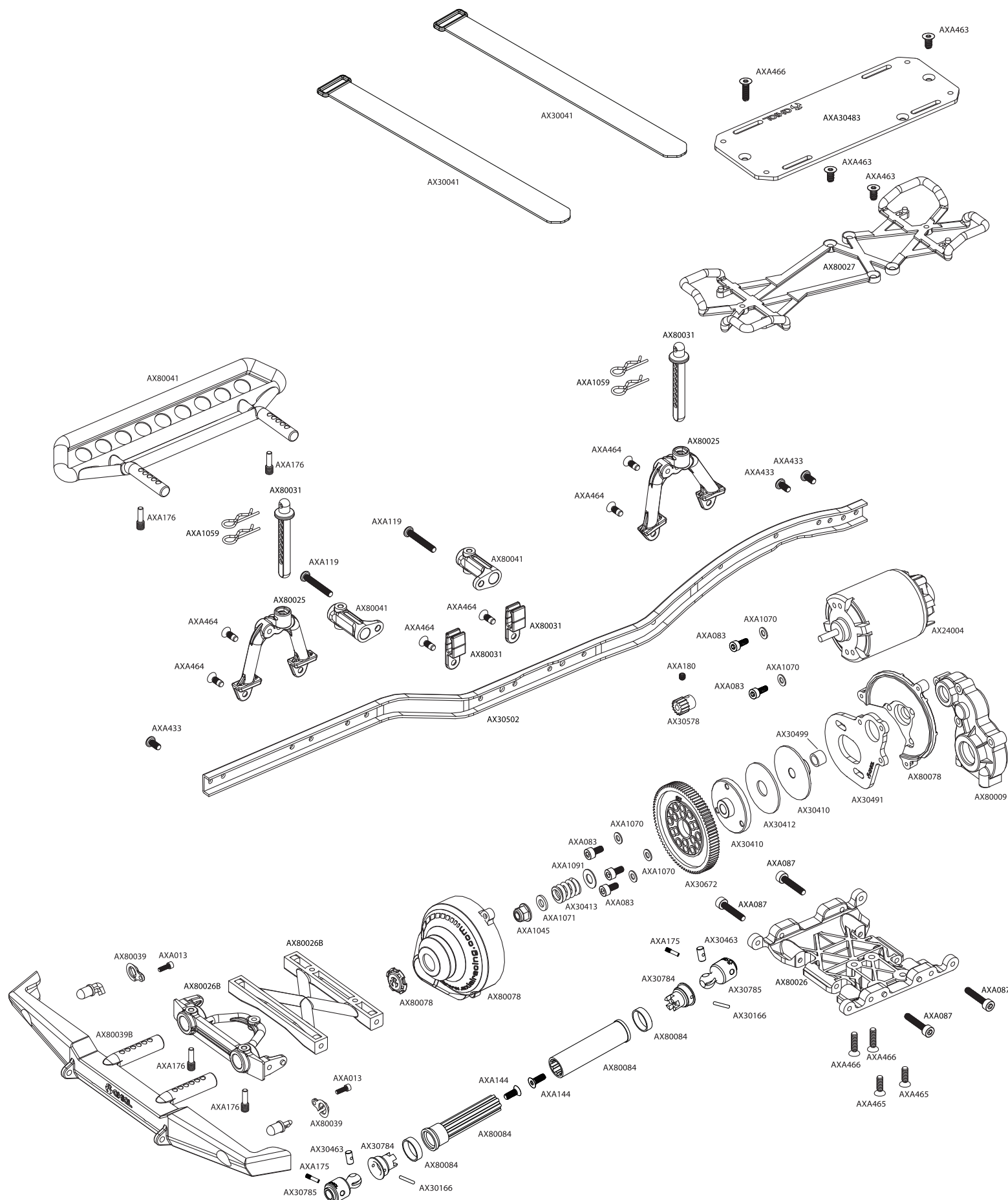
WRAITH
PART# AX90018



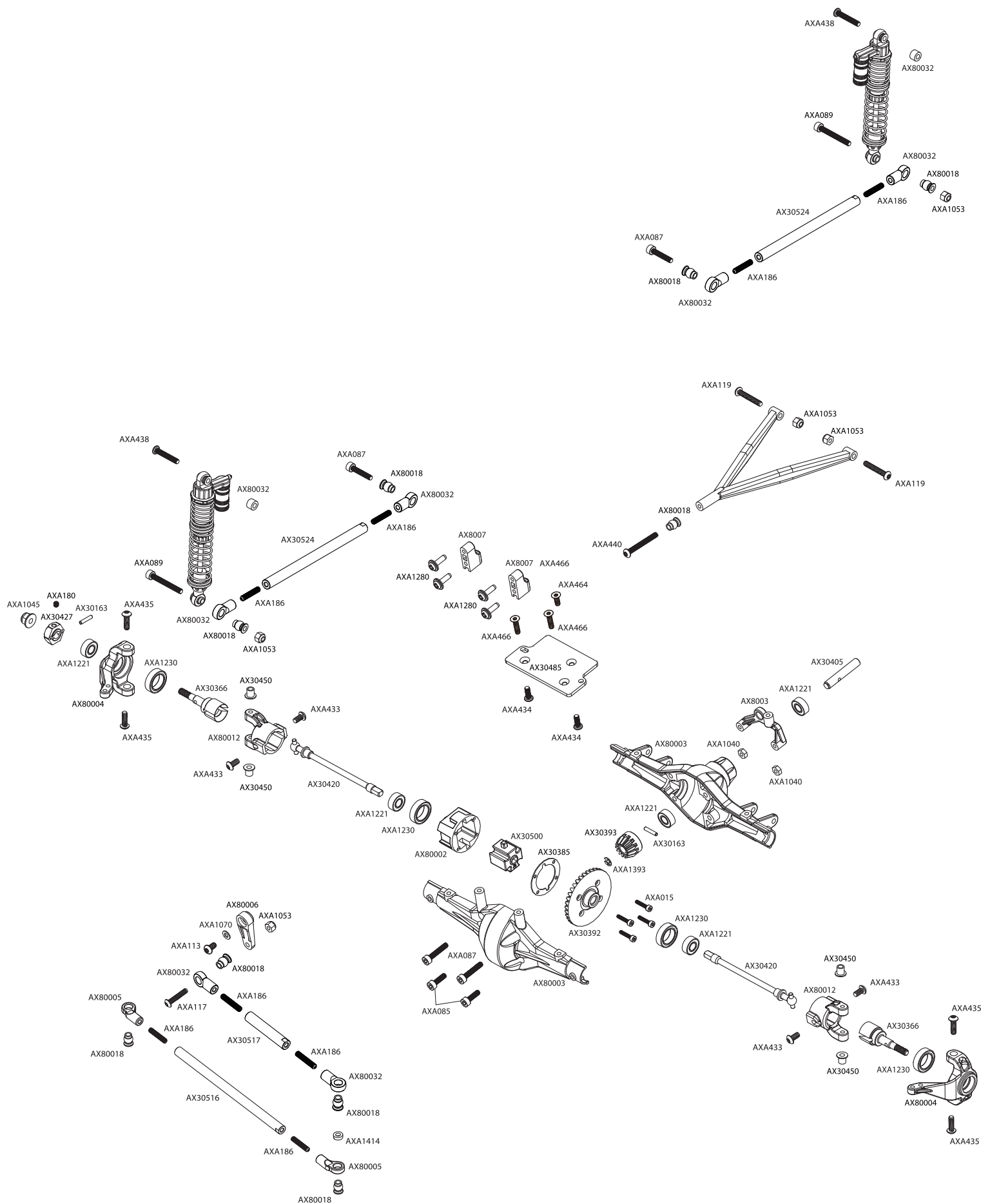
 **axial**

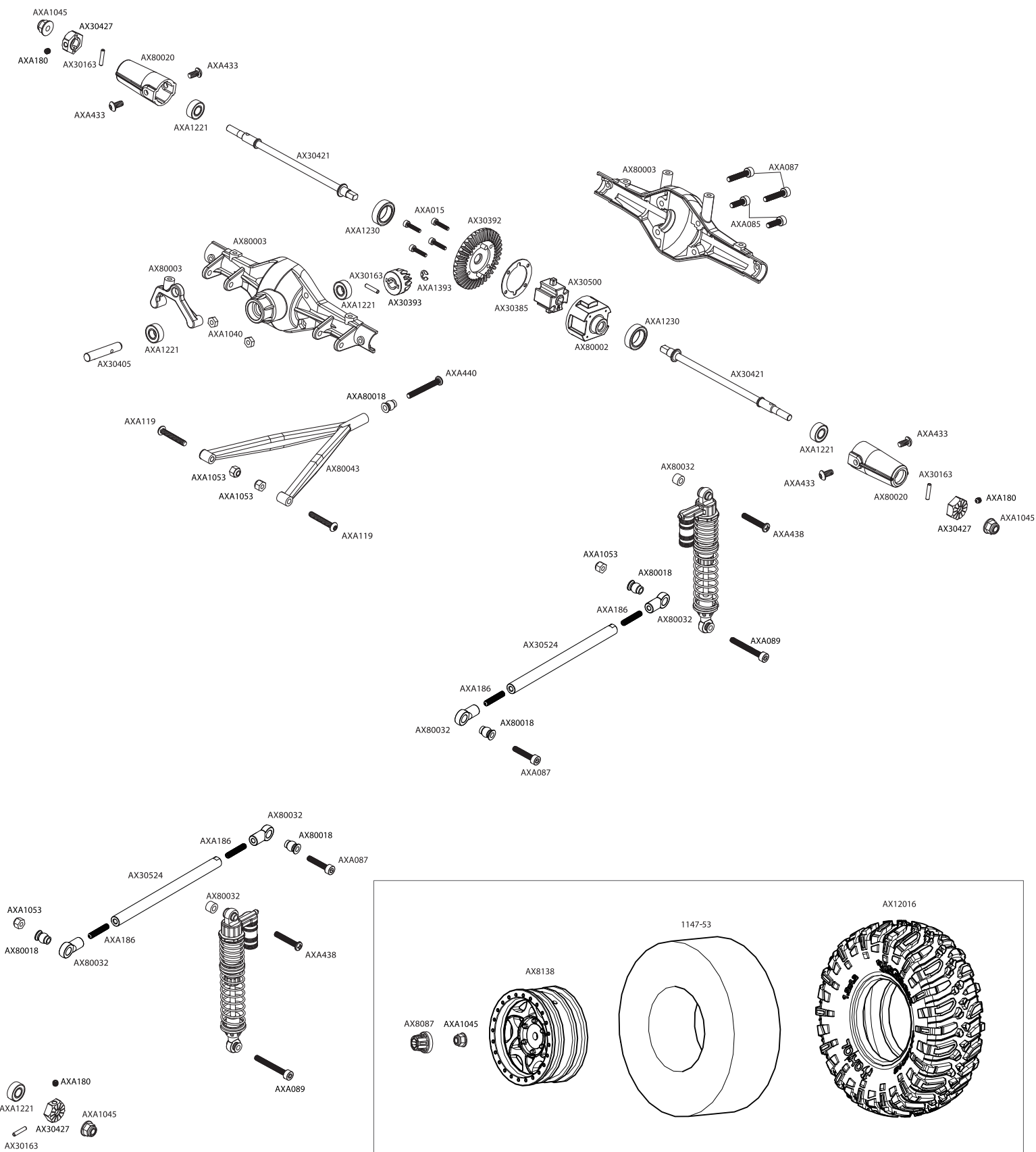
www.axialracing.com

Exploded View / Explosionsansicht / Vue éclatée



Exploded View / Explosionsansicht / Vue éclatée





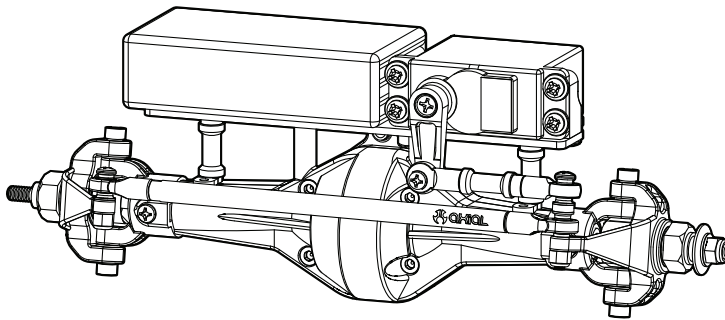
Batteries / Batterien

Optional Battery Mounting

The standard 7.2V stick pack can be mounted on the battery/radio tray as shown in the instructions. However this is not the most ideal mounting place for competitive rock crawling since it places most of the weight higher in the chassis. You can also use smaller packs (LiPo, Lithium Ion, receiver packs, etc.) that offer a much lower weight. Ideally you want the bulk of the weight to be over the front axle. If you plan on competing or simply want to improve the performance of your AX10 Scorpion it is recommended to relocate your batteries over the front axle. You can mount the battery pack on top of the steering servo using Velcro, plastic zip ties, or strapping tape. You can also mount the battery pack using the optional AX10 Scorpion Battery/Servo Plate (AX30486) as shown.

Optionale Akkubefestigung

Der normale 7,2V Stick Pack kann wie beschrieben auf die Elektronik Grundplatte montiert werden. Diese Position ist nicht der idealste Ort, da das Gewicht höher als das Chassis ist. Sie können auch kleinere Packs verwenden (LiPo, Lithium Ion, Empfängerpacks...) die leichter sind. Im Idealfall kommt das Gewicht über die Vorderachse. Wenn Sie ein Rennen mitfahren, oder die Leistung Ihres Wagens optimieren wollen wird empfohlen, die Akkus über die Vorderachse zu montieren. Sie können den Akkupack auf dem Lenkservo mit Klettverschluss, Kabelbinder oder Klebeband montieren. Sie können auch den Akku mit dem Option Part AX30486 nach Bedarf montieren.



visit www.maxamps.com for a complete selection of batteries and chargers specifically for the AX10 Scorpion.

Wheels - Tires / Räder - Ermüdet

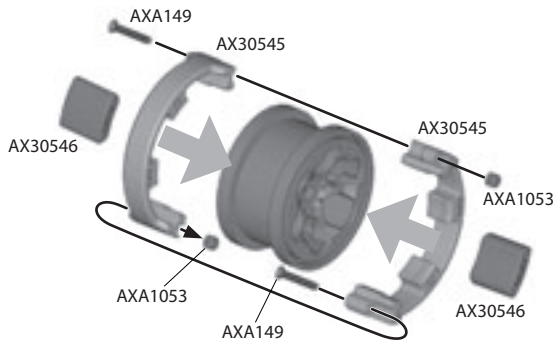
The AX10 Scorpion is set up to be competitive right out of the box, however terrain, weather and driving style all affect the performance of the chassis. You can fine tune performance of your AX10 Scorpion by adding weight, trimming the inner foam, and tuning your tires.

Der AX10 Skorpion ist konstruiert, um aus der Schachtel konkurrenzfähig zu sein, jedoch beeinflussen Gelände, Wetter und Fahrstil die Leistung vom Chassis. Sie können die Leistung Ihres AX10 Skorpion durch hinzufügen von Gewichten, Trimmen der Reifeneinlage und der Reifenabstimmung einstellen.

Adding Weight / Addiergewicht

You can add weight to the front axle to improve traction. Most users will use stick on wheel weights that fit inside the tire and mount to the wheel, but you can also use Airsoft pellets or BB's. You will have to experiment to determine how much weight to add.

Sie können an der Vorderachse Gewicht hinzufügen um die Traction zu verbessern. Die meisten Fahrer verwenden aufsteckbare Rädergewichte die innerhalb des Reifens montiert werden, Sie können aber auch Airsoft Kugeln oder BB's verwenden. Sie werden experimentieren müssen, um zu bestimmen, wieviel Gewicht Sie hinzufügen müssen.

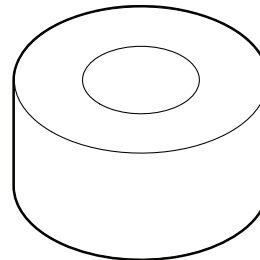


Tire Flex / Reifen Flex

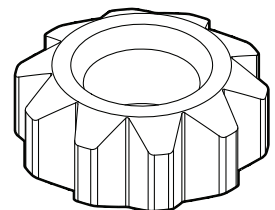
You can adjust the amount of tire flex you get by trimming your inner foam. Visit www.rccrawler.com to see all the choices you have before trimming your inner foams.

Sie können die Eigenschaften des Reifens durch trimmen der Reifeneinlage ändern. Besuchen Sie www.rccrawler.com, um Möglichkeiten für diese Änderung zu sehen, bevor Sie die Einlage bearbeiten.

Standard



Trimmed



Shock Absorbers / Dämpfer

Proper building, maintenance, and tuning of your shocks will enhance the performance of your AX10 Scorpion. Be sure to inspect the shocks regularly for any sign of wear or damage and replace parts as needed. Tune your shocks to enhance the performance of your AX10 Scorpion using the tips provided below.

Ordnungsgemäßer Zusammenbau, Wartung und Abstimmung der Dämpfer wird die Leistung Ihres AX10 Skorpion erhöhen. Prüfen Sie unbedingt regelmäßig die Dämpfer auf Verschleiß und ersetzen Sie die nötigen Teile. Stimmen Sie Ihre Dämpfer ab wie untenstehend beschrieben, um die Leistung des Wagens zu erhöhen.

Shock Oil / Dämpferöl



Thinner / Dünner	Thicker / Dicker
Softer damping More traction Quicker weight transfer Weichere Dämpfung Mehr Griff Schnellere gewichtsverlagerung	Stiffer damping Slower chassis weight transfer Reacts slower to input Härtere Dämpfung Langsamere Gewichtsverlagerung Auto reagiert langsamer auf Steuerbefehle

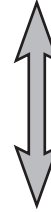


Shock Spring / Dämpferfeder / Ressort d'amortisseur

Softer / Weicher

More Chassis Roll
 Mehr rollbewegung des chassis

Soft



Firm

Less Chassis Roll
 Weniger rollbewegung des chassis
 Moins de roulis du châssis

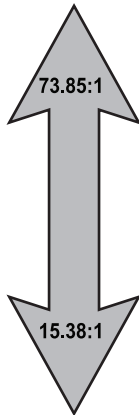
Gear Ratio / Getriebeübersetzung

Use this equation to calculate the final drive ratio.
Final Drive Gear Ratio = 1 / ((pinion/Spur) X .13)

Mit dieser Gleichung können Sie die Gesamtübersetzung berechnen.

Gesamtübersetzung = 1 / ((pinion/Spur) X .13)

Slower - More Torque
Langsamer - Mehr Kraft



Faster - Less Torque
Schneller - Weniger Kraft

		48 Pitch									
		Spur									
		70	72	75	78	81	85	87	90	93	96
Pinion	10								69.23	71.54	73.85
	11								62.94	65.03	67.13
	12							55.77	57.69	59.62	61.54
	13							51.48	53.25	55.03	56.80
	14						46.70	47.80	49.45	51.10	52.75
	15						43.59	44.62	46.15	47.69	49.23
	16						40.87	44.62	43.27	44.71	46.15
	17						36.32	39.37	40.72	42.08	43.44
	18					34.62	34.41	37.18	38.46	39.74	41.03
	19					32.79	34.41	35.22	36.44	37.65	38.87
	20					31.15	32.69	33.46	34.62	35.77	36.92
	21				28.57	29.67	31.14	31.87	32.97	34.07	35.16
	22				27.27	28.32	29.72	30.42	31.47	32.52	33.57
	23				26.09	27.09	28.43	29.10	30.10	31.10	32.11
	24			24.04	25.00	25.96	27.24	27.88	28.85	29.81	30.77
	25			23.08	24.00	24.92	26.15	26.77	27.69	28.62	29.54
	26			22.19	23.08	23.96	25.15	25.74	26.63	27.51	28.40
	27		20.51	21.37	22.22	23.08	24.22	24.79	25.64	26.50	27.35
	28		19.78	20.60	21.43	22.25	23.35	23.90	24.73	25.55	26.37
29	18.57	19.10	19.89	20.69	21.49	22.55	23.08	23.87	24.67	25.46	
30	17.95	18.46	19.23	20.00	20.77	21.79	22.31	23.08	23.85	24.62	
31	17.37	17.87	18.61	19.35	20.10	21.09	21.59	22.33	23.08	23.82	
32	16.83	17.31	18.03	18.75	19.47	20.43	20.91	21.63	22.36	23.08	
33	16.32	16.78	17.48	18.18	18.88	19.81	20.28	20.98	21.68	22.38	
34	15.84	16.29	16.97	17.65	18.33	19.23	19.68	20.36	21.04	21.72	
35	15.38	15.82	16.48	17.14	17.80	18.68	19.12	19.78	20.44	21.10	

Parts List

Part #	Description	Part #	Description
AX08138	1.9 Walker Evans Street Wheel - Black (2pcs)	AX80078	Transmission Spur Gear Cover
AX12016	1.9 Ripsaw Tires - R35 Compound (2pcs)	AX80084	WB8 Driveshaft
AX30031	Antenna	AX8079	Axial Hub Cover Set - Black (4pcs)
AX30041	Velcro Strap 15x160mm	AXA0113	M3x6mm Hex Socket Button Head (Black) (10pcs)
AX30146	Shock Shaft 3x50 (2pcs)	AXA013	M2x6mm Cap Head (Black Oxide)
AX30162	Pin 1.5x8mm (6pcs.)	AXA015	M2x10mm Cap Head (Black Oxide)
AX30163	Pin 2.0x10 (6pcs.)	AXA0175	Screw Shaft M3x2.5x11mm (10pcs)
AX30166	Pin 1.5x11mm (6pcs)	AXA0414	M2.6x10mm Hex Socket Tapping Flat Head (Black) (10pcs)
AX30190	Shaft 5x18 (2pcs.)	AXA083	M3x6mm Cap Head (Black Oxide)
AX30198	Slipper Drive gear Shaft 5x53.5	AXA085	M3x10mm Cap Head (Black Oxide)
AX30200	Spring 12.5x20mm 3.6 lbs/in - Super Soft (Red)	AXA087	M3x16mm Cap Head (Black Oxide)
AX30207	Spring 12.5x40mm 4.08 lbs/in - Medium (Green)	AXA088	M3x20mm Cap Head (Black Oxide)
AX30366	Axle 5x35mm	AXA089	M3x25mm Cap Head (Black Oxide)
AX30385	Diff Gasket 16x25x0.5mm (2pcs)	AXA091	M3x30mm Cap Head - Black (10pcs)
AX30392	Bevel Gear Set (38/13)	AXA1040	M3 Thin Hex Nut (BLACK)
AX30394	20T Drive Gear	AXA1045	M4 Nylon Lock Nut (Black)
AX30408	Input Shaft 5x29mm (2pcs)	AXA1052	M3 Thin Nylon Locking Hex Nut (Black)
AX30410	Inner Slipper Plate	AXA1053	M3 Nylon Locking Hex Nut (BLACK)
AX30411	Outer Slipper Plate	AXA1059	6mm Body clip (Black)
AX30412	Slipper pad 27x8x1mm	AXA1070	Washer 3x6x0.5
AX30413	Slipper spring 8.5x12 165 lbs/in - Black (2pcs)	AXA1071	Washer 4x8x0.5mm
AX30420	Solid Axle Dogbone 6x74mm	AXA1091	Washer 5x10x.5 (Black) (10pcs)
AX30421	Straight Axle 6x104.50mm (2pcs)	AXA1163	O-Ring 7x1mm
AX30427	Axial Narrow 12mm Aluminum Hub - Black (4pcs)	AXA117	M3x15mm Hex Socket Button Head (Black) (10pcs)
AX30435	Steel Outdrive Shaft Set (2pcs)	AXA1179	O-Ring 2.5x1.5mm (10pcs)
AX30450	Flange Pipe 3x4.5x5.5 (4pcs.)	AXA119	M3x20mm Hex Socket Button Head (Black) (10pcs)
AX30463	WB8 Universal Joint Rebuild Kit (2pcs)	AXA120	M3x25mm Hex Socket Button Head (Black) (10pcs)
AX30483	AX10 Scorpion Radio Plate	AXA1218	Bearing 5x10x4mm
AX30485	AX10 Scorpion Servo Plate	AXA1221	Bearing 5x11x4mm
AX30491	AX10 RTR Motor Plate	AXA1225	Bearing 8x16x5mm
AX30499	Transmission Spacer 5x6.9x4.8mm - Grey (2pcs)	AXA1230	Bearing 10x15x4mm
AX30500	Heavy Duty Locker (2pcs)	AXA1280	M3x10mm Servo Flange Screw
AX30502	SCX10 Chassis Rail Set (2pcs)	AXA1358	Shock Damper 3x7x8 (10pcs)
AX30517	Threaded Aluminum Pipe 6x33mm - Grey (2pcs.)	AXA1392	E2 e-clip (10pcs)
AX30524	Threaded Aluminum Pipe 6x91mm - Grey (2pcs)	AXA1393	E2.5 e-clip (10pcs)
AX30578	Pinion 48DP 20T	AXA1414	2x6mm Spacer - Grey (6pcs)
AX30672	Spur 48DP 87T	AXA144	M3x8mm Hex Socket Flat Head (Black) (10pcs)
AX30784	WB8 Driveshaft Coupler Set	AXA176	Screw Shaft M3x2.5x12mm (10pcs)
AX4010	Axial Dingo Truck Body - .040" uncut (Clear)	AXA180	M3x3mm Set Screw (Black Oxide) (10pcs)
AX80002	Diff Case -Small	AXA186	M3x16mm Set Screw (Black) (10pcs)
AX80003	Solid Axle Set	AXA433	M3x6mm Hex Socket Tapping Button Head (Black) (10pcs)
AX80004	Hub Set	AXA434	M3x8mm Hex Socket Tapping Button Head (Black) (10pcs)
AX80005	Linkage Set	AXA435	M3x10mm Hex Socket Tapping Button Head (Black) (10pcs)
AX80006	Servo Set	AXA436	M3x12mm Hex Socket Tapping Button Head (Black) (10pcs)
AX80009	Transmission Set	AXA438	M3x18mm Hex Socket Tapping Button Head (Black) (10pcs)
AX80010	Gear Set	AXA440	M3x25mm Hex Socket Tapping Button Head (Black) (10pcs)
AX80011	Drive Shaft Set	AXA463	M3x6mm Hex Socket Tapping Flat Head (Black) (10pcs)
AX80012	C Hub Carrier Set	AXA464	M3x8mm Hex Socket Tapping Flat Head (Black) (10pcs)
AX80018	Hardware Parts Tree	AXA465	M3x10mm Hex Socket Tapping Flat Head (Black) (10pcs)
AX80020	Straight Axle Adapter Parts Tree	AXA466	M3x12mm Hex Socket Tapping Flat Head (Black) (10pcs)
AX80025	SCX10 Shock Hoops Parts Tree		
AX80026	SCX10 Frame Brace Set		
AX80027	SCX10 Battery Tray Holder		
AX80028	SCX10 Radio Box Parts Tree		
AX80029	Shock Cap Parts Tree		
AX80030	61-90 Shock Body Set		
AX80031	Body Mount Parts Tree		
AX80032	Shock Parts		
AX80039A	1/10th Scale Front Plate Bumper Set		
AX80039B	1/10th Scale Rear Plate Bumper Set		
AX80040	1/10th Scale Fender Flare Set (2pcs)		
AX80041	1/10th Scale Rock Rails Set (2pcs)		
AX80042	1/10th Scale Roll Cage		
AX80043	SCX10 RTR Links Parts Tree		

Option parts/upgrades

AX24004	Axial 27T Electric Motor
AX04026	Hardline Crawler Body - .040" (Clear)
AX04028	Wraith Interior Set - .040" (Clear)
AX24007	Axial 55T Electric Motor
AX24206	2.4GHz Radio System (2 Channel) (AX-3, AR-3)
AX24251	Axial NVS - Night Visions System
AX24252	Axial Double LED Light String (White LED)
AX24253	Axial Double LED Light String (Red LED)
AX24254	Axial Double LED Light String (Orange LED)
AX24255	Axial Single LED Light String (White LED)
AX24256	Axial 5 LED Light String (White LED)
AX24257	Simple LED Controller w/LED lights

Option parts/upgrades

Part #	Description	Part #	Description
AX24259	Axial AE-2 Forward/Reverse ESC w/ Drag Brake	AX4010	Axial Dingo Truck Body - .040" uncut (Clear)
AX30200	Spring 12.5x20mm 3.6 lbs/in - Super Soft (Red) - (2pcs)	AX4010R	Axial Dingo Truck Body - .040" uncut (Clear) - Body Only
AX30201	Spring 12.5x20mm 4.32 lbs/in - Soft (White) - (2pcs)	AX4010R	Axial Dingo Truck Body - .040" uncut (Clear) - Body Only
AX30202	Spring 12.5x20mm 5.44 lbs/in - Medium (Green) - (2pcs)	AX4011	CF-100 Interior Set (clear)
AX30203	Spring 12.5x20mm 6.53 lbs/in - Firm (Yellow) - (2pcs)	AX4014	Axial XC-1 Rock Crawler Body - .040" (Clear)
AX30204	Spring 12.5x20mm 7.95 lbs/in- Super Firm (Blue) - (2pcs)	AX4016	34 Rat Rod Truck (Clear)
AX30205	Spring 12.5x40mm 2.7 lbs/in - Super Soft (Red) - (2pcs)	AX4025	Axial Trail Honcho Truck Body - .040" uncut (Clear) w/Molded Rear Cage
AX30206	Spring 12.5x40mm 3.6 lbs/in - Soft (White) - (2pcs)	AX4025	Axial Trail Honcho Truck Body - .040" uncut (Clear) w/Molded Rear Cage
AX30207	Spring 12.5x40mm 4.08 lbs/in - Medium (Green) - (2pcs)	AX4025R	Axial Trail Honcho Truck Body - .040" uncut (Clear) - Body Only
AX30208	Spring 12.5x40mm 5.44 lbs/in - Firm (Yellow) - (2pcs)	AX4025R	Axial Trail Honcho Truck Body - .040" uncut (Clear) - Body Only
AX30209	Spring 12.5x40mm 6.81 lbs/in- Super Firm (Blue) - (2pcs)	AX80039A	1/10th Scale Front Plate Bumper Set
AX30395	Heavy Duty Bevel Gear Set	AX80039B	1/10th Scale Rear Plate Bumper Set
AX30460	AX10 Scorpion Universal Joint Axle (2pcs)	AX80040	1/10th Scale Fender Flare Set
AX30461	AX10 Scorpion Universal Joint Axle Shaft (2pcs)	AX80041	1/10th Scale Rock Rails Set
AX30462	AX10 Scorpion Universal Joint Rebuild kit (2pcs)	AX80042	1/10th Scale Roll Cage
AX30464	AX10 Scorpion Universal Set (2pcs)	AX8080	Axial Hub Cover Set - Satin Chrome (4pcs)
AX30492	AX10 Scorpion Rear Steer Kit	AX8087	Axial 1.9 8 Hole Beadlocks - Black (2pcs)
AX30494	Aluminum Rear Axle Lockout (2pcs)	AX8088	Axial 1.9 8 Hole Beadlocks - Satin Chrome (2pcs)
AX30495	Aluminum C Hub Carrier - Black (2pcs)	AX8119	Axial 1.9 Beadlock Ring - Green (2pcs)
AX30496	Aluminum Knuckle - Black (2pcs)	AX8122	Axial 1.9 Beadlock Ring - Grey (2pcs)
AX30578	Pinion 48DP 20 T	AX8123	Axial 1.9 Beadlock Ring - Orange (2pcs)
AX4000	Axial War Wagon Truck Body .060 Pre-Cut Clear	AX8124	Axial 1.9 Rock Beadlock Ring -Green (2pcs)
AX4001	Axial Baja Buzzard Truck Body .060 Pre-Cut Clear	AX8127	Axial 1.9 Rock Beadlock Ring - Grey (2pcs)
AX4002	Axial Diablo Truck Body .060 Pre-Cut Clear	AX8128	Axial 1.9 Rock Beadlock Ring - Orange (2pcs)
AX4004	Axial B-17 Betty Truck Body - .060 Pre-Cut (Clear)	AXA1105	Cone Washer 3x6.9x2mm - Grey (6pcs)
AX4009	Axial Trail Ranger Truck Body - .040" (Clear)	AXA1331	Flanged Ball 3x5.8x7mm (6pcs)

Warranty Info

Axial Limited Warranty (USA)

Your Axial product is warranted to be free of defects in materials and workmanship when new. This warranty does not cover damages due to normal wear and tear, user's failure to perform routine maintenance, user error of assembly or installation, user modifications, addition of aftermarket parts or option parts. This warranty lasts as long as the original purchaser owns the product, and is not transferable (Verified by dated itemized sales receipt). In the event of a defect under this warranty, Axial will, at our discretion, repair or replace the product, provided our inspection indicates that an original defect exists. Axial reserves the right to replace any product which is no longer available with a product of comparable value and function. If Axial determines the repair is not covered under warranty guidelines, there could be a charge applied for the repair and return shipping charges.

International Customers Warranty

Please return product to the dealer where the purchase was made. If your Axial product purchase was made through an on-line retailer, any warranty issues must be taken care of by that retailer. Axial assumes no responsibility for Axial products sold internationally by on-line retailers.

Service

If you need service on your Axial product here are some simple steps to follow when sending in product in for Warranty/ Repair.

STEP 1:

Contact Axial Customer Service at 949-600-8642 Ext: 206 to receive a Return Merchandise Number (RMA#). **Note:** Axial requires the RMA# to be placed on the return merchandise box when shipped to Axial.

STEP 2:

Please write a short note explaining the issue you experienced with the product.

STEP 3:

Include your return address with a daytime phone number and /or e-mail address.

STEP 4:

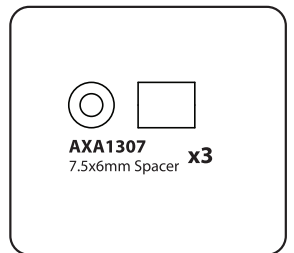
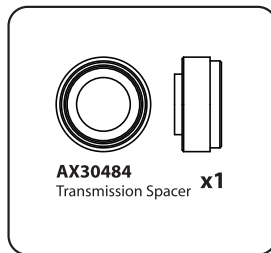
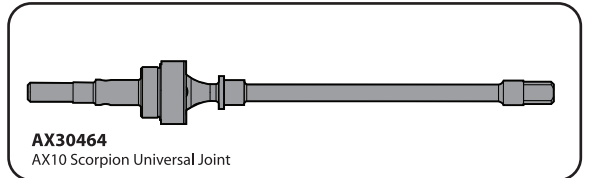
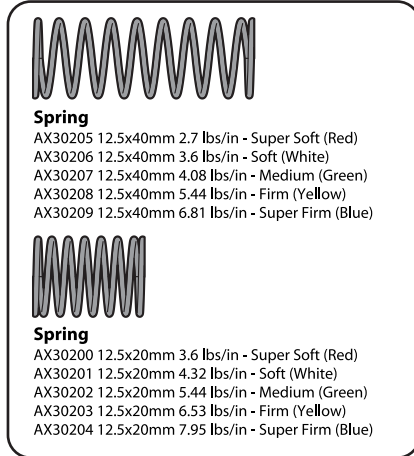
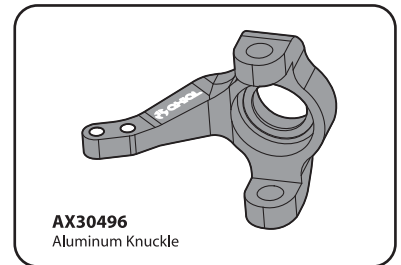
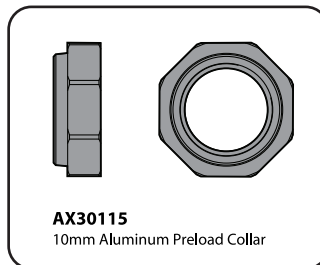
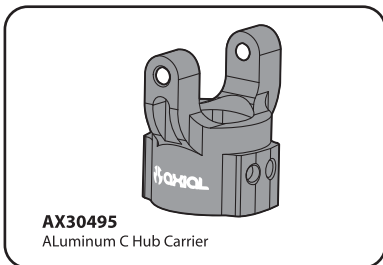
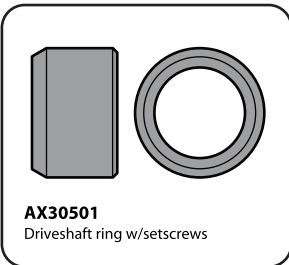
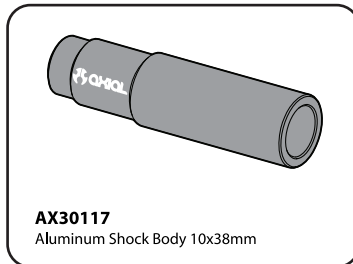
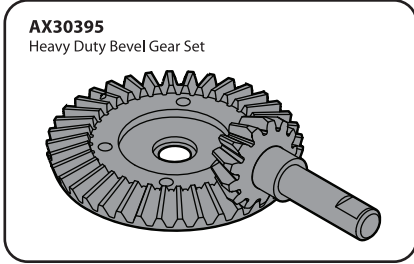
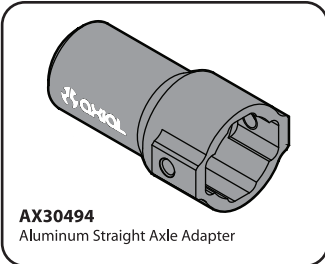
Please include a Money Order in the amount \$10.00 made payable to Axial for return shipping costs although If product is found to be under Axial Warranty coverage, the \$10.00 will be refunded to you.

PLEASE NOTE: Tuning issues are not covered under the Axial Warranty and shipping fee's do apply.

Please allow 5-10 working days for product to be returned. Axial ships using United Postal Service Priority mail or UPS Ground. Any expedited shipping must be arranged and prepaid by customer. Axial will not be responsible for lost or damaged packages.

Notes

Option Parts



DO ANYTHING, GO ANYWHERE.™



8 Goodyear
Suite 125
Irvine, CA 92618

AX90021-1001

www.axialracing.com