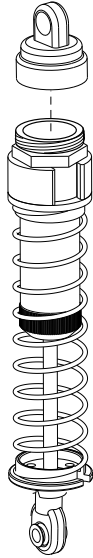
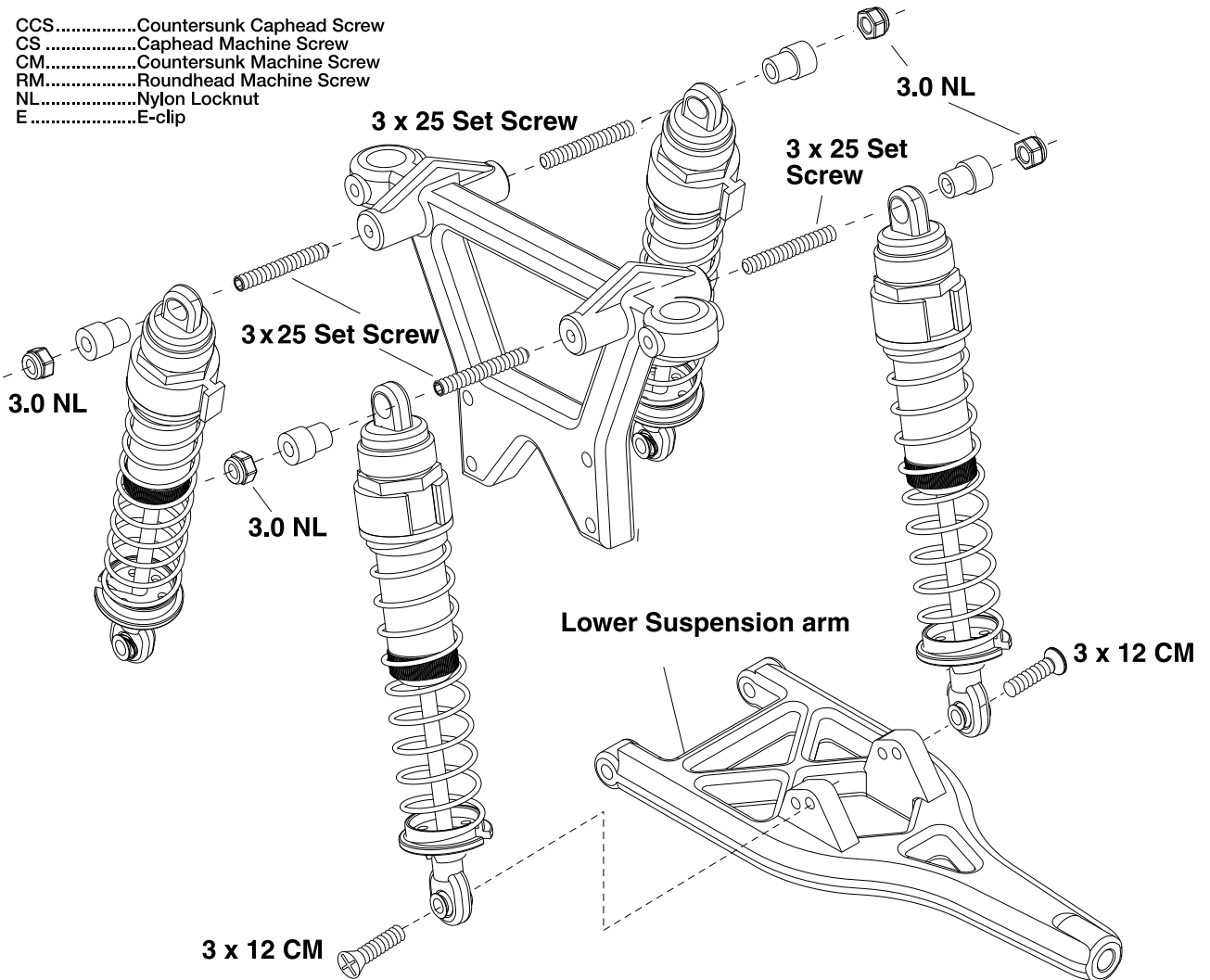


4962 Big Bore Shock Installation



- Remove the upper shock cap. Fill the shock with oil until it is about 3/4 full. SLOWLY move the piston up and down, while twisting it in the cylinder (always keeping it submerged in oil) to release the air bubbles. Be careful not to squirt oil in your face by moving the piston too rapidly.
- Finish filling the shock until the oil level is 1.5mm from the top edge of the shock body. Allow any remaining air bubbles to surface, then screw on the upper shock cap.
- Tighten the upper cap only finger tight. Over-tightening may damage the rubber diaphragm and cause leakage. Exercise the shock. It should operate smoothly and quietly. If it squeaks, remove all trapped air bubbles in the shock body by removing the upper cap and allowing the bubbles to surface and break.

CCS.....Countersunk Caphead Screw
 CSCaphead Machine Screw
 CM.....Countersunk Machine Screw
 RM.....Roundhead Machine Screw
 NL.....Nylon Locknut
 E.....E-clip



For customer assistance, call toll-free
 1-888-TRAXXAS.
 E-mail: support@traxxas.com.

