

# FlameWheel450

## User Manual

V 2.1

2013.03.13 Revision



[www.dji-innovations.com](http://www.dji-innovations.com)

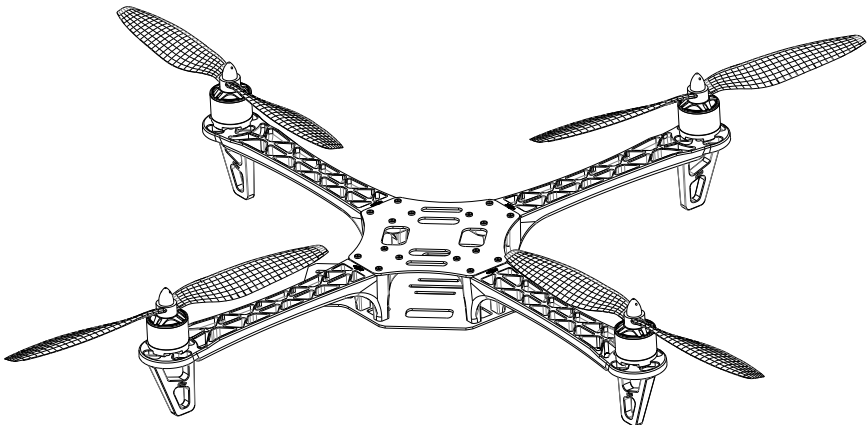
# Disclaimer

Read this disclaimer carefully before using FlameWheel450. By using this product, you hereby agree to this disclaimer and signify that you have read them fully. FlameWheel450 is an excellent multi-rotor. With a good autopilot, it will even offer tremendous flight features for low altitude flight working in restricted space. Despite the controller of autopilot operates in the safest manner when the main power battery is connected, we strongly recommend customers to remove all propellers, use power supply from R/C system or flight pack battery, and keep children away during system calibration and parameter setup. Please respect the AMA's National Model Aircraft Safety Code. DJI Innovations assumes no liability for damage(s) or injuries incurred directly or indirectly from the use of this product.

DJI FLAME WHEEL is registered trademark of DJI Innovations Names of product, brand, etc., appearing in this manual are trademarks or registered trademarks of their respective owner companies. This product and manual are copyrighted by DJI Innovations with all rights reserved. No part of this product or manual shall be reproduced in any form without the prior written consent or authorization of DJI Innovations. No patent liability is assumed with respect to the use of the product or information contained herein.

## F450 Profile

FlameWheel450 (F450) is a multi-rotor designed for all pilots for fun or AP. With DJI WKM or NAZA autopilot system, it can achieve hovering, cruising, even rolling and other flight elements. It can be applied for entertainment, aerial photography, FPV and other aero-modeling activities.



# Contents

Disclaimer.....	2
F450 Profile .....	2
Contents .....	3
Product Usage Cautions.....	3
In Box .....	4
Tools Needed .....	5
ESC Wiring.....	5
Assembly.....	6
ESC Sound Introduction .....	7
Specifications .....	7

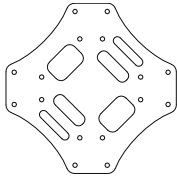
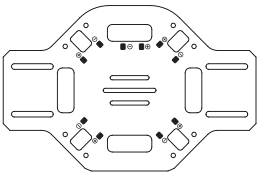
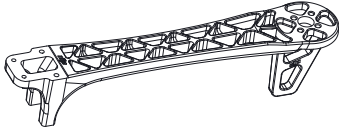
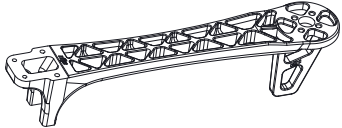
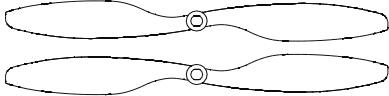
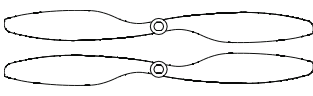
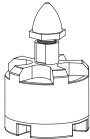
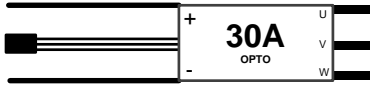
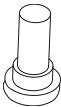
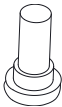
## Product Usage Cautions

**When flying, the fast rotating propellers of FlameWheel450 will cause serious damage and injury. Therefore, please fly with a high safety consciousness.**

- 1. Keep flying multi-rotor away from objects, such as obstacles, human beings, high-voltage lines and so on.**
- 2. Do not get close to or even touch the working motors and propellers, which will cause serious injury.**
- 3. Do not over load the multi-rotor.**
- 4. Check that the propellers and the motors are installed correctly and firmly before flight.**
- 5. Make sure the rotation direction of each propeller is correct**
- 6. Check whether all parts of multi-rotor are in good condition before flight. Do not fly with old or broken parts.**
- 7. Use DJI parts as much as possible.**

**If you have any problem you cannot solve during installation, please contact our customer service.**

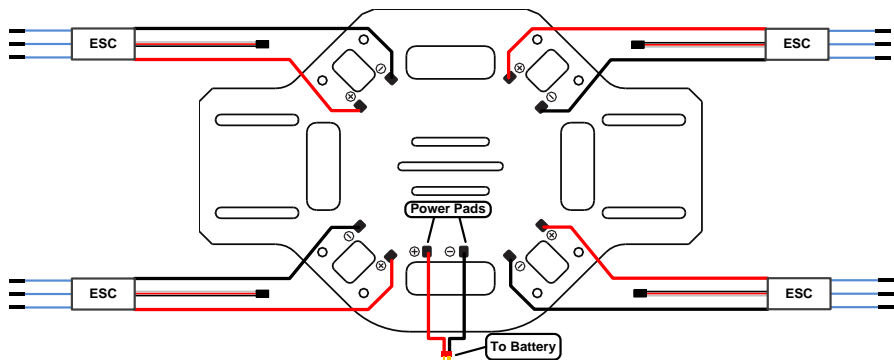
# In Box

<b>Top Board</b> <b>450FBT</b> x1	<b>Bottom Board</b> <b>450FBB</b> x1
	
<b>Frame Arms</b> <b>450FAC</b> x2	<b>Frame Arms</b> <b>450FAW</b> x2
	
<b>10in Propeller Pairs</b> <b>450P10</b> x2	<b>8in Propeller Pairs</b> <b>450P08</b> x2
	
<b>Motors</b> <b>450MOT</b> x4	<b>ESC</b> <b>450ESC</b> x4
	
<b>Screws</b> <b>450-M3x8</b> x16	<b>Screws</b> <b>450-M2.5x6</b> x24
	
<b>Magic Strap</b> <b>450MSX</b> x1, <b>Battery Band</b> <b>450BBX</b> x1 <b>Power Line Pair</b> <b>450PLP</b> x1, <b>Small Wrench</b> <b>450SW</b> x1	

# Tools Needed

2.0mm Hex Wrench	For frame and motors installation.
Screw Glue	For fastening screws.
Nylon Cable Tie	
Scissors	For binding devices and wires.
Diagonal Cutting Pliers	
Foam Double Sided Adhesive Tape	For fixing receiver, controller and other modules.
Soldering-iron & wires	For connecting ESCs' power cables to bottom board.

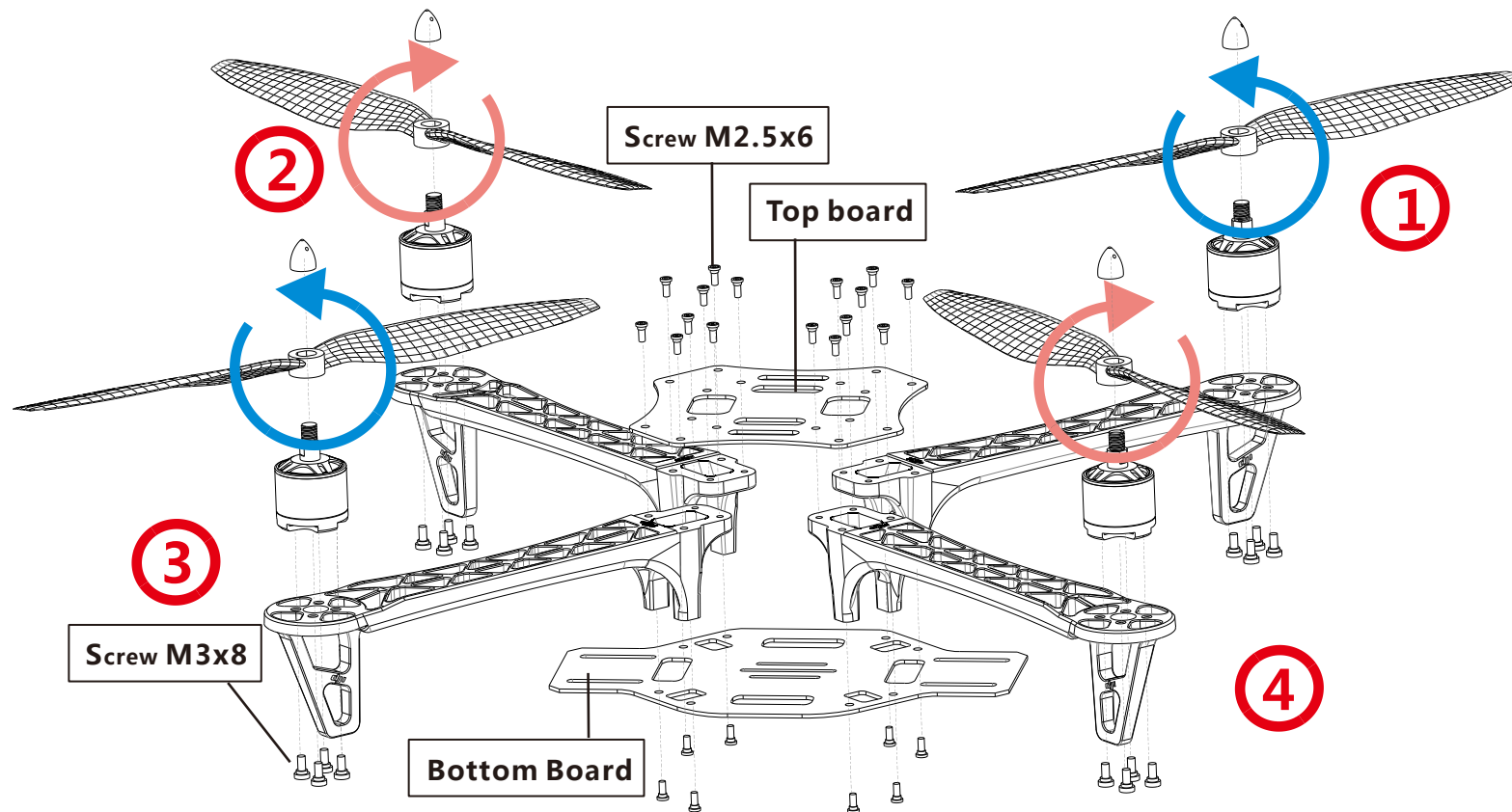
## ESC Wiring



### Important

- Please solder ESCs to power pads on bottom board as the figure shows.
- Use any insulating method at all soldering spots. Make sure there is no short or open circuit.
- Make sure the side of power pads is upward.
- Make sure the rotation direction of each motor is the same as the way in the figure of “**Assembly**” shows. If not, switch any of two wire connections of the incorrect motor to change its rotation direction.

# Assembly



Install screws by appropriate force to prevent breaking threads. Use adequate screw glue for installing screws. 

Please wire neatly. Make sure wires will not be cut by frame boards and propellers. Smooth out the boards edge if necessary.

Please install propellers after autopilot system configuration procedure. Make sure the rotation direction of propellers are the same as the figure shows. When mounting the propellers, do not use any thread locker, just tighten the nuts to the end manually then use the wrench to tighten it about 50°.

In up figure, arms ③③ front of craft, arms ②④ are back of craft. You'd better choose the same color arms for the same direction. See from top, motors on arms ①③ rotate counter-clock wise, use propellers 8045/1038; motors on arms ②④ rotate clock wise, use propellers 8045R/1038R.

# ESC Sound Introduction

ESC State	Sound
Ready	J1234567
Throttle stick is not at bottom	BBBBBB...
Input signal abnormal	B-----B-----B...
Input voltage abnormal	BB---BB---BB---BB...

## Tips:

DJI ESCs are specially designed for multi-rotors. When use with DJI autopilot systems, you do not have to setup any parameters or calibrate travel range.

# Specifications

Frame	
Diagonal Wheelbase	450mm
Frame Weight	282g
Takeoff Weight	800g ~ 1600g
ESC	
Current	30A OPTO
Signal Frequency	30Hz ~ 450Hz
Battery	3S ~ 4S LiPo
Motor	
Stator size	22×12mm
KV	920rpm/V
Propeller	10 × 3.8in (@3S); 8 × 4.5in (@4S)