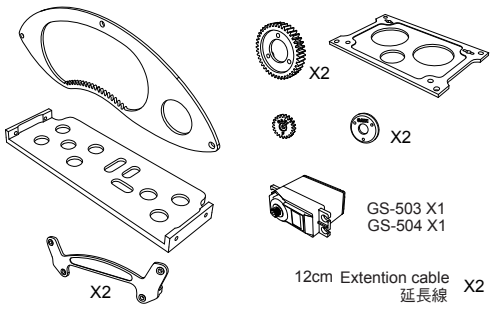
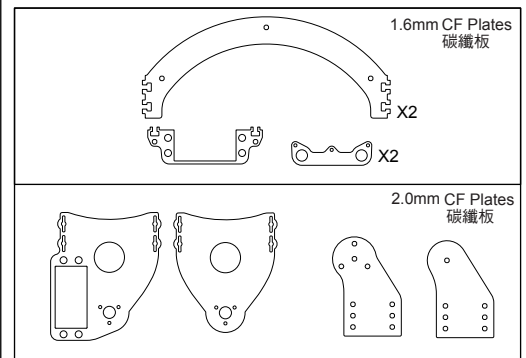


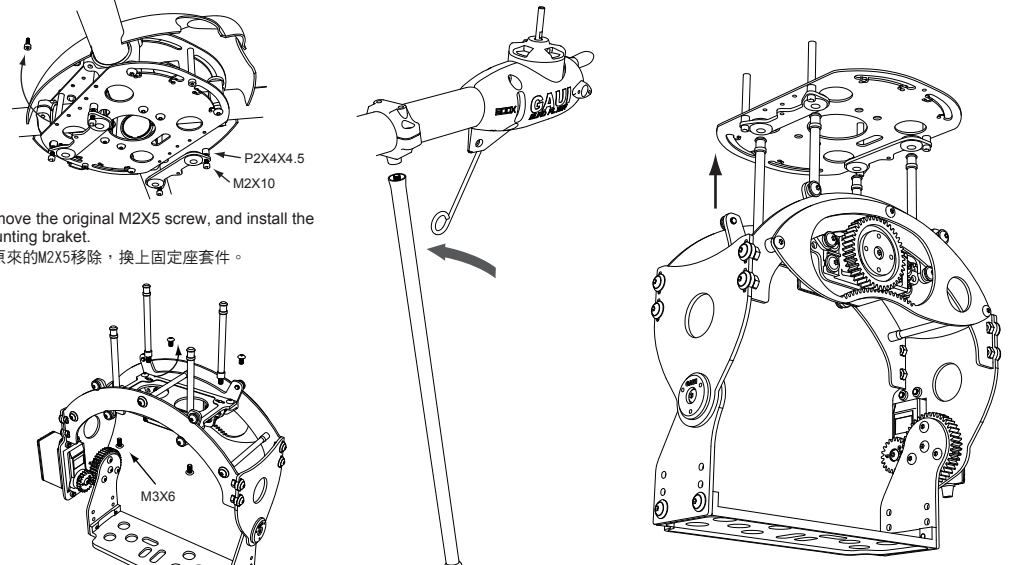
內容物 Contents

CRANE 3 Weight 重量: 312g
 Specifications: Angle control 控制角度:
 規格 Horizontal 水平 $\pm 18.5^\circ$
 Vertical 垂直 60°



- M2X10 X4
- N3X5.5 X10
- M3X5 X2
- N3X5.5L X1
- M3X6 X27
- W3.1X4.6X0.6 X1
- M3X8 X8
- W3X6X0.5 X6
- M3X10 X4
- W3X8X1 X8
- M3X12 X2
- W3X8X1 X8
- $\emptyset 3X8$ X3
- X15
- M2X4.6 X6
- NM3 X8
- P2X4X3.5 X4
- P3X6X4.2 X3
- PM3X8X13.3 X1
- X4
- F3X6X2.5 X8
- F3X8X4 X2
- X4
- X3
- X1
- X1

組裝 Assembly



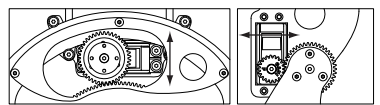
Remove the original M2X5 screw, and install the mounting bracket.
 將原來的M2X5移除，換上固定座套件。

Remove the M3X5 screws on the servo mount, replace them with aluminum posts (with thread), fix the others with M3X6 screws.
 移除固定伺服機座的M3X5兩顆螺絲，改鎖上有牙的鉛柱固定，另外兩支鉛柱以M3X6固定。

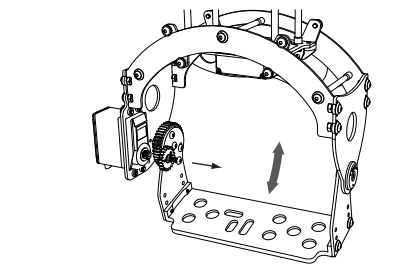
Install the extended landing pole.
 (Purchase separately)
 換上長腳架(另購)。

Insert the aluminum posts into the rubber rings of the mounting bracket.
 將鉛柱套入固定座的膠環內。

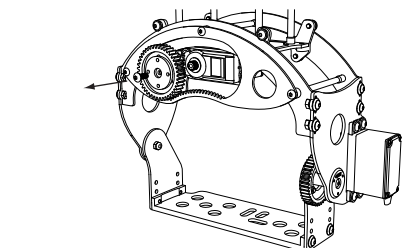
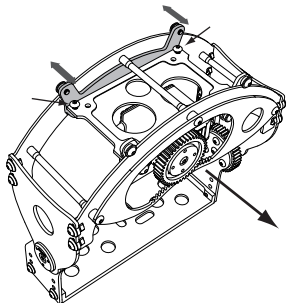
Adjustment 調整



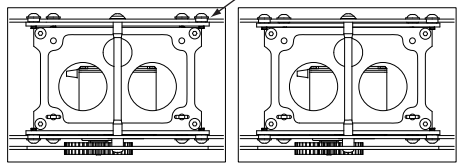
Loosen the servo for adjusting adequate gear mesh.
 (Adjustment has been done by factory.)
 鬆開伺服機調整齒輪間隙。(原廠設定完成)



Loosen the servo gears, adjust the vertical axis to the angle you need.
 鬆開伺服機舵齒輪，調整垂直軸所要控制的角度。

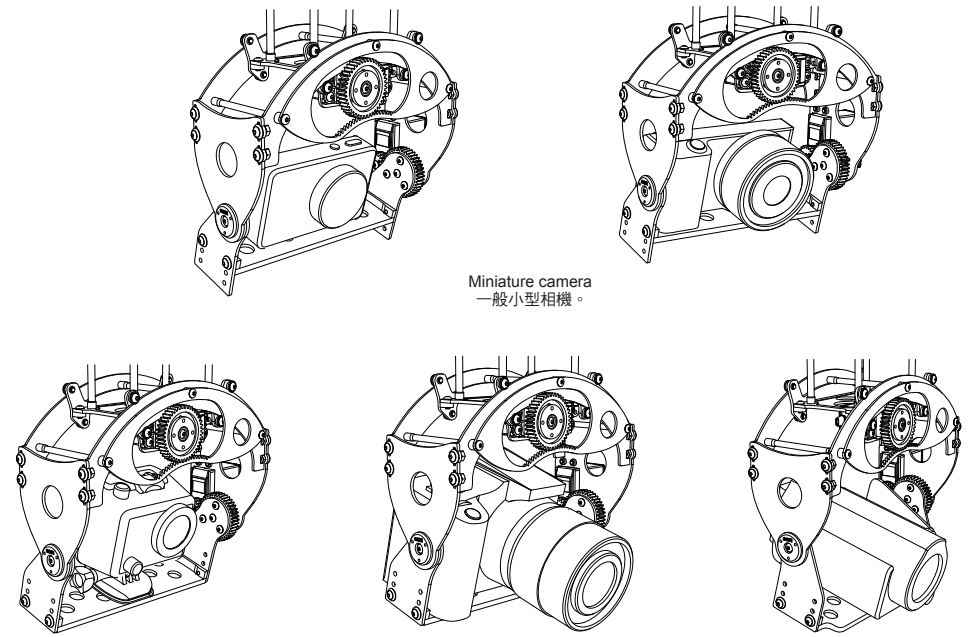


Loosen the servo gears, adjust the neutral point of the horizontal axis servo.
 鬆開伺服機齒輪，調整水平軸的中立位置。



Loosen the screw for adjusting adequate space, remove the servo gear to check if it slides smoothly. (Adjustment has been done by factory.)
 鬆開螺絲調整間隙，將伺服機齒輪拆下測試最佳滑順度。(原廠設定完成)

Applications 應用



Miniature camera
 一般小型相機。

GoPro (Use double sided tape to fix the camera as illustrated.)
 Gopro相機(利用雙面膠黏至鉛板上，如上圖)。

Standard camera
 標準相機。

Miniature video camera (Reverse the bottom plate.)
 小型攝影機。(底板轉向)